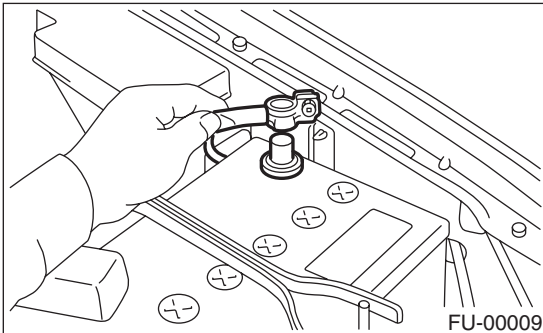


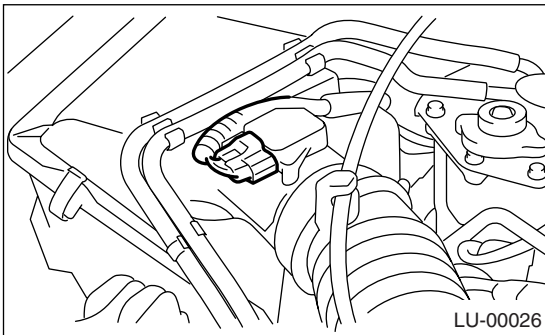
5. Oil Pan and Strainer

A: REMOVAL

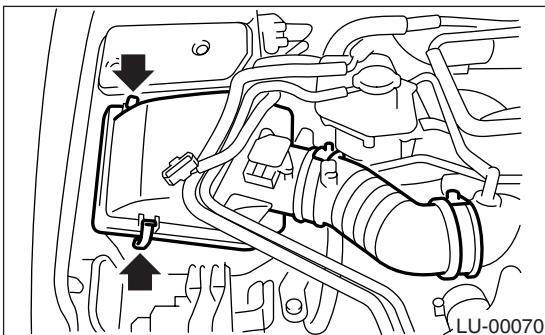
- 1) Set the vehicle on a lift.
- 2) Remove the front wheels.
- 3) Disconnect the ground cable from battery.



- 4) Disconnect the connector from mass air flow sensor.

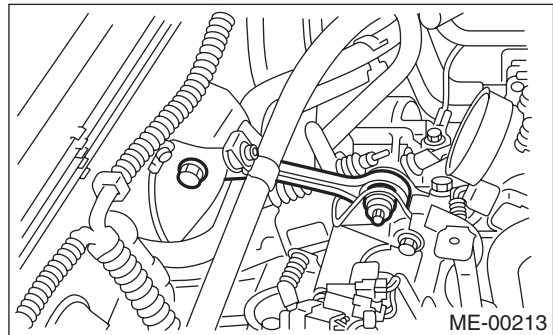


- 5) Remove the air intake boot and air cleaner upper cover.

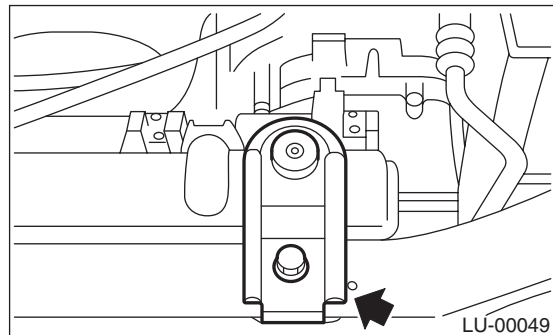


- 6) Remove the intercooler. <Ref. to IN(H4DOTC)-10, REMOVAL, Intercooler.>

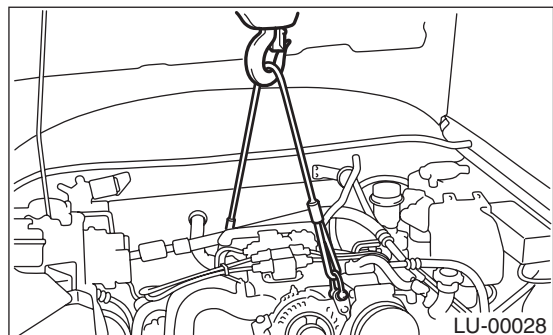
- 7) Remove the pitching stopper.



- 8) Remove the radiator upper brackets.



- 9) Support the engine with a lifting device and wire ropes.



- 10) Lift-up the vehicle.

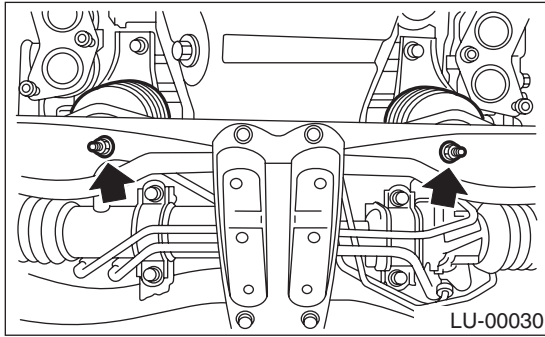
CAUTION:
When lifting up the vehicle, rise up the wire rope together.

- 11) Remove the under cover.
- 12) Drain the engine oil.

OIL PAN AND STRAINER

LUBRICATION

13) Remove the nuts which install the front cushion rubber onto front crossmember.

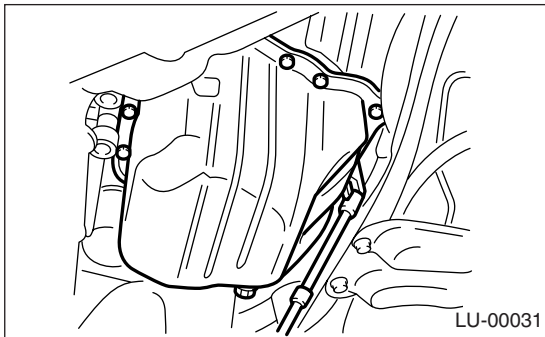


14) Remove the bolts which install the oil pan on cylinder block while raising up engine.

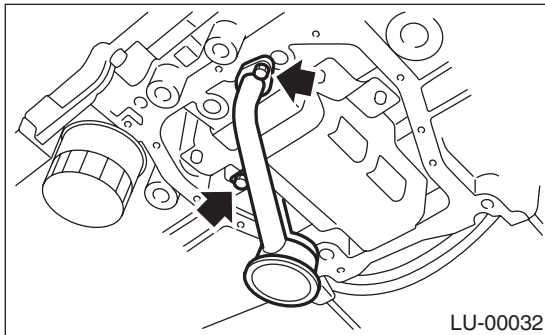
15) Insert the oil pan cutter blade between cylinder block-to-oil pan clearance.

CAUTION:

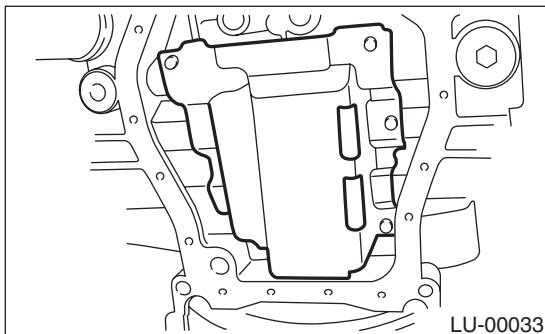
Do not use a screwdriver or similar tool in place of oil pan cutter.



16) Remove the oil strainer.



17) Remove the baffle plate.



B: INSTALLATION

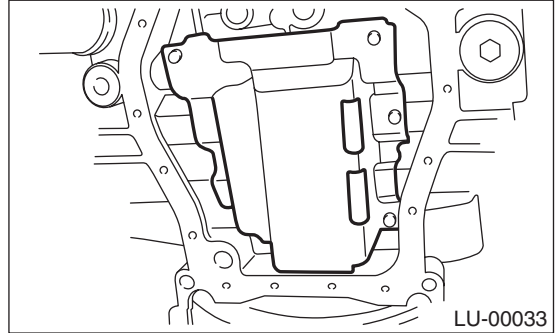
CAUTION:

Before installing the oil pan, clean sealant from oil pan and engine block.

1) Install the baffle plate.

Tightening torque:

6.4 N·m (0.65 kgf·m, 4.7 ft·lb)



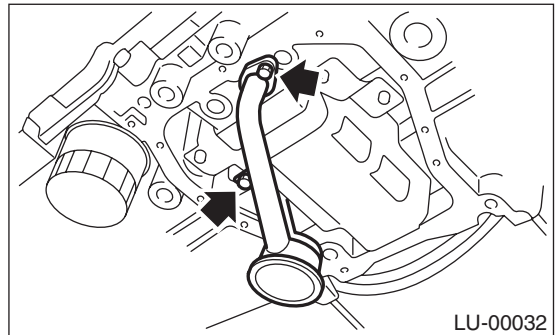
2) Install the oil strainer onto baffle plate.

NOTE:

Replace the O-ring with a new one.

Tightening torque:

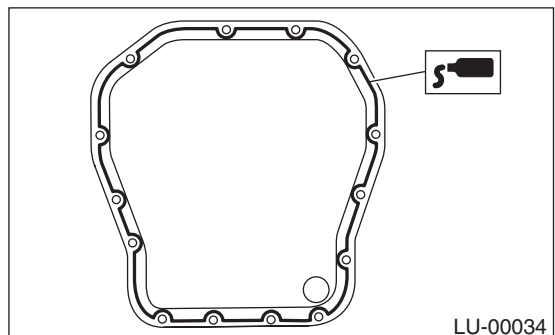
10 N·m (1.0 kgf·m, 7.2 ft·lb)



3) Apply fluid packing to the mating surfaces, and then install the oil pan.

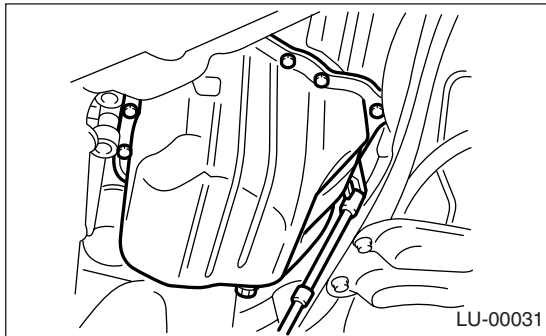
Fluid packing:

THREE BOND 1207C (Part No. 004403012) or equivalent



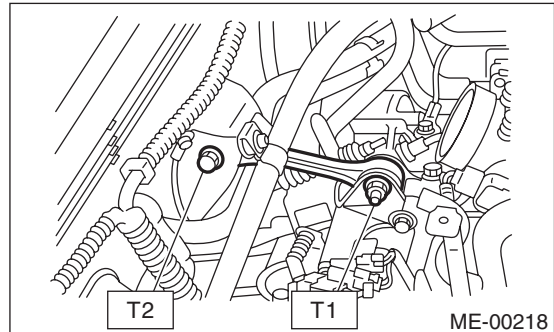
4) Tighten the bolts which install the oil pan onto cylinder block.

Tightening torque:
5 N·m (0.5 kgf·m, 3.6 ft·lb)



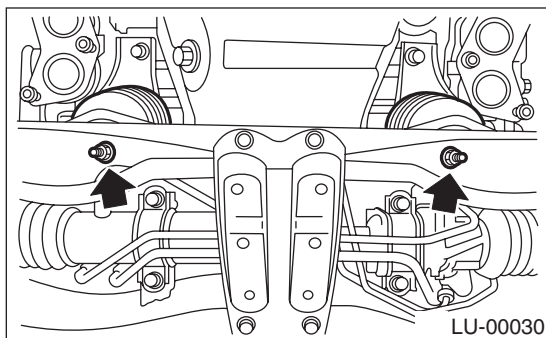
10) Install the pitching stopper.

Tightening torque:
T1: 50 N·m (5.1 kgf·m, 36.9 ft·lb)
T2: 58 N·m (5.9 kgf·m, 42.8 ft·lb)

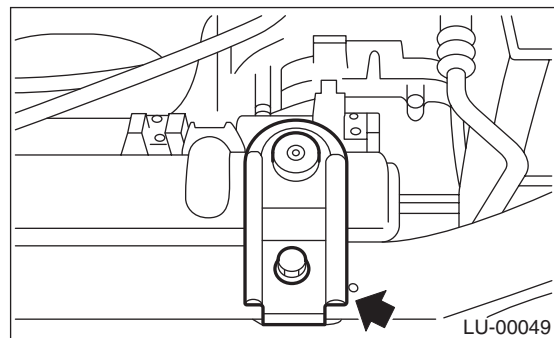


5) Lower the engine onto front crossmember.
 6) Tighten the nuts which install the front cushion rubber onto front crossmember.

Tightening torque:
83 N·m (8.5 kgf·m, 61 ft·lb)



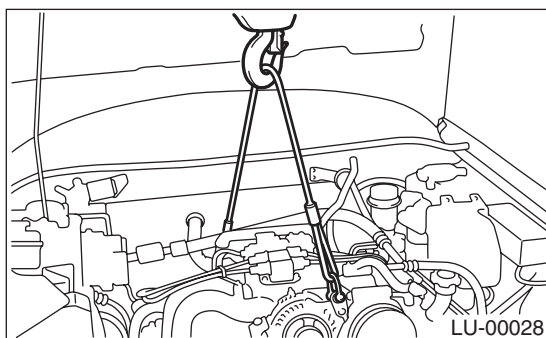
11) Install the radiator upper brackets.



7) Install the under cover.
 8) Lower the vehicle.

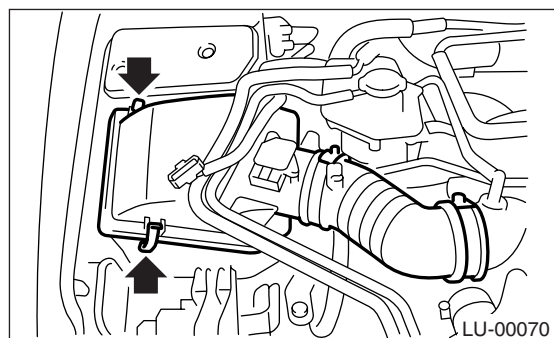
CAUTION:
When lowering the vehicle, lower the lifting device and wire rope together.

9) Remove the lifting device and steel cables.

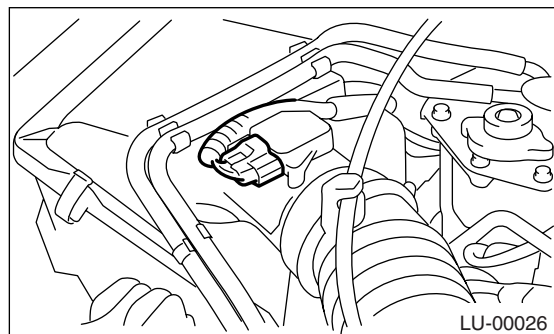


12) Install the intercooler. <Ref. to IN(H4DOTC)-11, INSTALLATION, Intercooler.>

13) Install the air intake boot and air cleaner upper cover.



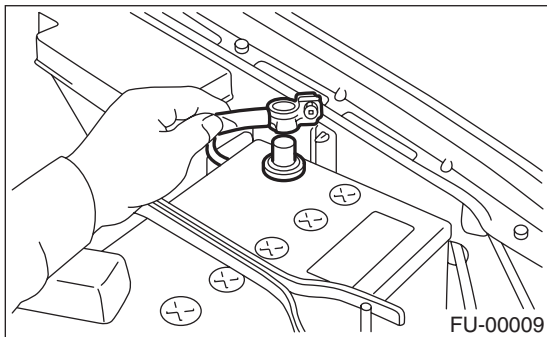
14) Connect the connector to mass air flow sensor.



OIL PAN AND STRAINER

LUBRICATION

- 15) Install the front wheels.
- 16) Connect the battery ground cable to battery.



- 17) Fill engine oil. <Ref. to LU(H4DOTC)-9, INSPECTION, Engine Oil.>

C: INSPECTION

By visual check, make sure the oil pan, oil strainer, oil strainer stay and baffle plate are not damaged.