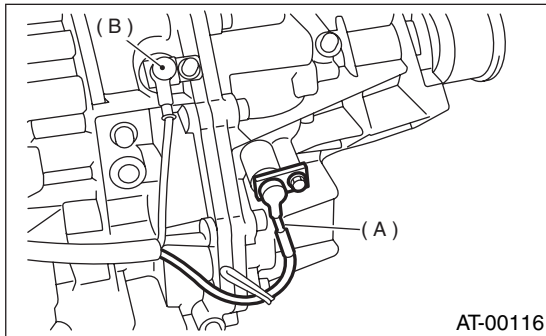


28.Extension Case

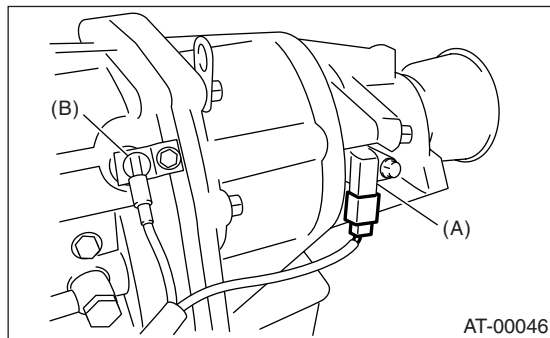
A: REMOVAL

- 1) Remove the transmission assembly. <Ref. to 4AT-39, REMOVAL.>
- 2) Remove rear vehicle speed sensor.
 - MPT MODEL



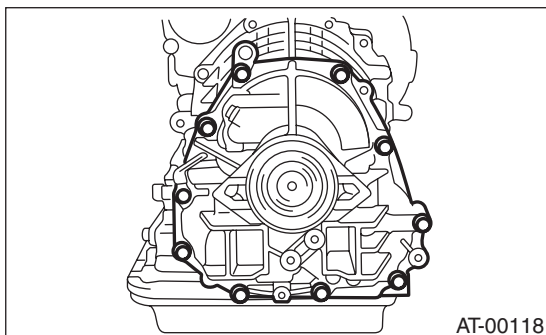
- (A) Rear vehicle speed sensor
- (B) Front vehicle speed sensor

- 3) Remove rear vehicle speed sensor connector.
 - VTD MODEL



- (A) Rear vehicle speed sensor
- (B) Front vehicle speed sensor

- 4) Separate transmission case and extension case sections.



B: INSTALLATION

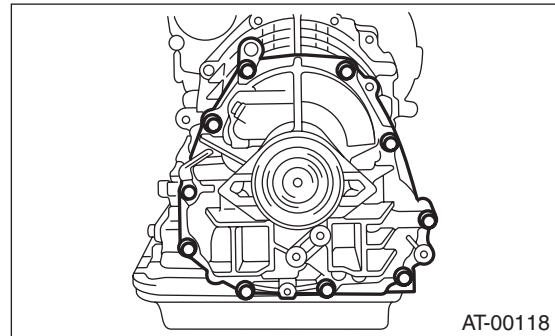
- 1) Attach the selected thrust needle bearing to the end surface of reduction drive gear with vaseline.

NOTE:

- 1) Install thrust needle bearing in the correct direction.
- 2) Install new gasket.
- 3) Install the extension case to the transmission case.
- 4) Tighten bolts to secure the case.

Tightening torque:

25 N·m (2.5 kgf-m, 18.1 ft-lb)

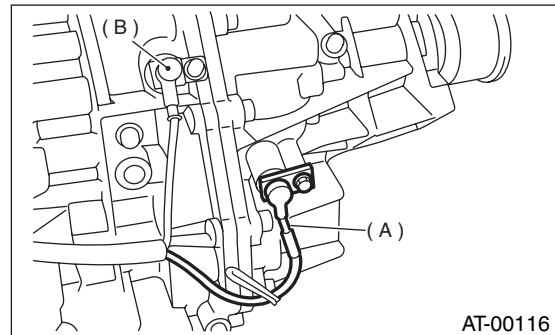


- 5) Install the rear vehicle speed sensor.

Tightening torque:

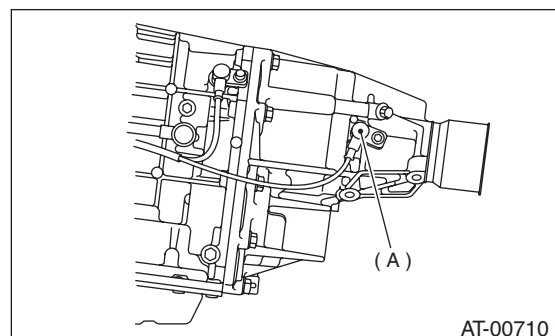
7 N·m (0.7 kgf-m, 5.1 ft-lb)

- MPT MODEL



- (A) Rear vehicle speed sensor
- (B) Front vehicle speed sensor

- VTD MODEL



- (A) Rear vehicle speed sensor

- 6) Install the transmission assembly. <Ref. to 4AT-42, INSTALLATION.>

EXTENSION CASE

AUTOMATIC TRANSMISSION

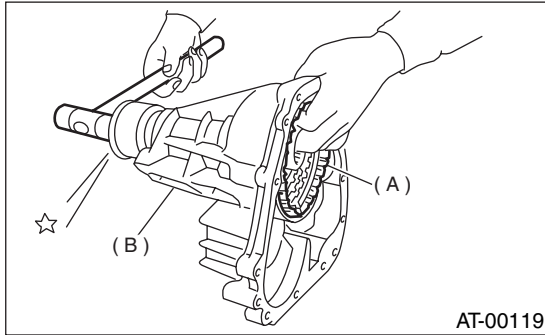
C: DISASSEMBLY

1. MPT MODEL

1) Take out the transfer clutch by lightly tapping the end of the rear drive shaft.

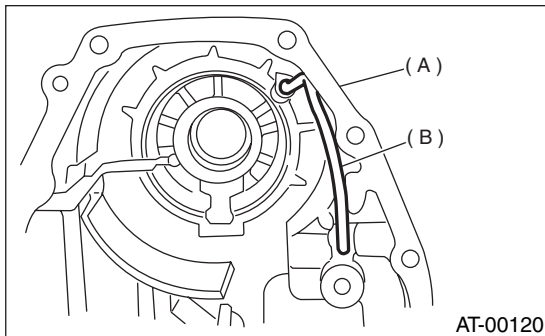
NOTE:

Be careful not to damage the oil seal in the extension.



- (A) Transfer clutch
- (B) Extension case

2) Remove the transmission clutch pipe without bending pipe.

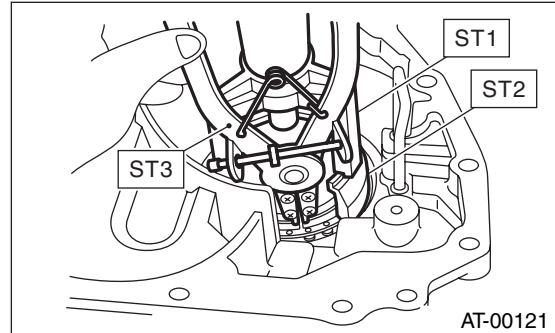


- (A) Transfer clutch pipe
- (B) Extension case

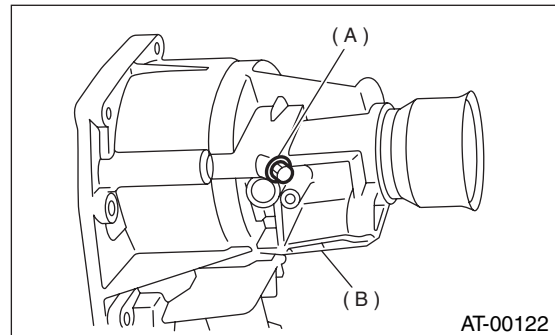
2. VTD MODEL

1) Remove snap ring using ST1, ST2, ST3 and a press.

- ST1 398673600 COMPRESSOR
- ST2 498627100 SHEAT
- ST3 398663600 PLIERS

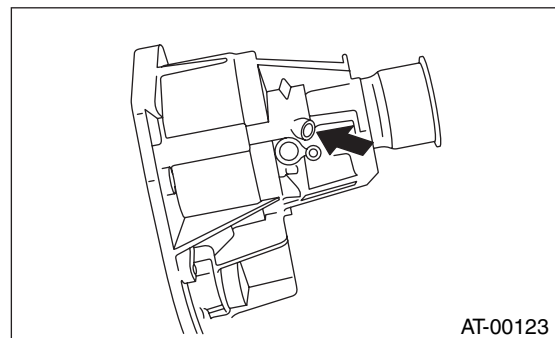


2) Remove test plug.

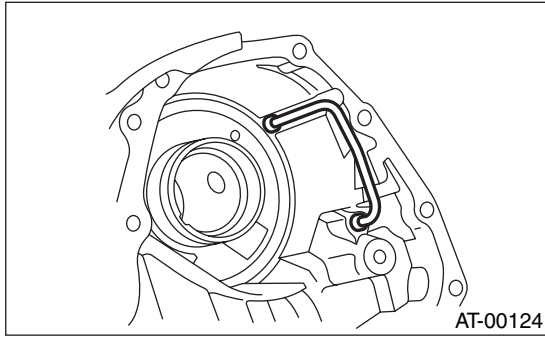


- (A) Extension case
- (B) Test plug

3) Remove clutch piston using compressed air.



4) Pay attention, not to bend pipe, and remove transfer clutch pipe.



5) Remove the dust cover from the extension case.
6) Remove the oil seal from the extension case.

D: ASSEMBLY

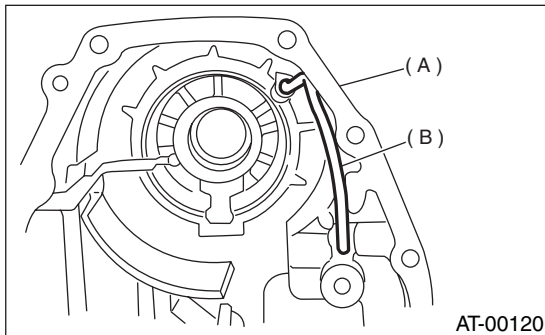
1. MPT MODEL

1) Using the ST and a press, press in a new oil seal.

ST 498057300 INSTALLER

2) Press in the dust cover.

3) Install the transfer clutch pipe to extension case without bending pipe.

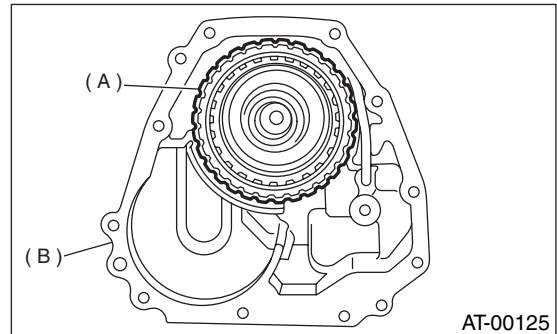


- (A) Extension case
- (B) Transfer clutch pipe

4) Install the transfer clutch assembly to the case.

NOTE:

- Be careful not to damage the seal rings.
- Insert the clutch assembly fully into position until the bearing shoulder bottoms.



- (A) Transfer clutch
- (B) Extension case

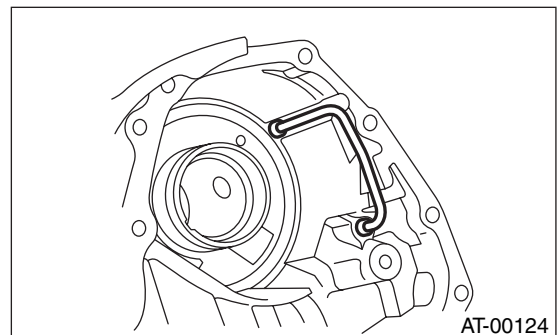
2. VTD MODEL

1) Press new oil seal using ST and a press.

ST 498057300 INSTALLER

2) Press dust cover.

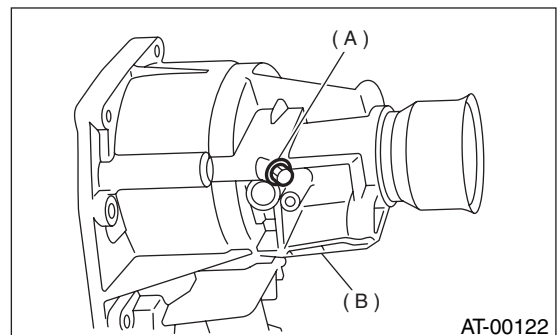
3) Install the transfer clutch pipe onto the extension case, taking care not to bend the pipe.



4) Install the test plug.

Tightening torque:

13 N·m (1.3 kgf-m, 9.4 ft-lb)

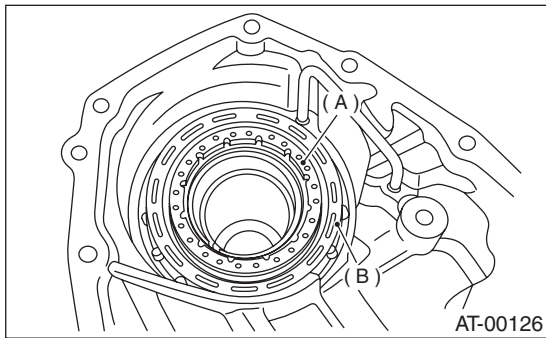


- (A) Test plug
- (B) Extension case

EXTENSION CASE

AUTOMATIC TRANSMISSION

5) Insert the multi-plate clutch, drive plates, driven plates, and spring retainer.



(A) Spring retainer

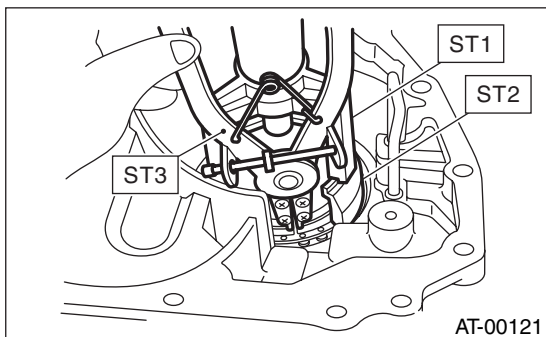
(B) Multi-plate clutch (LSD) piston assembly

6) Install the snap ring using special tools 1, 2, and 3.

ST1 398673600 COMPRESSOR

ST2 498627100 SEAT

ST3 398663600 PLIERS



E: INSPECTION

- Use forced air to make sure the transfer pipe and extension case routes are not clogged and do not leak.

- Measure the extension end play and adjust it to within specifications.

MPT model

<Ref. to 4AT-92, MPT MODEL.>

VTD model

<Ref. to 4AT-93, VTD MODEL.>