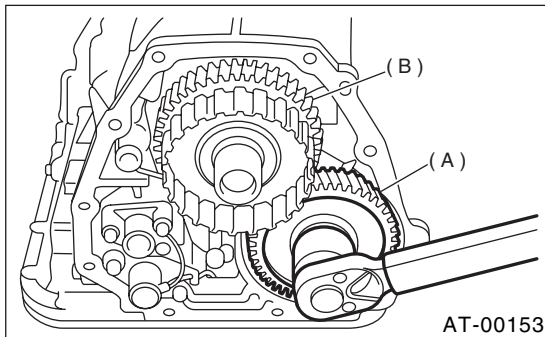


32.Reduction Driven Gear

A: REMOVAL

1. MPT MODEL

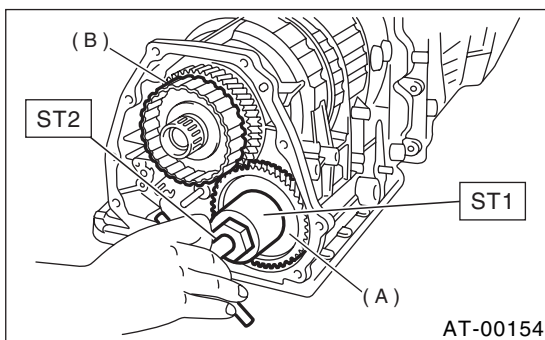
- 1) Remove the transmission assembly from the vehicle. <Ref. to 4AT-39, REMOVAL.>
- 2) Remove rear vehicle speed sensor, and separate the transmission case and extension case. <Ref. to 4AT-85, REMOVAL.>
- 3) Set the range select lever to "P".
- 4) Straighten the staked portion, and remove the lock nut.



- (A) Reduction driven gear
- (B) Reduction drive gear

- 5) Using the ST1 and ST2, extract the reduction driven gear.

ST1 499737000 PULLER
ST2 899524100 PULLER SET

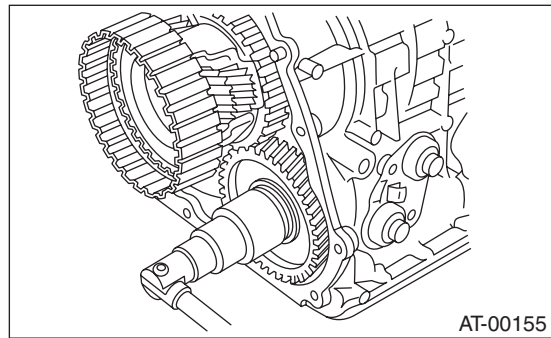


- (A) Reduction driven gear
- (B) Reduction drive gear

2. VTD MODEL

- 1) Remove the transmission assembly from the vehicle. <Ref. to 4AT-39, REMOVAL.>
- 2) Remove rear vehicle speed sensor, and separate the transmission case and extension case. <Ref. to 4AT-85, REMOVAL.>
- 3) Remove the rear drive shaft. <Ref. to 4AT-96, REMOVAL.>
- 4) Set the range select lever to "P".

- 5) Straighten the staked portion, and remove the lock nut.



- 6) Using the ST1 and ST2, extract the reduction driven gear.

ST1 499737000 PULLER
ST2 899524100 PULLER SET

- 7) Pull out the center differential assembly. <Ref. to 4AT-101, REMOVAL.>

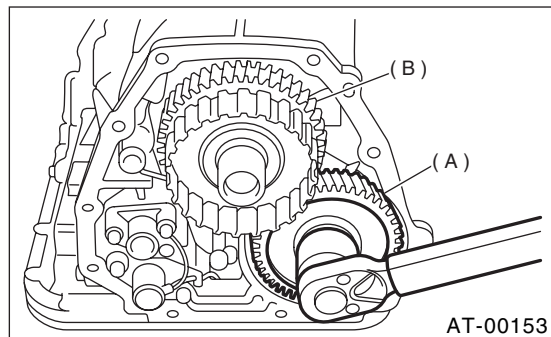
B: INSTALLATION

1. MPT MODEL

- 1) Set the select lever to "P" range.
- 2) Using a plastic hammer, install reduction driven gear assembly and new washer, and tighten new drive pinion lock nut.

Tightening torque:

100 N·m (10.2 kgf-m, 73.8 ft-lb)



- (A) Reduction driven gear
- (B) Reduction drive gear

- 3) After tightening, stake the lock nut securely.
- 4) Combine the transmission case with the extension case, and install rear vehicle speed sensor. <Ref. to 4AT-85, INSTALLATION.>
- 5) Install the transmission assembly to vehicle. <Ref. to 4AT-42, INSTALLATION.>

REDUCTION DRIVEN GEAR

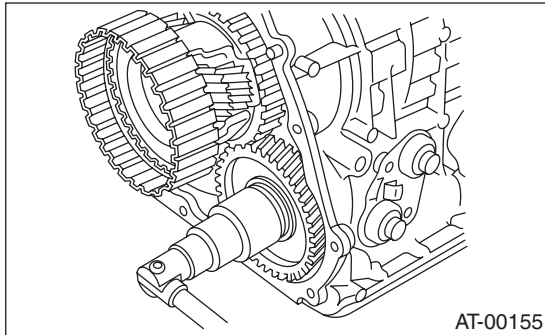
AUTOMATIC TRANSMISSION

2. VTD MODEL

- 1) Set the select lever to "P" range.
- 2) Using a plastic hammer, install reduction driven gear assembly.
- 3) Using a plastic hammer, install the center differential assembly.
- 4) Install a new self-lock nut and a washer.

Tightening torque:

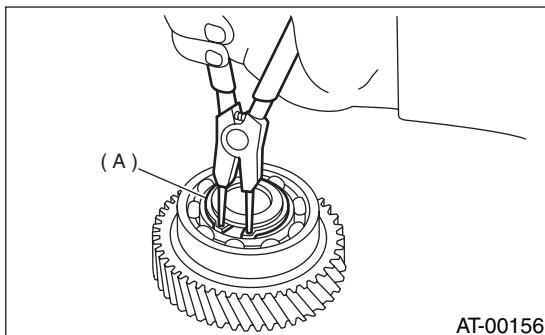
100 N·m (10.2 kgf·m, 73.8 ft·lb)



- 5) After tightening, stake the lock nut securely.
- 6) Insert the rear drive shaft assembly. <Ref. to 4AT-96, INSTALLATION.>
- 7) Combine the transmission case with the extension case, and install rear vehicle speed sensor. <Ref. to 4AT-85, INSTALLATION.>
- 8) Install the transmission assembly to vehicle. <Ref. to 4AT-42, INSTALLATION.>

C: DISASSEMBLY

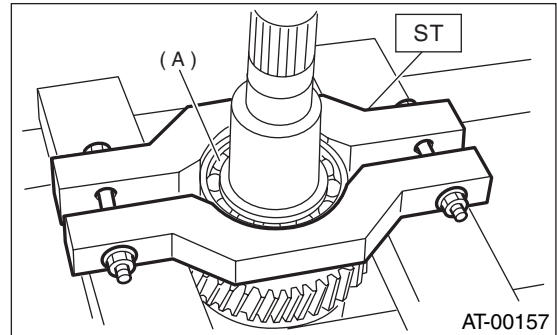
- 1) Remove snap ring from reduction driven gear.



(A) Snap ring

- 2) Using ST, remove ball bearing from reduction driven gear.

ST 498077600 REMOVER

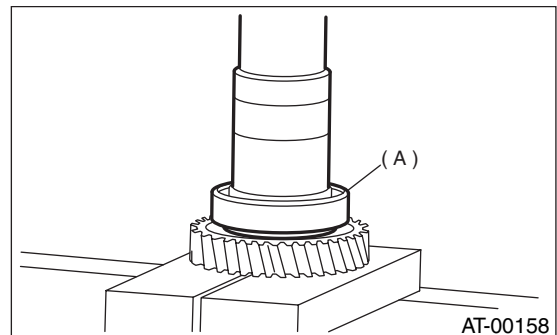


(A) Ball bearing

- 3) Remove snap ring reduction driven gear.

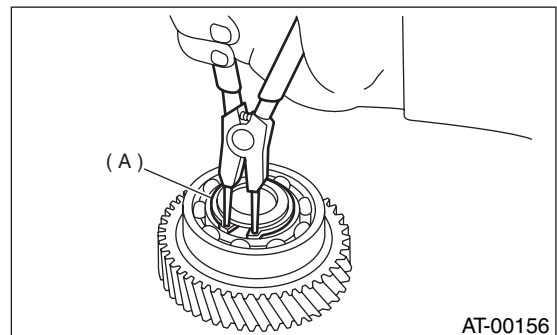
D: ASSEMBLY

- 1) Install snap ring to reduction driven gear.
- 2) Using a press, install a new ball bearing to reduction driven gear.



(A) Ball bearing

- 3) Install snap ring to reduction driven gear.



(A) Snap ring

E: INSPECTION

Check ball bearing and gear for dents or damage.