

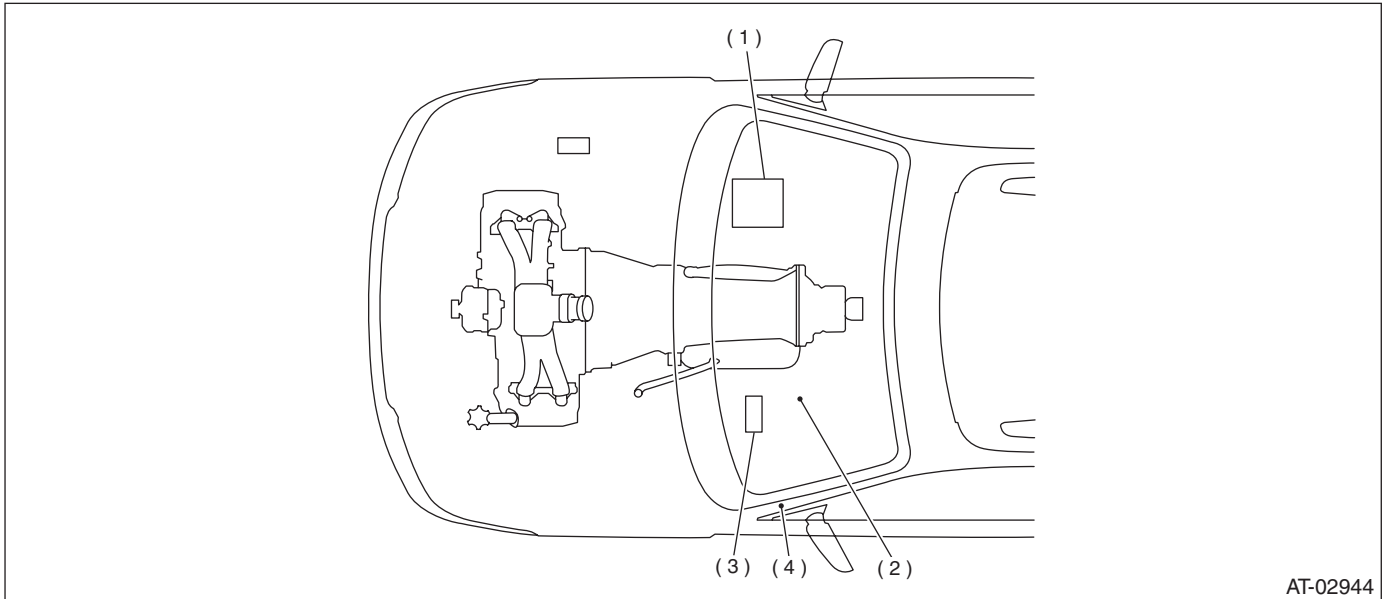
# ELECTRICAL COMPONENTS LOCATION

AUTOMATIC TRANSMISSION (DIAGNOSTICS)

## 4. Electrical Components Location

### A: LOCATION

#### 1. CONTROL MODULE

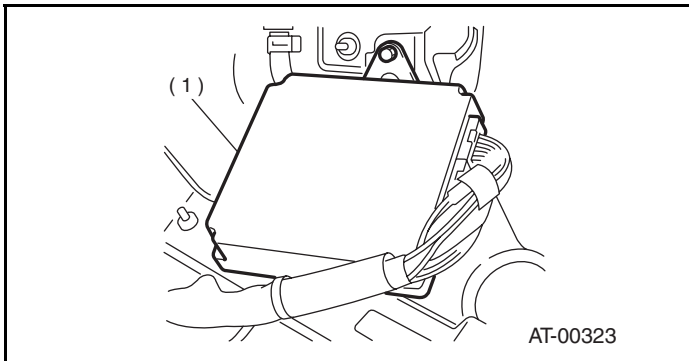


AT-02944

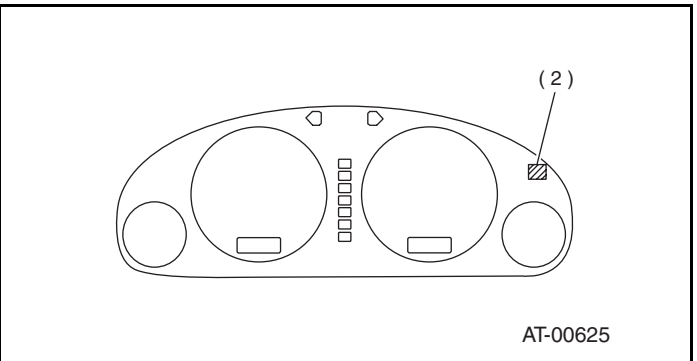
- (1) Engine control module (ECM)  
(2) AT OIL TEMP warning light (AT diagnostic indicator light)

- (3) Transmission control module (TCM)

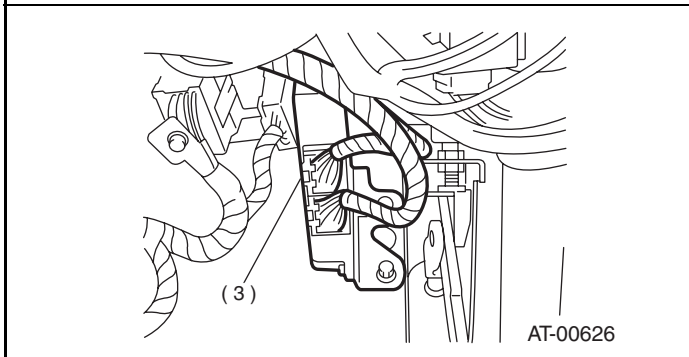
- (4) Data link connector



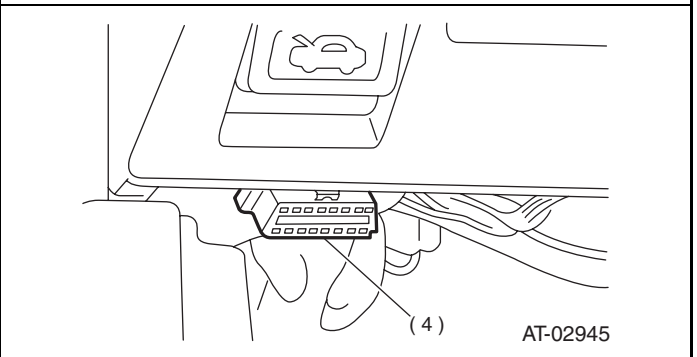
AT-00323



AT-00625



AT-00626

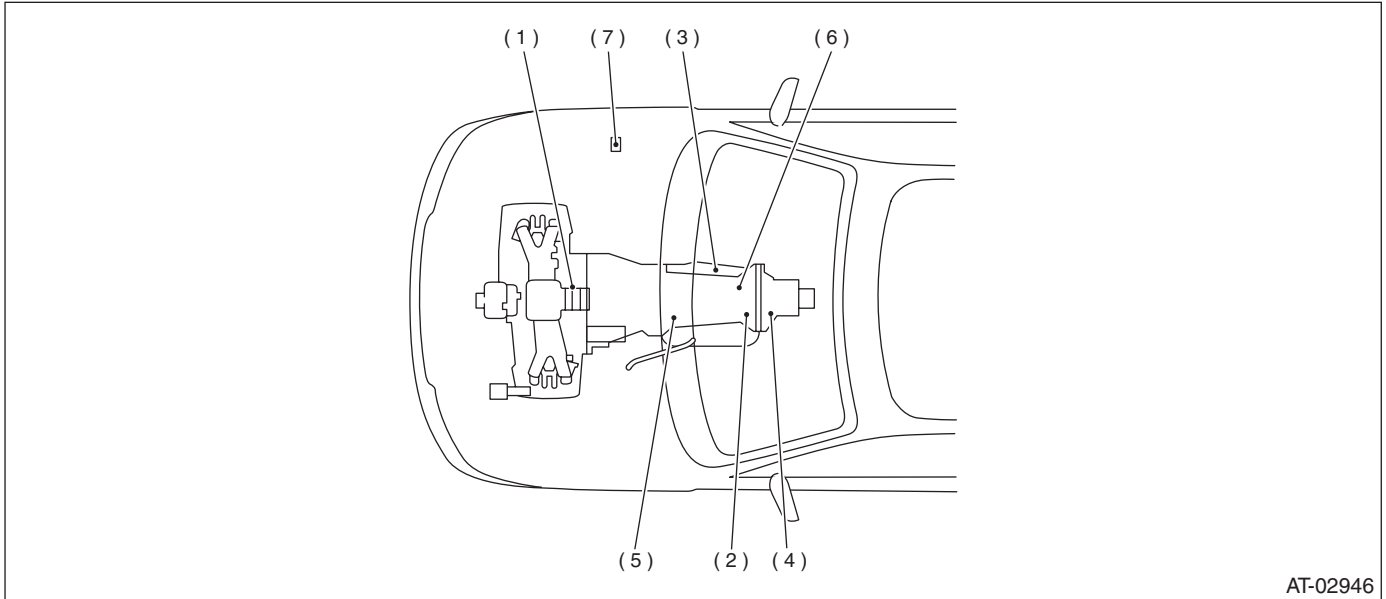


AT-02945

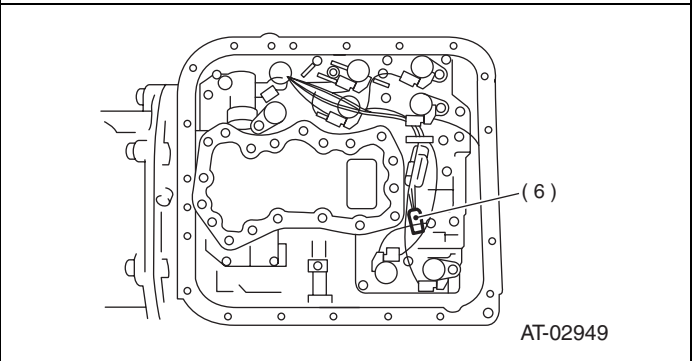
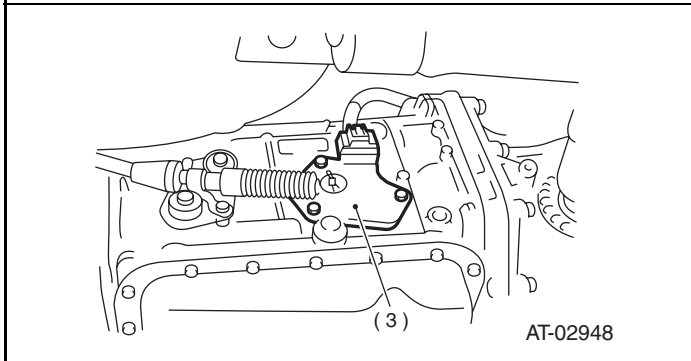
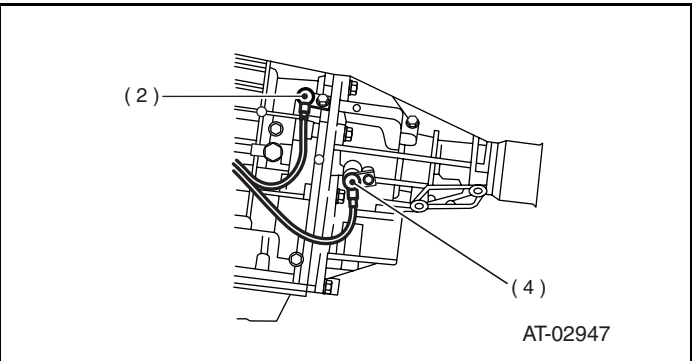
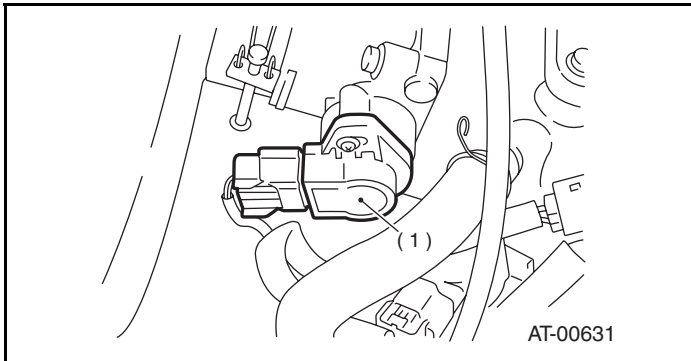
# ELECTRICAL COMPONENTS LOCATION

## AUTOMATIC TRANSMISSION (DIAGNOSTICS)

### 2. SENSOR

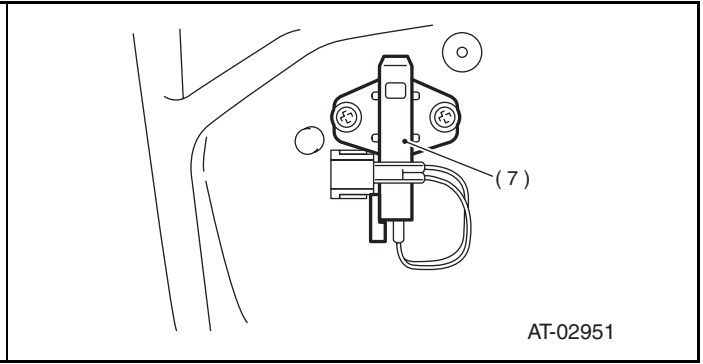
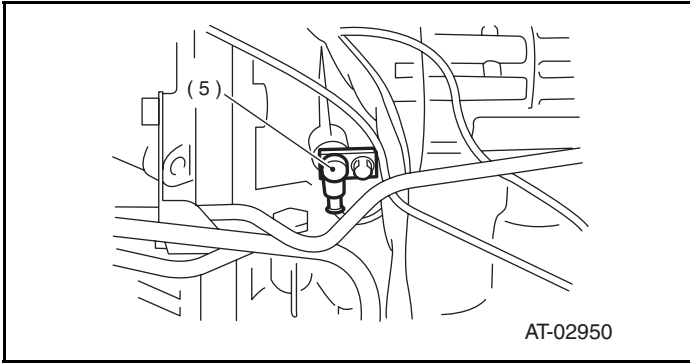


- |                                |   |  |
|--------------------------------|---|--|
| (1) Throttle position sensor   | (4) Rear vehicle speed sensor             | (6) ATF temperature sensor (Non-TURBO model) |
| (2) Front vehicle speed sensor | (5) Torque converter turbine speed signal | (7) Dropping resistor                        |
| (3) Inhibitor switch           |   |  |



# ELECTRICAL COMPONENTS LOCATION

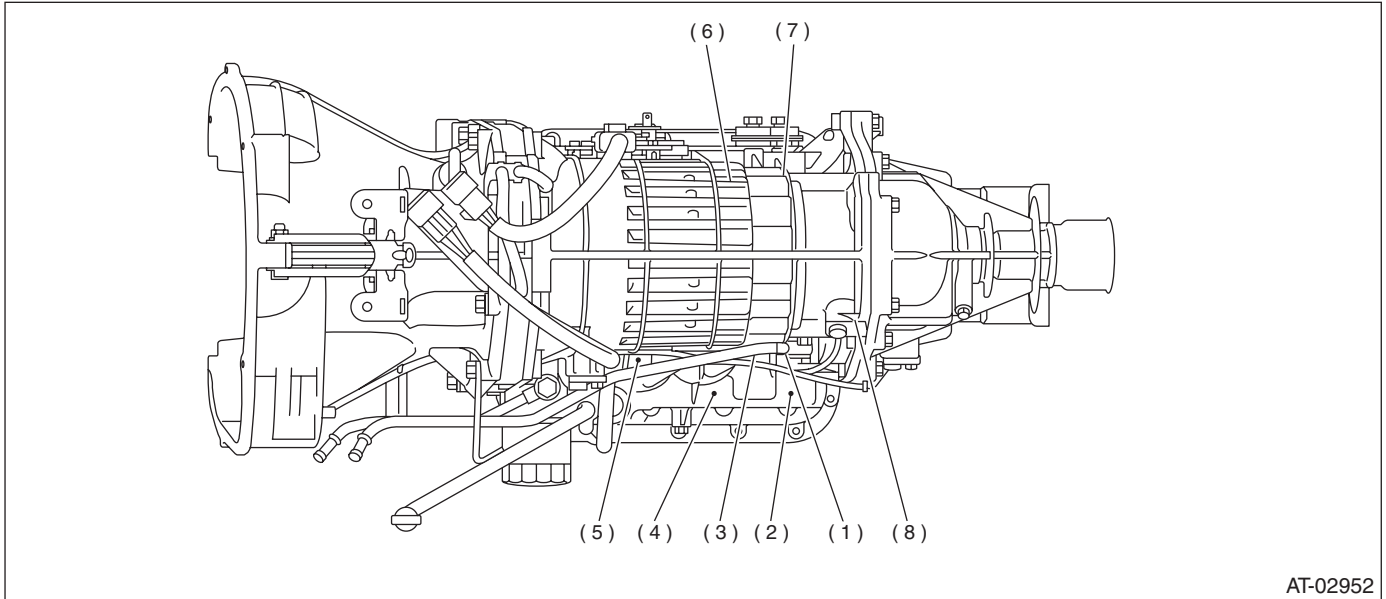
## AUTOMATIC TRANSMISSION (DIAGNOSTICS)



# ELECTRICAL COMPONENTS LOCATION

## AUTOMATIC TRANSMISSION (DIAGNOSTICS)

### 3. SOLENOID



AT-02952

- |                                 |                                |                               |
|---------------------------------|--------------------------------|-------------------------------|
| (1) Solenoid 1                  | (4) Low clutch timing solenoid | (7) 2-4 brake timing solenoid |
| (2) Solenoid 2                  | (5) Lock-up duty solenoid      | (8) Transfer duty solenoid    |
| (3) Line pressure duty solenoid | (6) 2-4 brake duty solenoid    |                               |

