

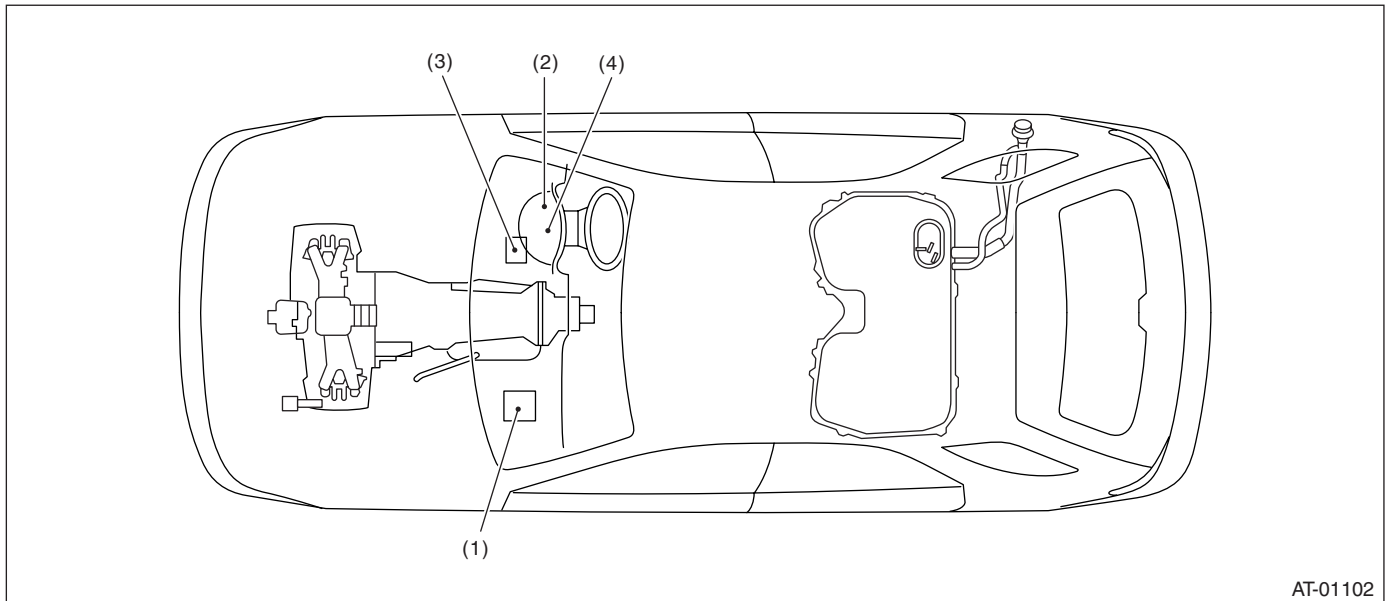
ELECTRICAL COMPONENTS LOCATION

AUTOMATIC TRANSMISSION (DIAGNOSTICS)

4. Electrical Components Location

A: LOCATION

1. CONTROL MODULE

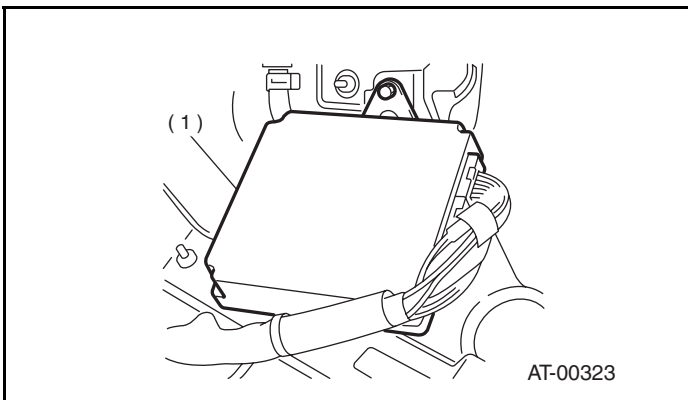


AT-01102

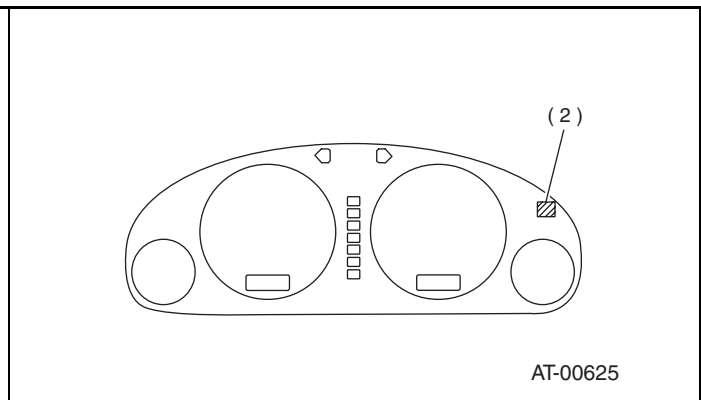
- (1) Engine control module (ECM)
(2) AT OIL TEMP warning light (AT diagnostic indicator light)

- (3) Transmission control module (TCM)

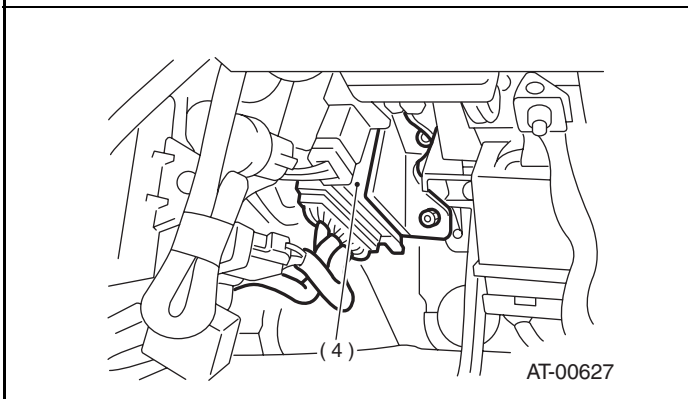
- (4) Data link connector



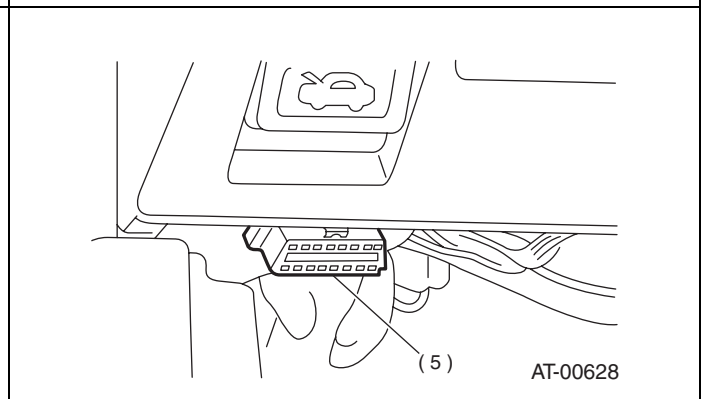
AT-00323



AT-00625



AT-00627

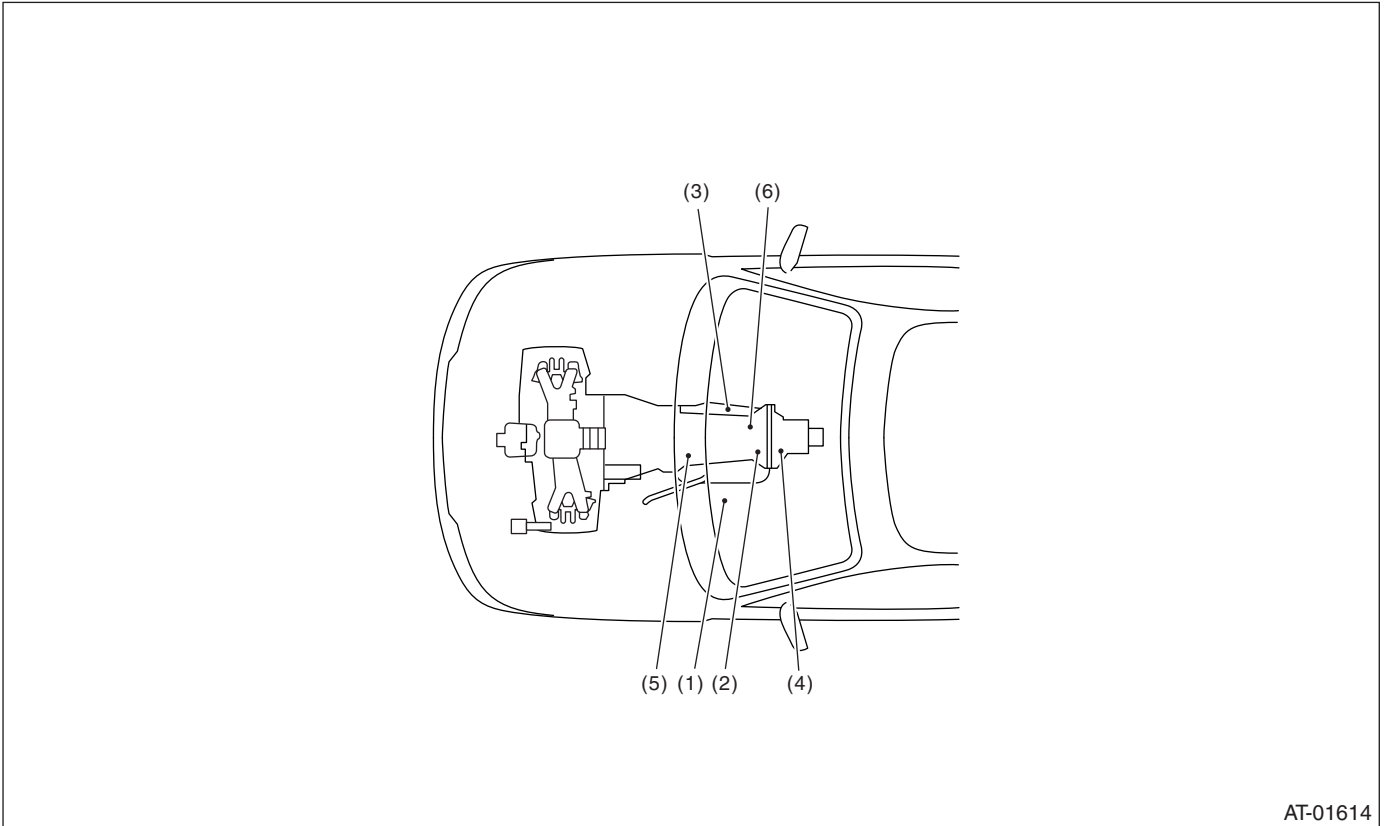


AT-00628

ELECTRICAL COMPONENTS LOCATION

AUTOMATIC TRANSMISSION (DIAGNOSTICS)

2. SENSOR

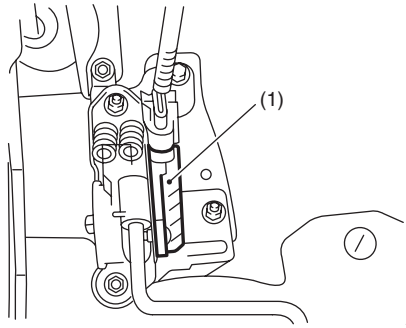


AT-01614

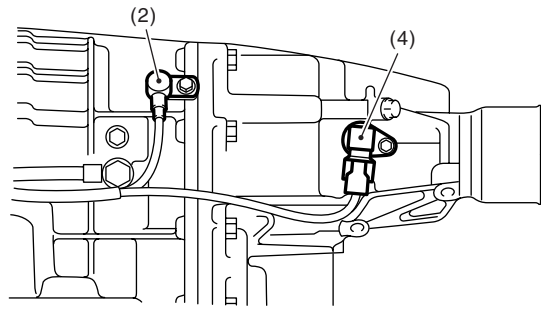
- | | | |
|---------------------------------------|---|----------------------------|
| (1) Accelerator pedal position sensor | (4) Rear vehicle speed sensor | (6) ATF temperature sensor |
| (2) Front vehicle speed sensor | (5) Torque converter turbine speed sensor | |
| (3) Inhibitor switch | | |

ELECTRICAL COMPONENTS LOCATION

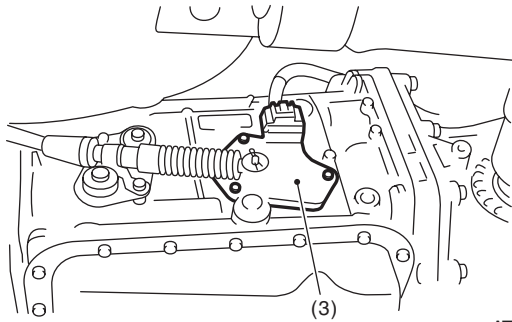
AUTOMATIC TRANSMISSION (DIAGNOSTICS)



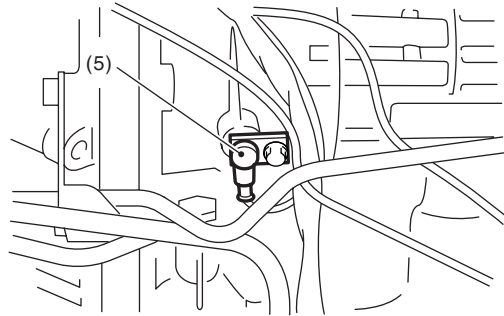
AT-00375



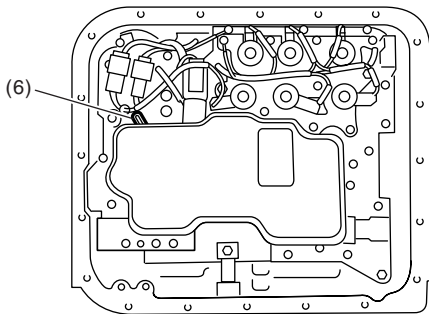
AT-01106



AT-00330



AT-00331



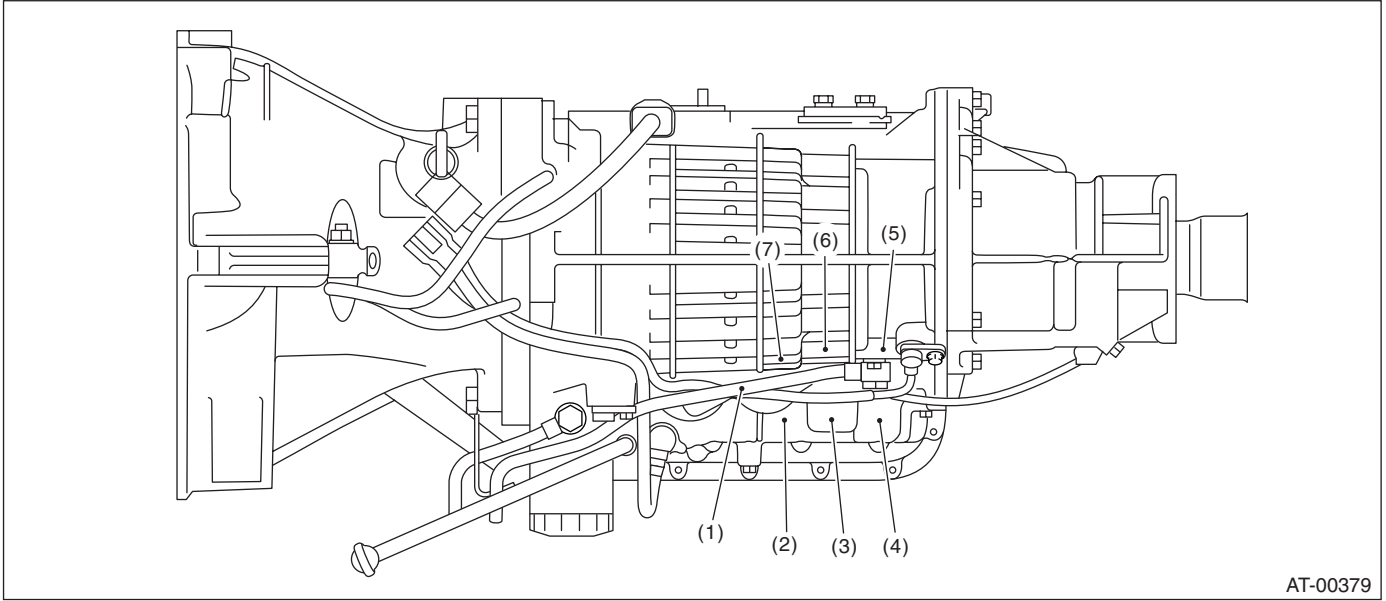
AT-00378

SUBARU.

ELECTRICAL COMPONENTS LOCATION

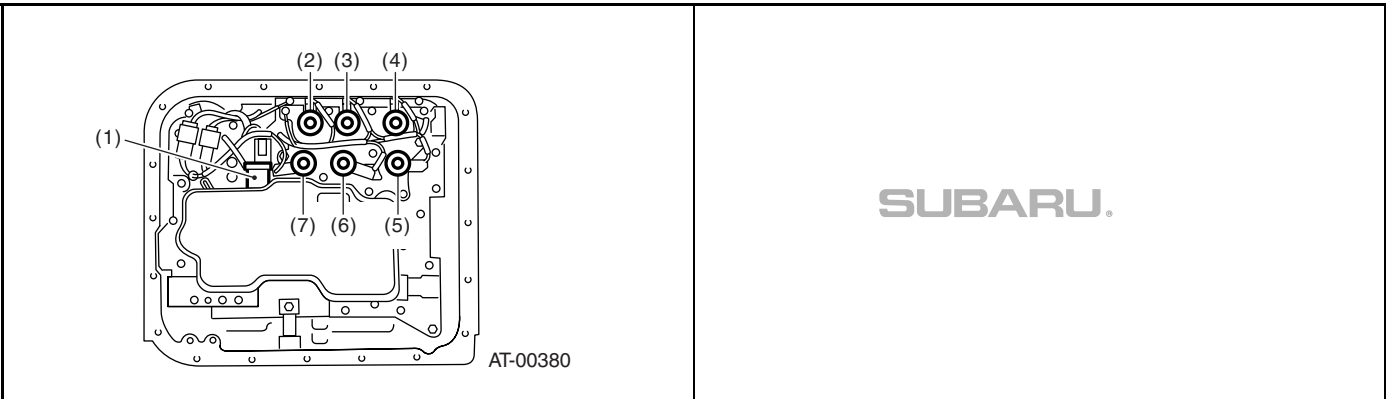
AUTOMATIC TRANSMISSION (DIAGNOSTICS)

3. SOLENOID



AT-00379

- | | | |
|-----------------------------------|---------------------------------|---------------------------|
| (1) Line pressure linear solenoid | (4) Low & reverse duty solenoid | (7) Lock-up duty solenoid |
| (2) High clutch duty solenoid | (5) Low clutch duty solenoid | |
| (3) 2-4 brake duty solenoid | (6) Transfer duty solenoid | |



AT-00380

SUBARU.