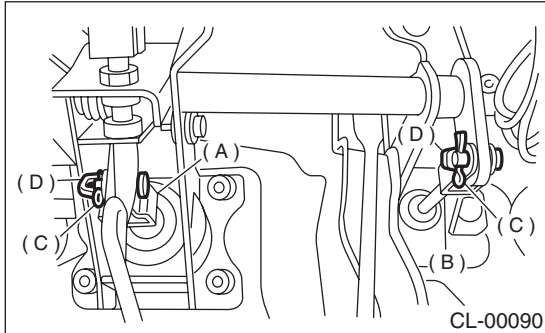


10. Clutch Pedal

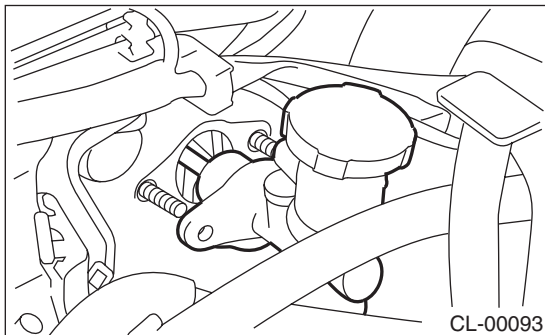
A: REMOVAL

- 1) Remove the steering column. <Ref. to PS-20, REMOVAL, Tilt Steering Column.>
- 2) Disconnect the connectors from stop light and clutch switches.
- 3) Remove the snap pins which secure lever to push rod and operating rod.
- 4) Remove the clevis pins which secure lever to push rod and operating rod.



- (A) Operating rod
- (B) Push rod
- (C) Snap pin
- (D) Clevis pin

- 5) Remove the accelerator pedal. <Ref. to SP(H4SO)-3, REMOVAL, Accelerator Pedal.>
- 6) Remove the air cleaner case and intake duct. <Ref. to IN(H4SO)-6, REMOVAL, Air Cleaner Case.> and <Ref. to IN(H4SO)-7, REMOVAL, Air Intake Duct.>
- 7) Remove the intercooler. (TURBO model) <Ref. to IN(H4DOTC)-10, REMOVAL, Intercooler.>
- 8) Remove the nut which secures clutch master cylinder.



- 9) Remove the bolts and nuts which secure brake and clutch pedals, and remove the pedal assembly.

B: INSTALLATION

- 1) Install in the reverse order of removal.

Tightening torque:

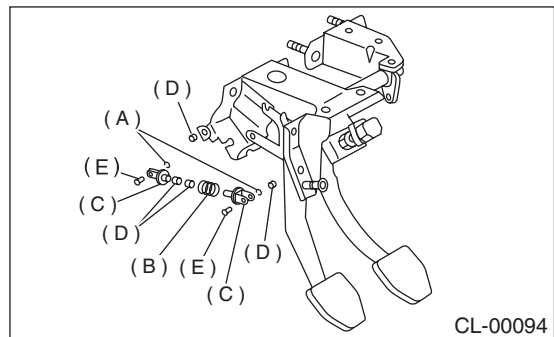
18 N·m (1.8 kgf-m, 13.0 ft-lb)

NOTE:

- Be careful not to kink the accelerator cable.
 - Always use new clevis pins.
- 2) Adjust the clutch pedal after installation. <Ref. to CL-28, ADJUSTMENT, Clutch Pedal.>
 - 3) Adjust the clutch switch (starter interlock). <Ref. to CL-32, ADJUSTMENT, Clutch Switch.>

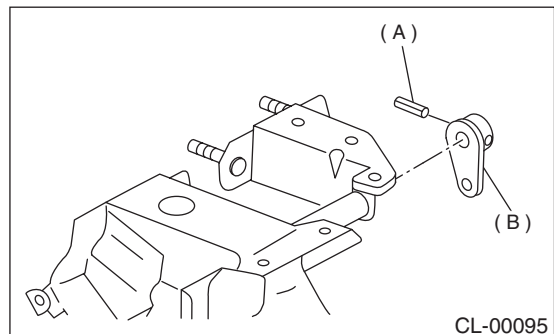
C: DISASSEMBLY

- 1) Remove the clips, assist spring, rod and bushing.



- (A) Clip
- (B) Assist spring
- (C) Assist rod
- (D) Bushing
- (E) Clevis pin

- 2) Remove the spring pin and lever.

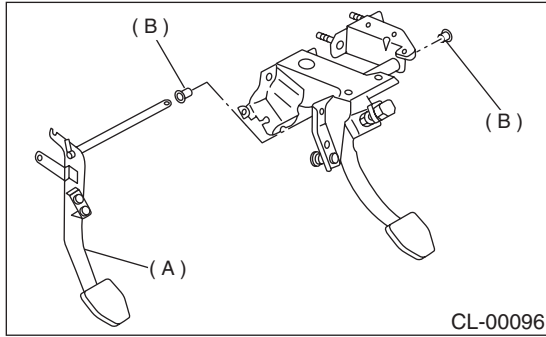


- (A) Pin
- (B) Lever

CLUTCH PEDAL

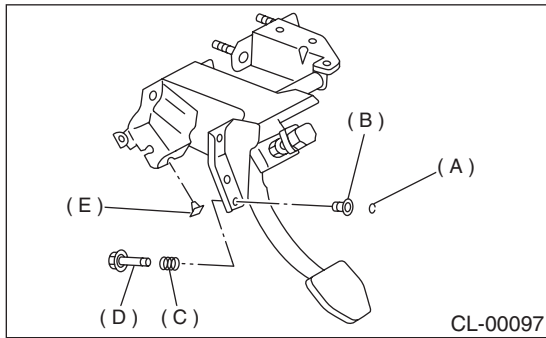
CLUTCH SYSTEM

3) Remove the clutch pedal and bushings.



- (A) Clutch pedal
- (B) Bushing

4) Remove the stopper, clip, rod S, and then remove the spring and bushing S.



- (A) Clip
- (B) Bushing S
- (C) Spring S
- (D) Rod S
- (E) Stopper

5) Remove the stoppers from clutch pedal.

6) Remove the clutch pedal pad.

D: ASSEMBLY

1) Attach the stopper, etc. to pedal bracket temporarily.

2) Clean inside of bores of clutch pedal and brake pedal, apply grease, and set bushings into bores.

Grease:

SUNLIGHT No.2 (Part No. 003602010) or equivalent

3) Align bores of pedal bracket, clutch pedal and brake pedal, attach the brake pedal return spring, assist rods, spring, and bushing.

NOTE:

Clean up inside of bushings and apply grease before installing the spacer.

E: INSPECTION

1. CLUTCH PEDAL

Move the clutch pedal pads in the lateral direction with a force of approx. 10 N (1 kgf, 2 lb) to ensure pedal deflection is in specified range.

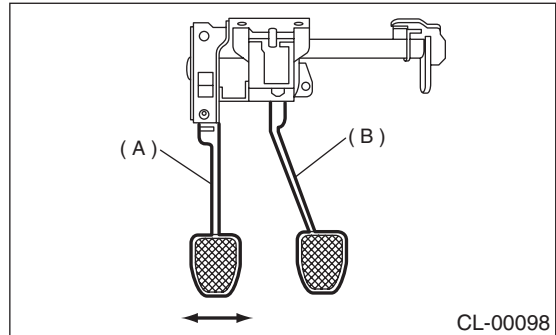
NOTE:

If excessive deflection is noted, replace the bushings with new ones.

Deflection of clutch pedal:

Service limit

5.0 mm (0.197 in) or less



- (A) Clutch pedal
- (B) Brake pedal

F: ADJUSTMENT

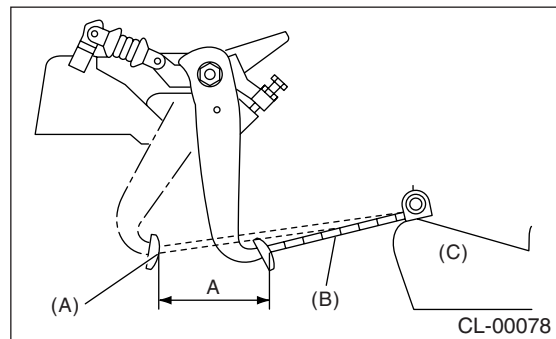
1) Measure the full stroke amount of clutch pedal.

NOTE:

- Measure the length between seat cushion front end and center portion of clutch pedal.
- Slide the seat at seventh notch from first notch.

Specified clutch pedal full stroke: A

130 — 135 mm (5.12 — 5.31 in)

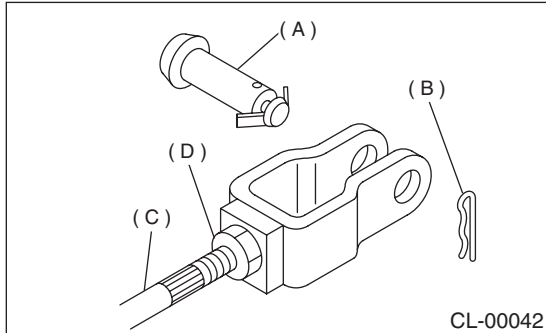


- (A) Clutch (Full stroke condition)
- (B) Scale
- (C) Seat

2) If not as specified, loosen the clutch stopper nut to adjust it.

Tightening torque (Clutch stopper nut):
8 N·m (0.8 kgf-m, 5.8 ft-lb)

3) Loosen the push rod lock nut.

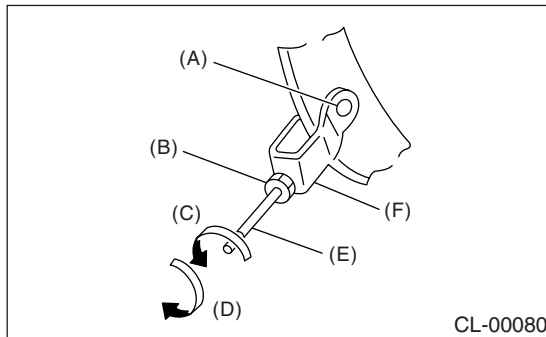


- (A) Clevis pin
- (B) Snap pin
- (C) Push rod
- (D) Push rod lock nut

4) Turn the push rod to adjust.

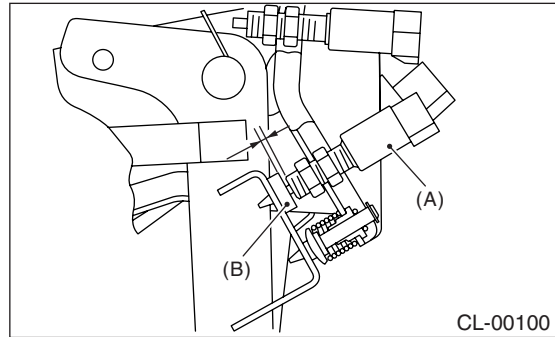
(1) Ensure that the clutch pedal contacts stopper bolt, when releasing the clutch pedal.

(2) Ensure that the clutch pedal contacts clutch pedal bracket stopper, when fully depressing the clutch pedal.



- (A) Clevis hole
- (B) Push rod lock nut
- (C) Lengthening direction
- (D) Shortening direction
- (E) Push rod
- (F) U shaped bracket

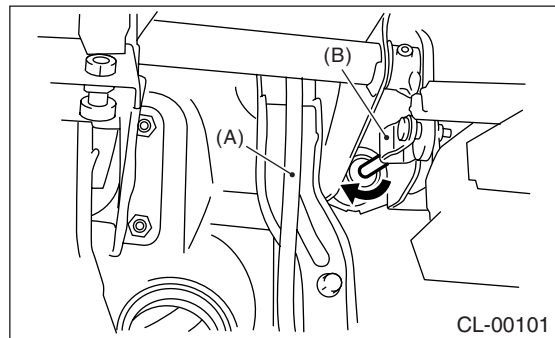
5) Turn the push rod clockwise to shorten until clearance is made at clutch switch.



- (A) Clutch switch
- (B) Stopper

6) Turn the push rod counter clockwise to lengthen until clutch pedal contacts to clutch switch.

7) Turn the push rod further 270° counterclockwise to lengthen (arrow direction as shown in the figure).



- (A) Accelerator pedal
- (B) Clevis

8) Move the clevis pin in lateral direction to ensure it moves smoothly.

CLUTCH PEDAL

CLUTCH SYSTEM

9) Tighten the push rod lock nut.

Tightening torque :

10 N·m (1.0 kgf-m, 7.2 ft-lb)

10) Measure the full stroke amount of clutch pedal again.

Specified clutch pedal full stroke: A

130 — 135 mm (5.12 — 5.31 in)

11) Install the clutch start switch. <Ref. to CL-31, INSTALLATION, Clutch Switch.>