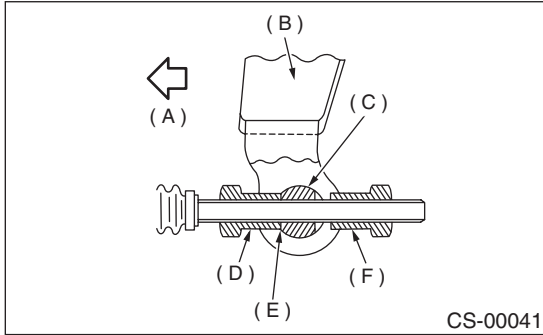


7. Integrated Module

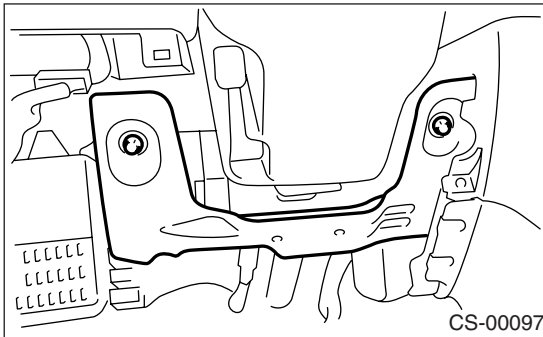
A: REMOVAL

1) Disconnect the ground cable from battery.



2) Remove the lower cover.

3) Remove the knee bolster.



4) Disconnect the connector from integrated module.

5) Remove the integrated module from the steering column.

B: INSTALLATION

Install in the reverse order of removal.