

PREPARATION FOR OVERHAUL

MANUAL TRANSMISSION AND DIFFERENTIAL

9. Preparation for Overhaul

A: PROCEDURE

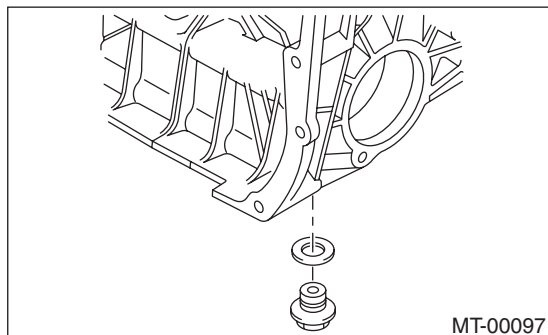
- 1) Clean oil, grease, dirt and dust from transmission.
- 2) Remove the drain plug to drain oil. After draining, retighten it as before.

NOTE:

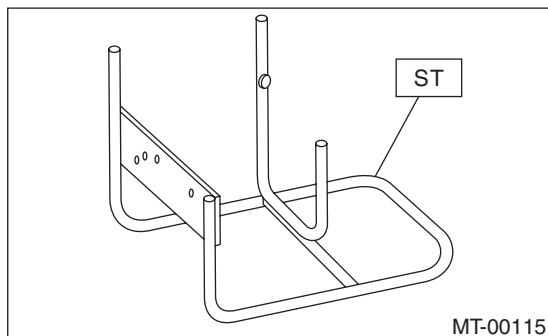
Replace the gasket with a new one.

Tightening torque:

70 N·m (7.1 kgf·m, 51 ft·lb)



- 3) Attach the transmission to ST.



- 4) Rotating parts should be coated with oil prior to assembly.
- 5) All disassembled parts, if to be reused, should be reinstalled in the original positions and directions.
- 6) Gaskets, lock washers and lock nut must be replaced with new ones.
- 7) Liquid gasket should be used where specified to prevent leakage.