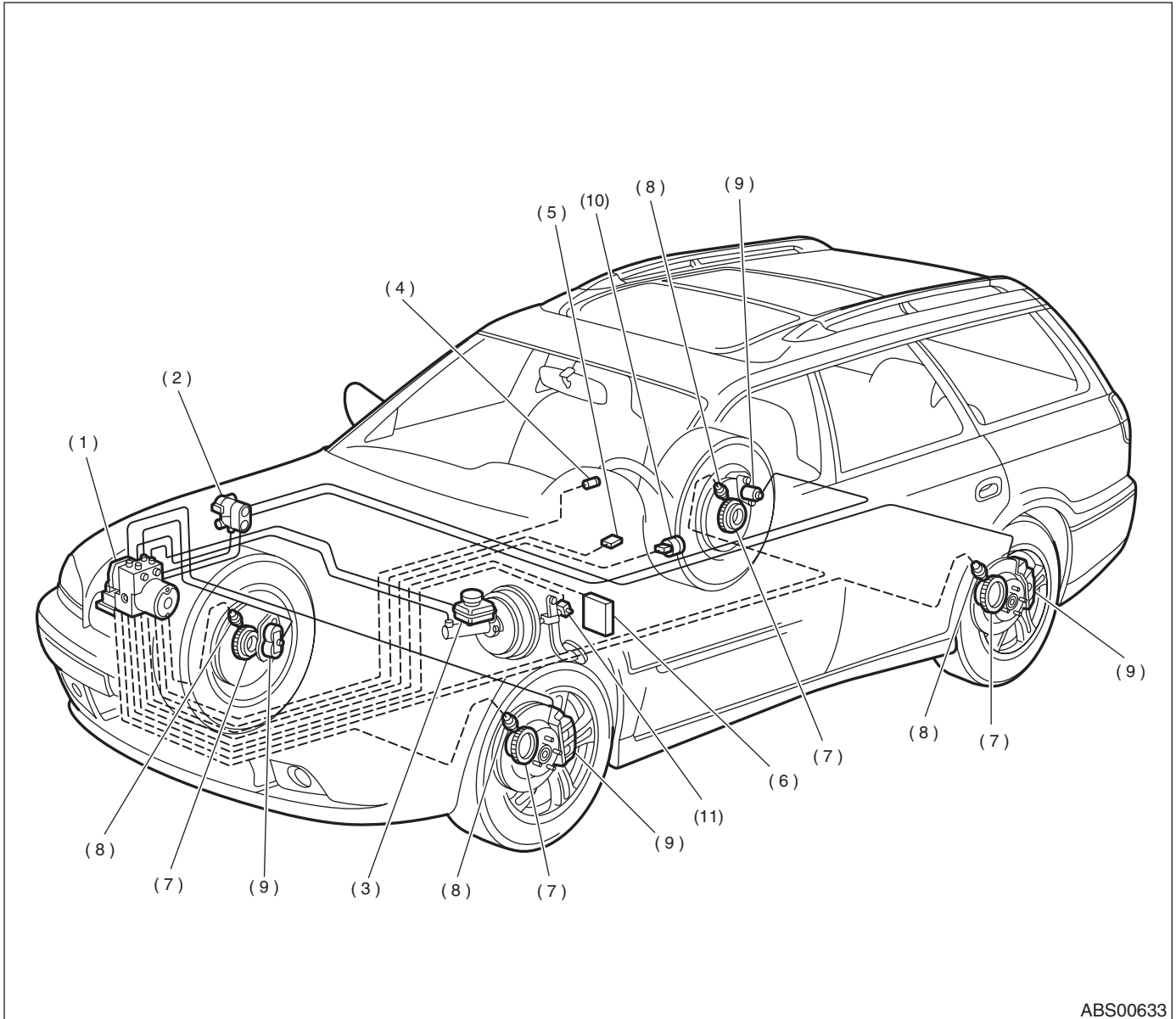


# ELECTRICAL COMPONENTS LOCATION

ABS (DIAGNOSTICS)

## 4. Electrical Components Location

### A: LOCATION

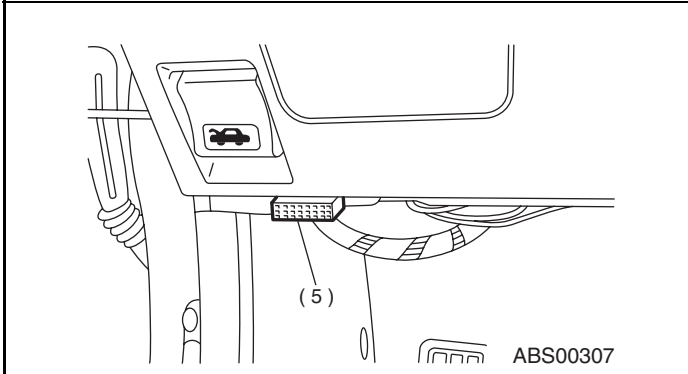
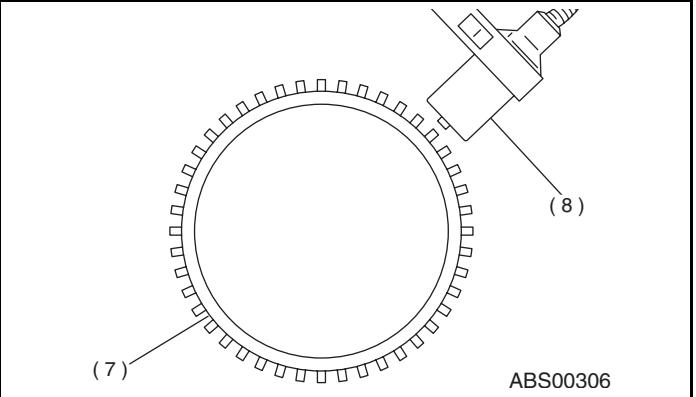
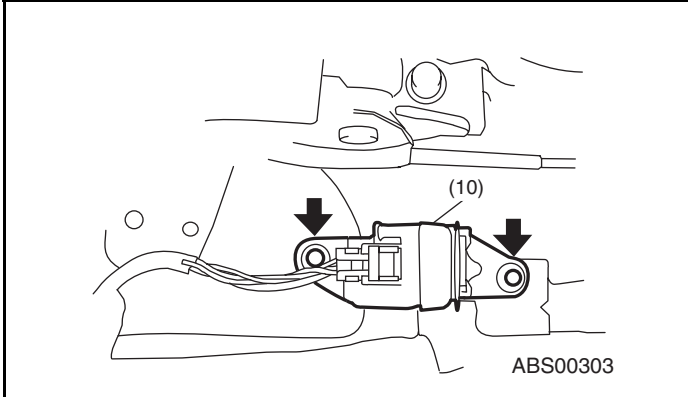
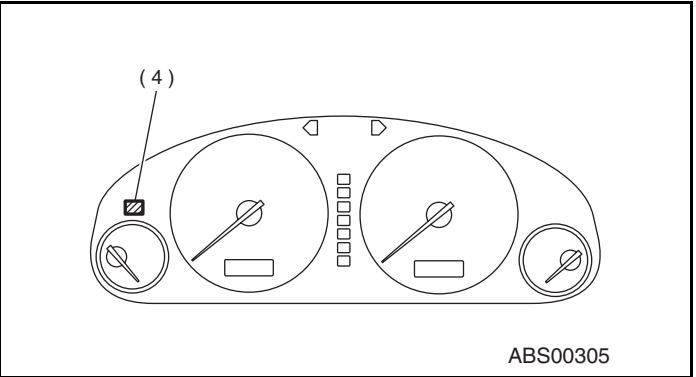
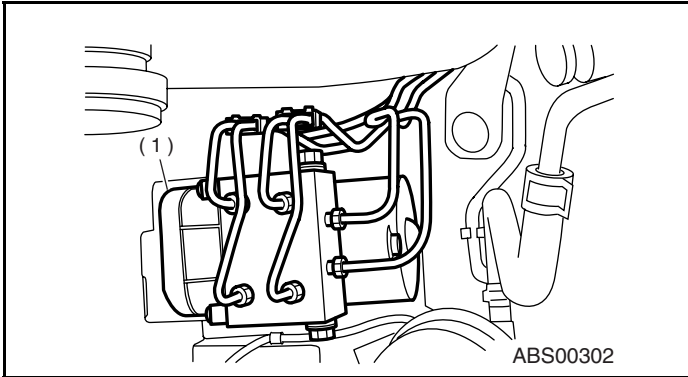


ABS00633

- |   |   |                        |
|---|---|------------------------|
| (1) ABS control module and hydraulic control unit (ABSCM&H/U) | (5) Data link connector (for Subaru select monitor) | (8) ABS sensor         |
| (2) Proportioning valve                                       | (6) Transmission control module (AT models)         | (9) Wheel cylinder     |
| (3) Master cylinder   | (7) Tone wheel                                      | (10) G sensor          |
| (4) ABS warning light   |   | (11) Stop light switch |

# ELECTRICAL COMPONENTS LOCATION

ABS (DIAGNOSTICS)



**SUBARU.**