

FRONT BRAKE PAD

BRAKE

2. Front Brake Pad

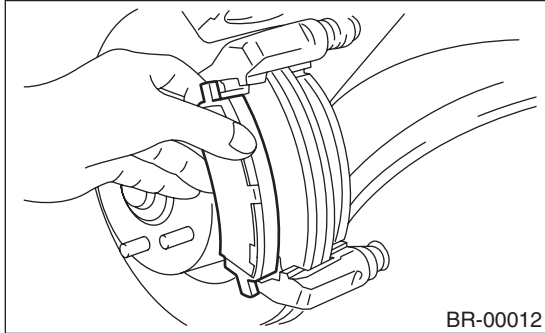
A: REMOVAL

- 1) Loosen wheel nuts, jack-up vehicle, support it with safety stands, and remove wheel.
- 2) Remove bottom bolt.
- 3) Raise caliper body and suspend it securely.

NOTE:

Do not disconnect brake hose from caliper body.

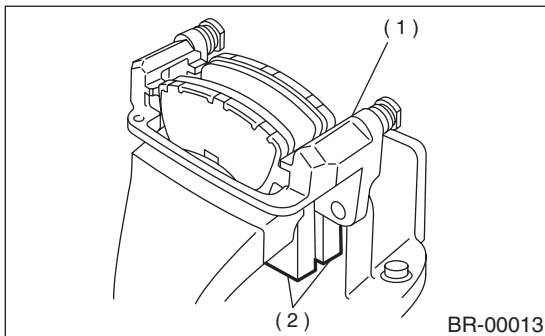
- 4) Remove pad.



NOTE:

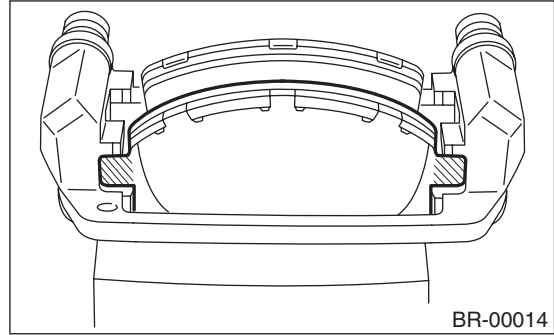
If brake pad is difficult to remove, proceed as follows:

- (1) Remove caliper body and fasten it provisionally to coil spring.
- (2) Remove support.
- (3) Place a support in a vise between wooden blocks.



- (1) Support
- (2) Wooden blocks

- (4) Attach a rod of less than 12 mm (0.47 in) dia. to the shaded area of brake pad, and strike the rod with a hammer to drive brake pad out of place.

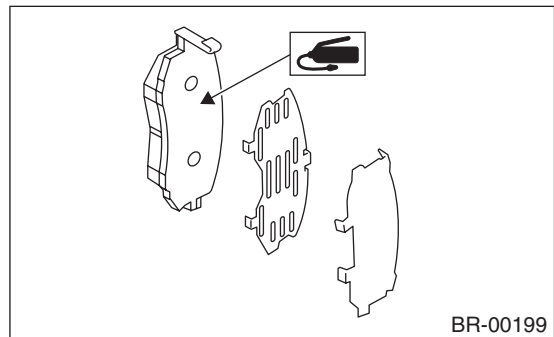


B: INSTALLATION

- 1) Apply thin coat of Molykote AS880N (Part No. 26298AC000) to the frictional portion between pad and pad clip.
- 2) Apply thin coat of Molykote AS880N (Part No. 26298AC000) to the frictional portion between pad and pad inner shim.

CAUTION:

Do not allow oil or grease to adhere to the sliding surface of pad and disc rotor.



- 3) Check disc rotor thickness and runout. <Ref. to BR-14, INSPECTION, Front Disc Rotor.>
- 4) Install pads on support.
- 5) Install caliper body on support.

Tightening torque:

39 N·m (4.0 kgf-m, 28.9 ft-lb)

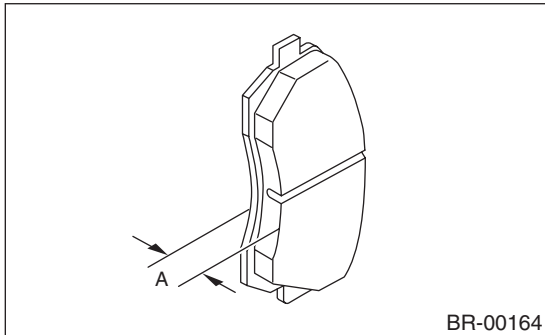
NOTE:

If it is difficult to push piston during pad replacement, loosen air bleeder to facilitate work.

- 6) Depress brake pedal several times.
- 7) Check that brake fluid level is at max. line.

C: INSPECTION

Check pad thickness A.



Pad thickness (including back metal)	Standard value	17 mm (0.67 in)
	Wear limit	7.5 mm (0.295 in)

CAUTION:

- Always replace the pads for both the left and right wheels at the same time. Also replace pad clips if they are twisted or worn.
- A wear indicator is provided on the inner disc brake pad of the left wheel. If the pad wears down to such an extent that the end of the wear indicator contacts the disc rotor, a squeaking sound is produced as the wheel rotates. If this sound is heard, replace the pad.
- Replace pad if there is oil or grease on it.