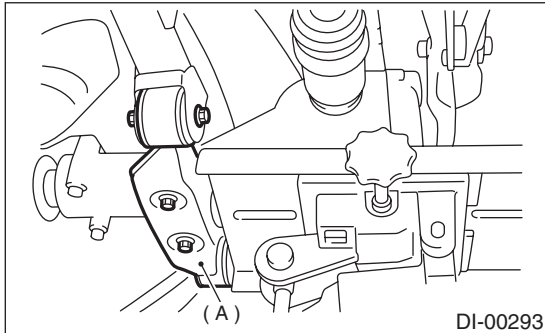


7. Rear Differential Front Member

A: REMOVAL

- 1) Disconnect ground cable from battery.
- 2) Jack-up the vehicle.
- 3) Using a transmission jack, support rear differential, and remove rear differential front member.



(A) Rear differential front member

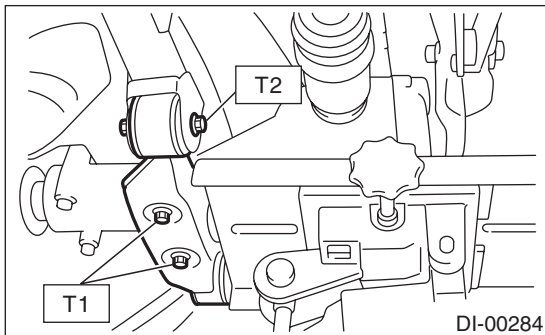
B: INSTALLATION

- 1) Install rear differential front member.

Tightening torque:

T1: 65 N·m (6.6 kgf-m, 48 ft-lb)

T2: 110 N·m (11.2 kgf-m, 81 ft-lb)



C: INSPECTION

- 1) Check rear differential front member for damage, bend, or corrosion.
If damage, bend, or corrosion is excessive, replace rear differential front member.
- 2) Check bushings of rear differential front member for cracking, hardening, or damage.
If cracking, hardening, or damage is excessive, replace rear differential front member.