

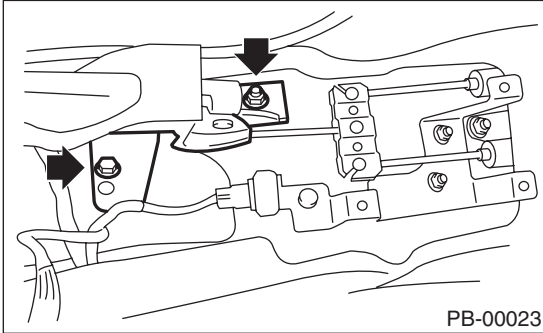
PARKING BRAKE CABLE

PARKING BRAKE

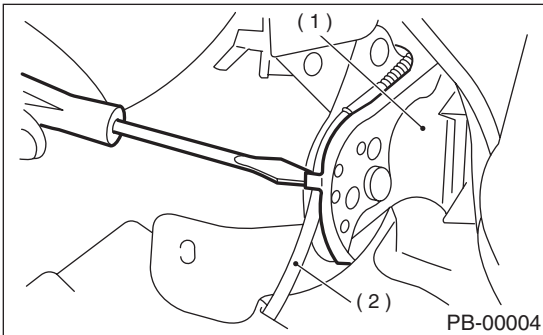
3. Parking Brake Cable

A: REMOVAL

- 1) Lift-up vehicle.
- 2) Remove rear tires and wheels.
- 3) Remove rear seat cushion. <Ref. to SE-14, Rear Seat.>
- 4) Remove console box. <Ref. to EI-36, REMOVAL, Console Box.>
- 5) Loosen parking cable adjusting nut and console bracket.
- 6) Remove parking brake lever.

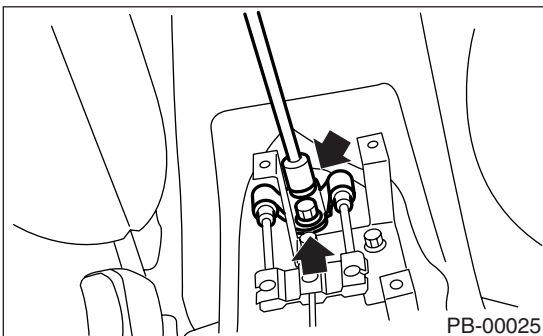


- 7) Unbend parking brake lever pawls and remove cable.

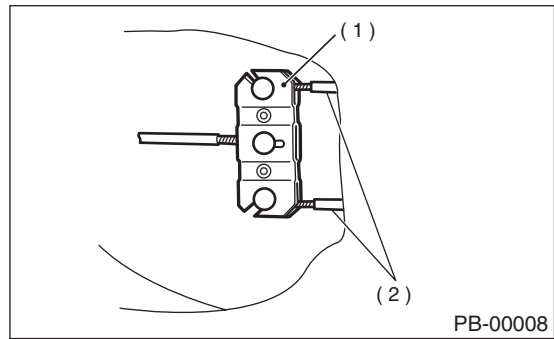


- (1) Parking brake lever
- (2) Cable

- 8) Roll up floor mat and remove clamps.

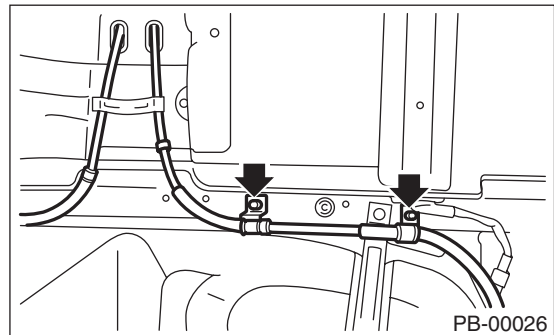


- 9) Remove equalizer cover.
- 10) Remove inner cable end from equalizer.



- (1) Equalizer
- (2) Inner cable end

- 11) Pull out parking brake cable from rear brake. <Ref. to PB-8, REMOVAL, Parking Brake Assembly.>
- 12) Pull out clamp from rear brake.
- 13) Remove bolt and bracket from trailing link bracket.
- 14) Remove bolt and clamp from rear floor.



- 15) Detach grommet from rear floor.
- 16) Remove cable assembly from cabin by forcibly pulling it backward.
- 17) Detach parking brake cable from cable guide at rear trailing link.

B: INSTALLATION

Install (new) parking brake assembly in the reverse order of removal.

NOTE:

- Be sure to pass cable through cable guide inside the tunnel.
- Be sure to adjust the lever stroke. <Ref. to PB-5, ADJUSTMENT, Parking Brake Lever.>

C: INSPECTION

Check the removed cable and replace if damaged, rusty, or malfunctioning.

- 1) Check for smooth operation of the cable.
- 2) Check the inner cable for damage and rust.
- 3) Check the outer cable for damage, bends, and cracks.
- 4) Check the boot for damage, cracks, and deterioration.