

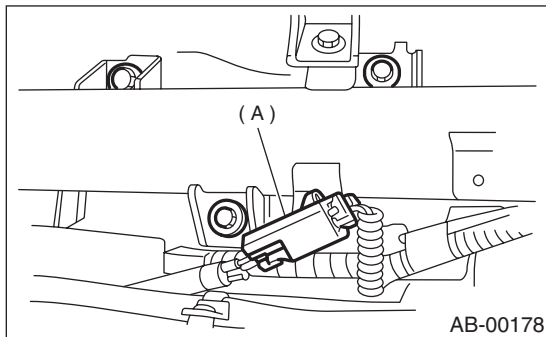
5. Passenger's Airbag Module

A: REMOVAL

CAUTION:

Refer to "CAUTION" in General Description before handling the airbag module. <Ref. to AB-3, CAUTION, General Description.>

- 1) Turn ignition switch OFF.
- 2) Disconnect the ground cable from the battery, and wait for at least 20 seconds before starting work.
- 3) Open the glove box lid. Pull out two stopper pins and lower the globe box. <Ref. to EI-34, REMOVAL, Glove Box.>
- 4) Disconnect airbag connector (A), and then detach airbag connector from support beam bracket.
- 5) Remove three bolts, and then carefully remove airbag module.



- 6) Refer to "CAUTION" for handling of a removed airbag module. <Ref. to AB-3, CAUTION, General Description.>

B: INSTALLATION

Install in the reverse order of removal.

CAUTION:

Do not allow harness and connectors to interfere or get tangled up with other parts.

C: INSPECTION

CAUTION:

Refer to "CAUTION" in General Description before handling the airbag module. <Ref. to AB-3, CAUTION, General Description.>

Check for the following, and replace damaged parts with new parts.

- Airbag module, harness, connector, and mounting bracket are damaged.