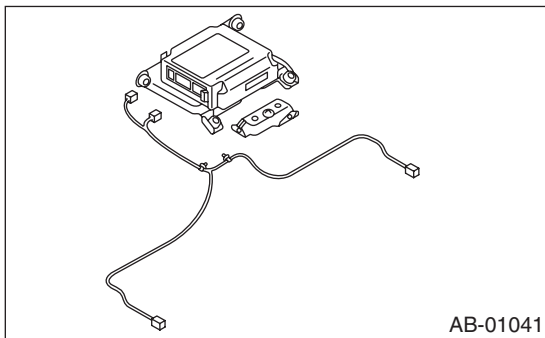


## 7. Pretensioner Harness

### A: REMOVAL

- 1) Turn ignition switch OFF.
- 2) Disconnect the ground cable from the battery, and wait for at least 20 seconds before starting work.
- 3) Remove front seat. <Ref. to SE-6, REMOVAL, Front Seat.>
- 4) Remove console box. <Ref. to EI-36, REMOVAL, Console Box.>
- 5) Roll up floor mat, and then disconnect two 12-pin yellow connectors from airbag control module.
- 6) Detach clips, and then remove pretensioner harness.



### B: INSTALLATION

Install in the reverse order of removal.

### C: INSPECTION

Check for the following, and replace damaged parts with new parts.

- Harness and/or connector is damaged.