

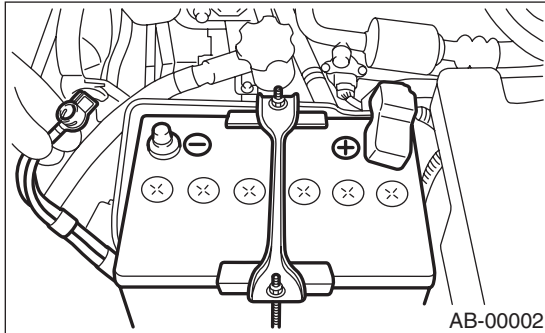
# GENERAL DESCRIPTION

## AIRBAG SYSTEM (DIAGNOSTICS)

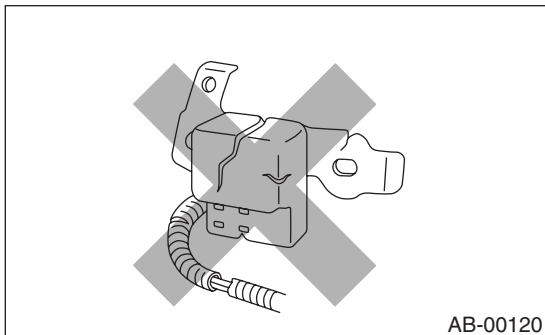
### 3. General Description

#### A: CAUTION

- When servicing a vehicle, be sure to turn the ignition switch OFF, disconnect the ground cable from the battery, and wait for more than 20 seconds before starting work.
- The airbag system is fitted with a backup power source. If the airbag system is serviced within 20 seconds after the ground cable is disconnected, it may inflate.

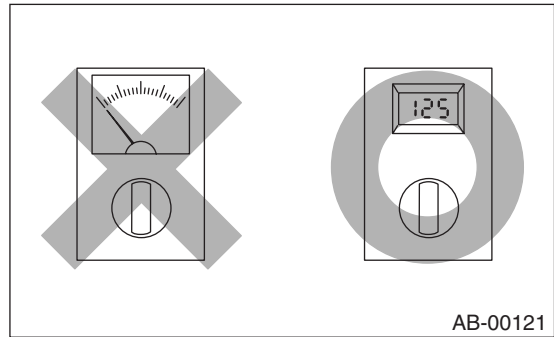


- If the airbag warning light illuminates, repair the vehicle immediately. Airbag or pretensioner may inflate incorrectly, or not inflate in collision.
- If sensors, airbag module, airbag control module pretensioner, and harness are deformed or damaged, replace them with new genuine parts.
- Do not use the airbag system and pretensioners on other vehicles. When replacing parts, be sure to replace them with new parts.

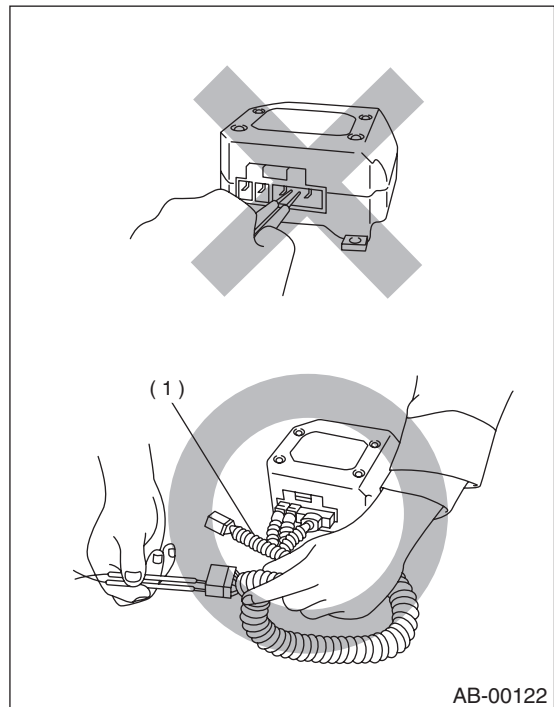


- When checking the system, be sure to use a digital circuit tester.

Use of an analog circuit tester may cause the airbag to activate erroneously.



- When checking, use a test harness. Do not directly apply the tester probe to any connector terminal of the airbag.



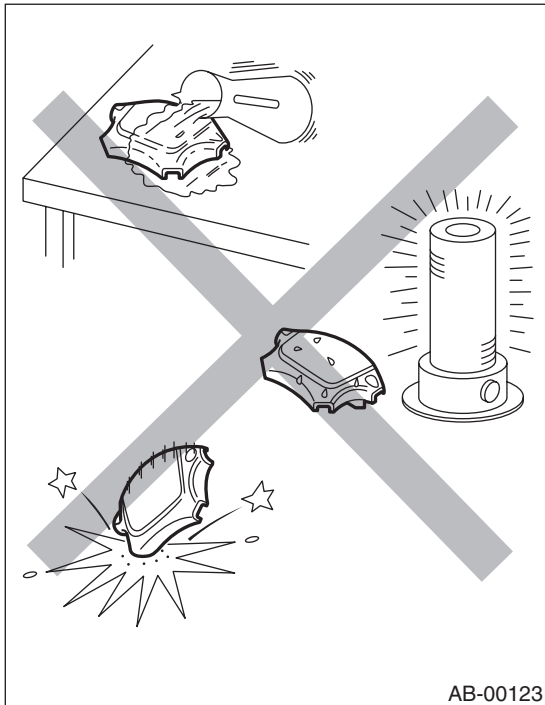
(1) Test harness

- Do not drop the airbag modulator parts, subject them to high temperature over 93°C (199°F), or let water, oil, or grease get on them; otherwise, the in-

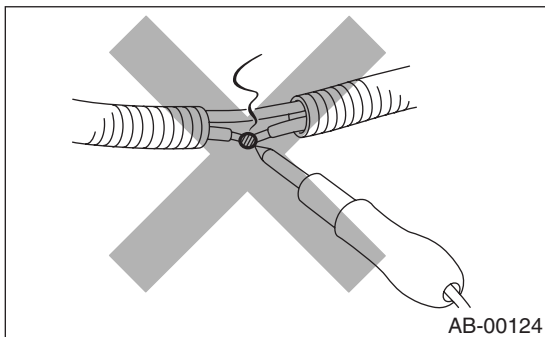
# GENERAL DESCRIPTION

## AIRBAG SYSTEM (DIAGNOSTICS)

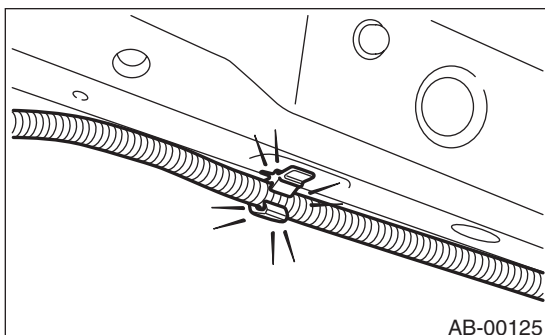
ternal parts may be damaged and reliability greatly lowered.



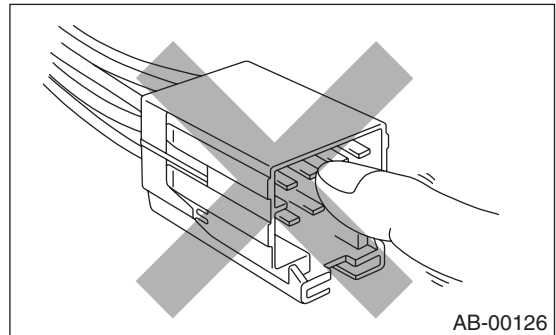
- If any damage, opening or rust is found on the airbag system wire harness, do not attempt to repair using soldering equipment. Be sure to replace the faulty harness with a new genuine part.



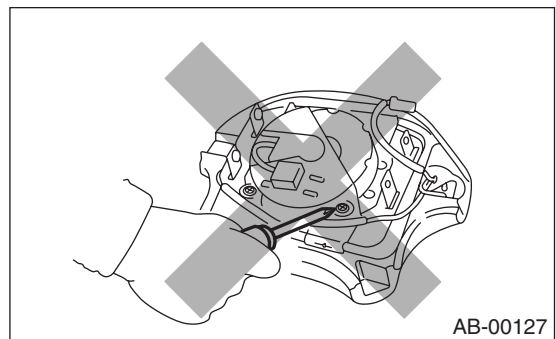
- Install the wire harness securely with the specified clips to avoid interference or tangled up with other parts.



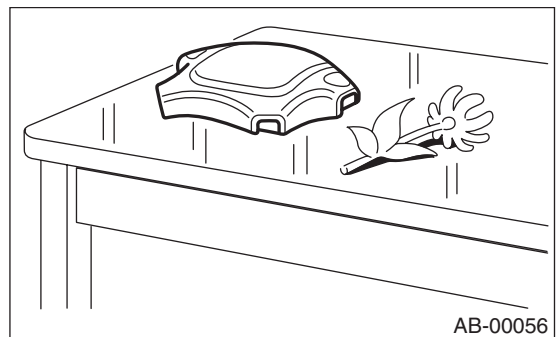
- Do not allow water or oil to come in contact with the connector terminals. Do not touch the connector terminals.



- The airbag module (driver, passenger, and pretensioner) must not be disassembled.
- The airbag module cannot be used again once inflated.



- After removal, keep the airbag module with the pad facing upward on a dry, clean, and flat surface away from heat and light sources, and moisture and dust.

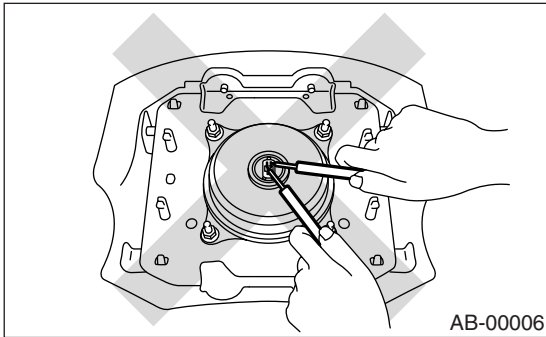


## GENERAL DESCRIPTION

### AIRBAG SYSTEM (DIAGNOSTICS)

---

- Do not check continuity of the airbag module (driver, passenger, and pretensioner).



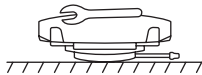
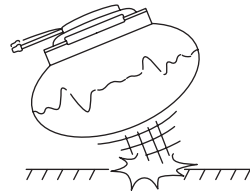
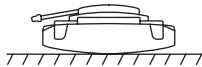
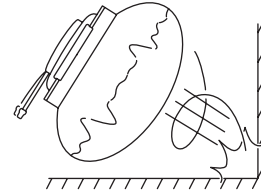
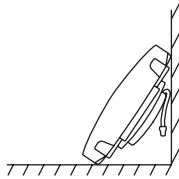
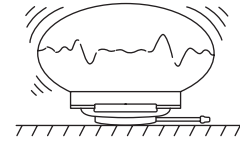
- When painting or performing sheet metal work on the front part of the vehicle, including the front wheel apron, front fender, and front side frame, remove the front sub sensors and wire harness of the airbag system.
- When painting or performing sheet metal work on the side of the vehicle, including the side sill, center pillar, and front and rear doors, remove the pretensioner wire harness.

# GENERAL DESCRIPTION

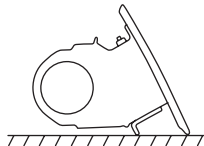
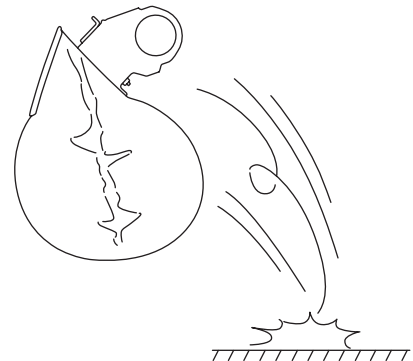
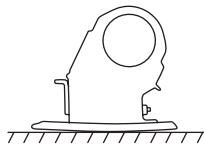
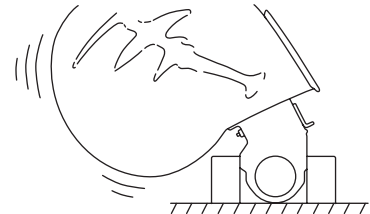
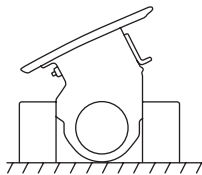
## AIRBAG SYSTEM (DIAGNOSTICS)

- When storing a removed airbag module, do not place any objects on it or pile airbag modules on top of each other. If the airbag inflates for some reason when it is placed with its pad side facing downward or under any object, a serious accident may result.

(1)



(2)



AB-00130

(1) Driver side

(2) Passenger side

- Do not discard undeployed airbag modules. They could easily cause a serious accident if accidentally deployed.
- Do not damage the airbag module or drop it.

## GENERAL DESCRIPTION

AIRBAG SYSTEM (DIAGNOSTICS)

---

### **B: INSPECTION**

Before diagnosing, check the following items that might be related to the engine problem:

#### **1. BATTERY**

Measure battery voltage and specific gravity of electrolyte.

***Standard voltage: 12 V***

***Specific gravity: Above 1.260***

# GENERAL DESCRIPTION

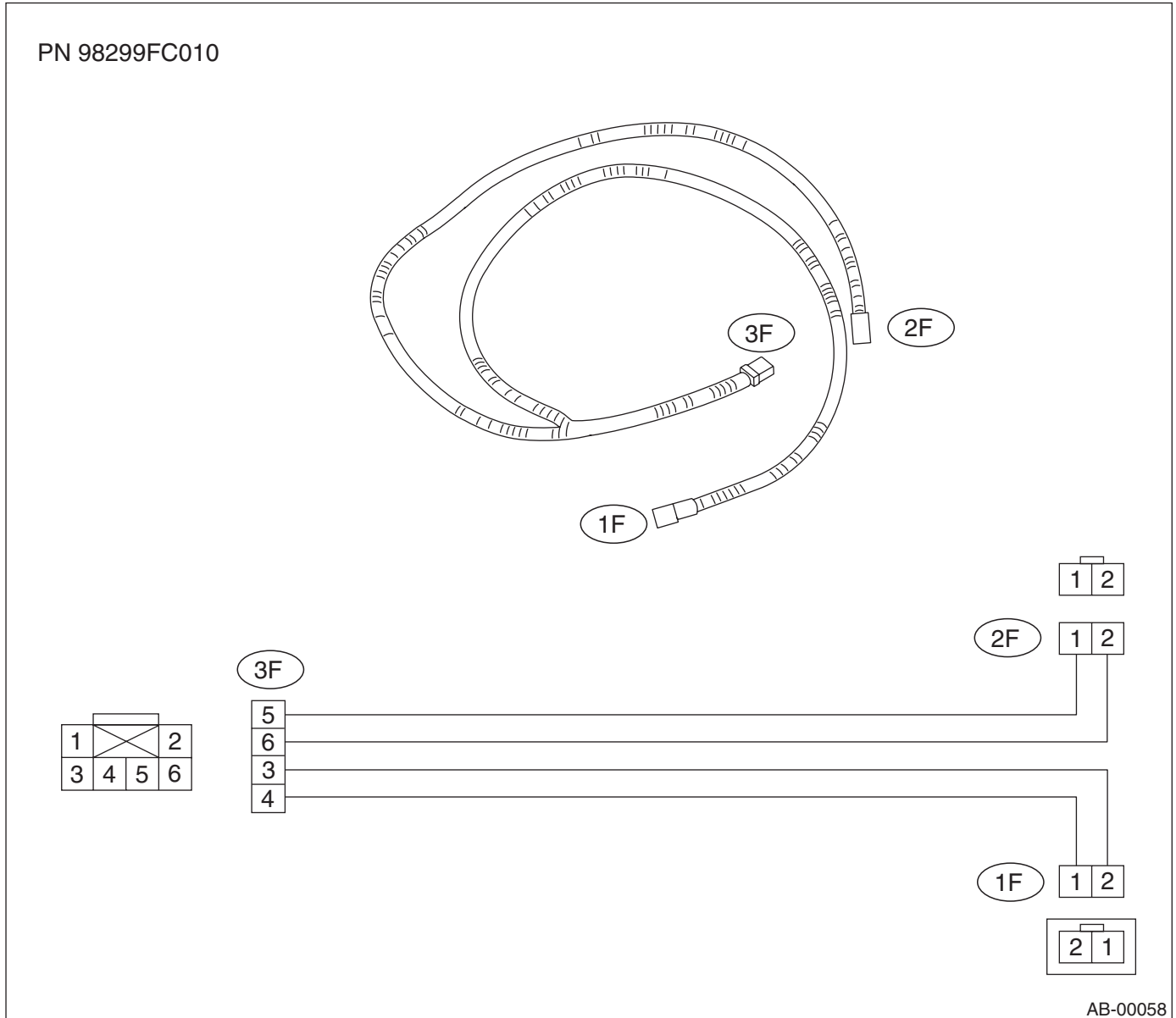
AIRBAG SYSTEM (DIAGNOSTICS)

## C: PREPARATION TOOL

### CAUTION:

Be sure to use specified test harness F, G, H, K and I or I2 when measuring voltage, resistance, etc. of AIRBAG system component parts.

### 1. TEST HARNESS F

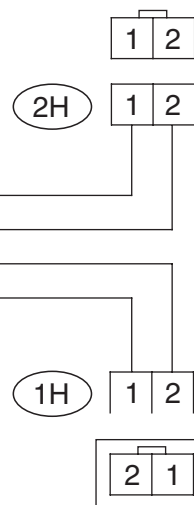
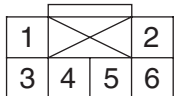
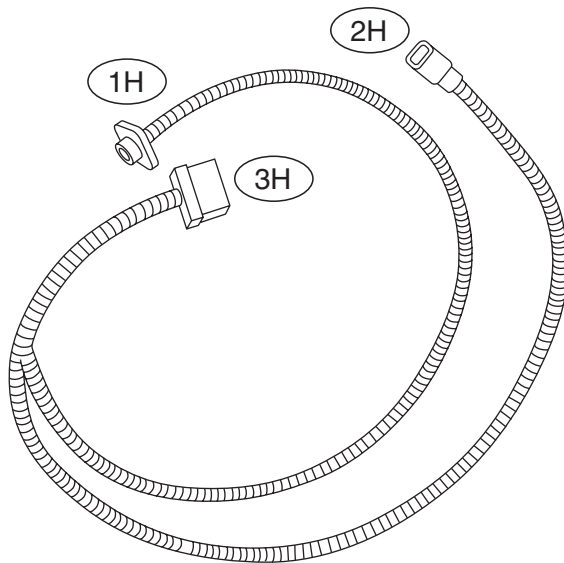


# GENERAL DESCRIPTION

AIRBAG SYSTEM (DIAGNOSTICS)

## 2. TEST HARNESS H

PN 98299FA030



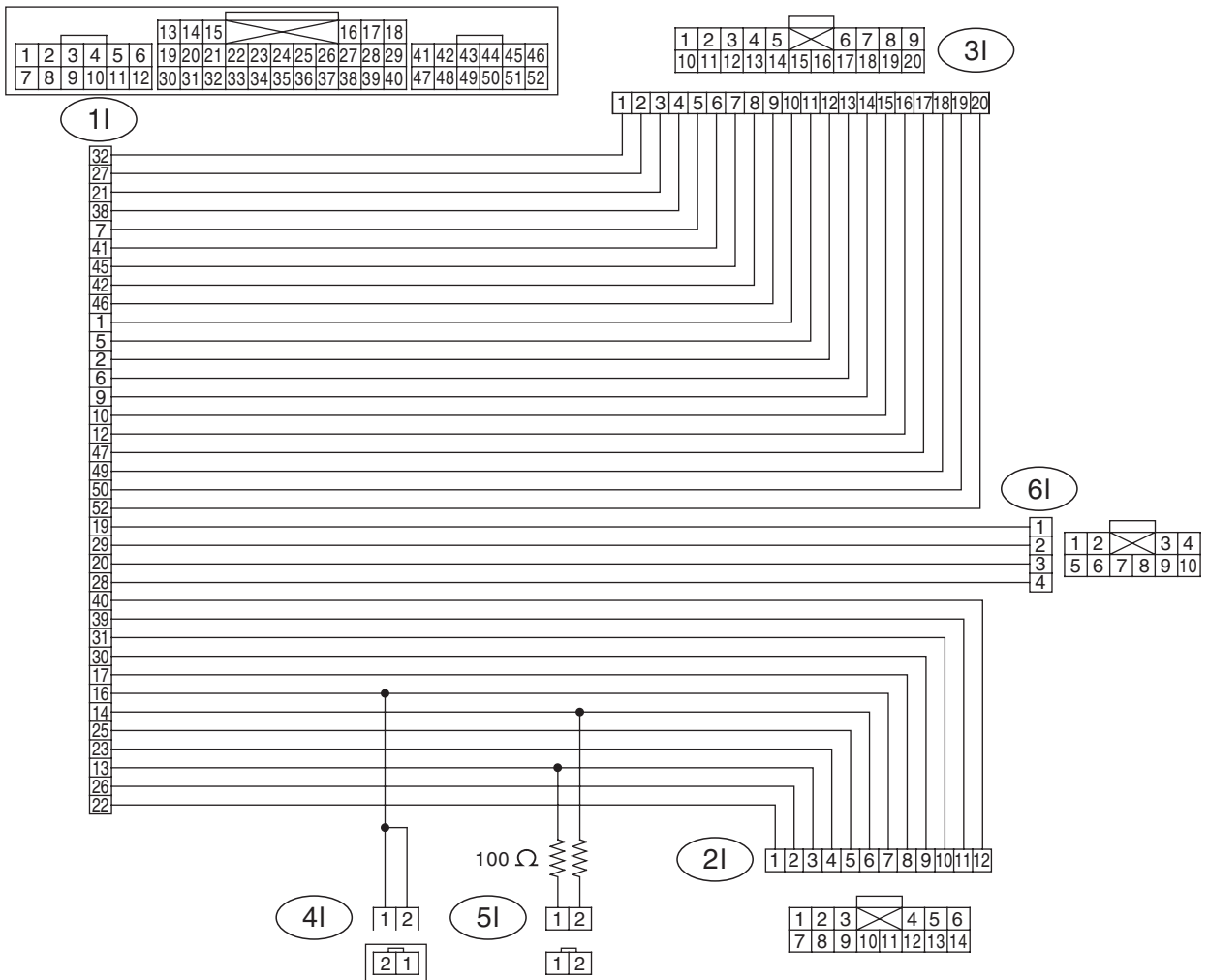
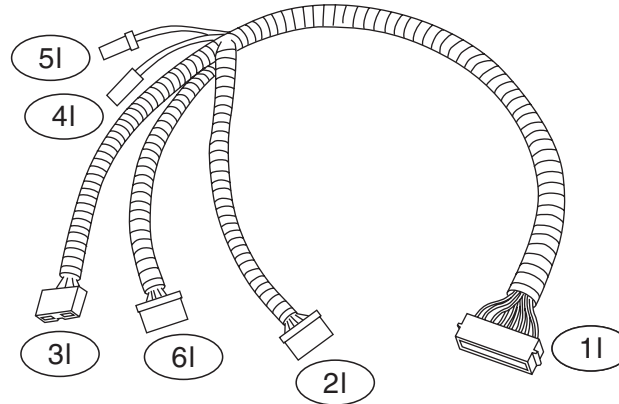
AB-00060

# GENERAL DESCRIPTION

AIRBAG SYSTEM (DIAGNOSTICS)

## 3. TEST HARNESS I2

PN 98299FC041



AB-00282

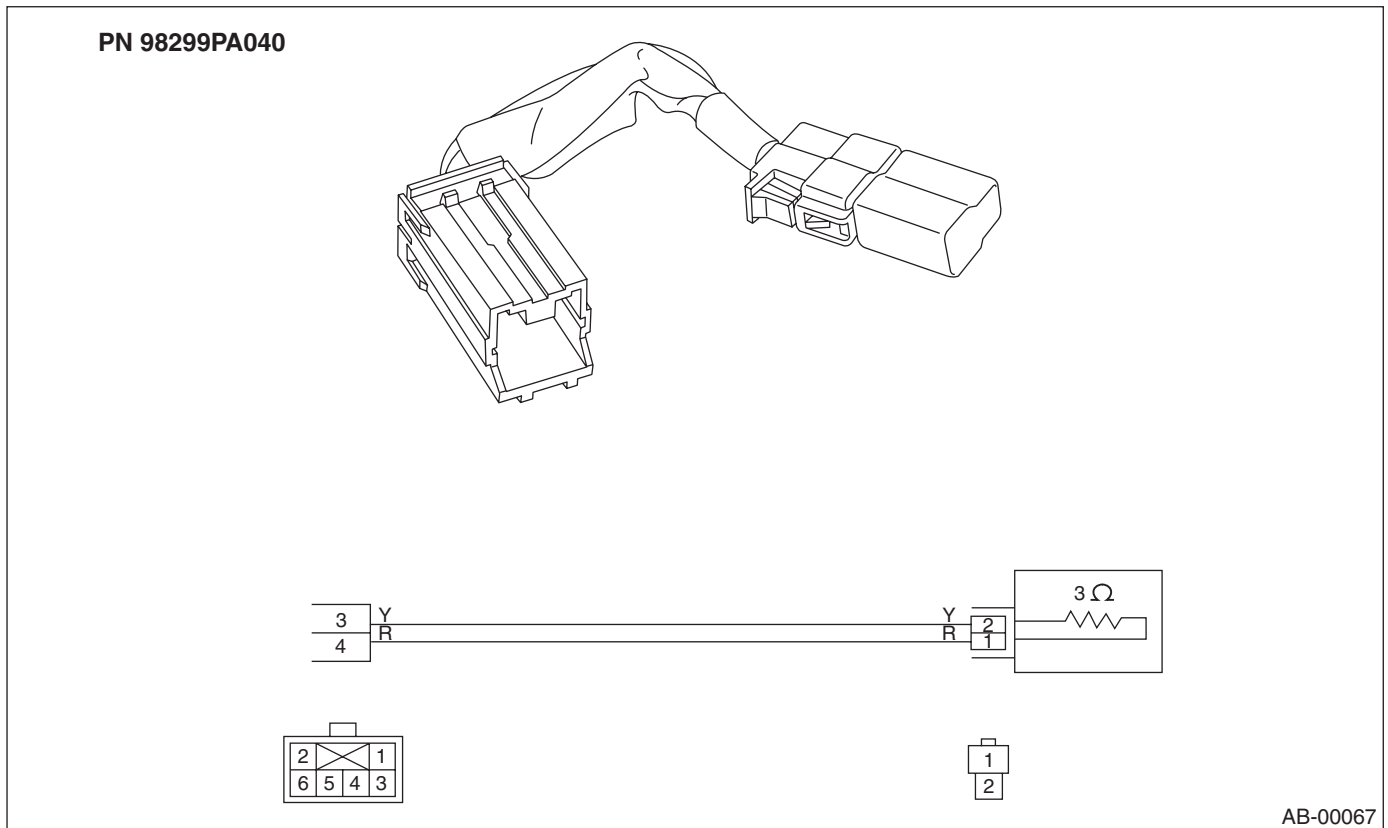


# GENERAL DESCRIPTION

## AIRBAG SYSTEM (DIAGNOSTICS)

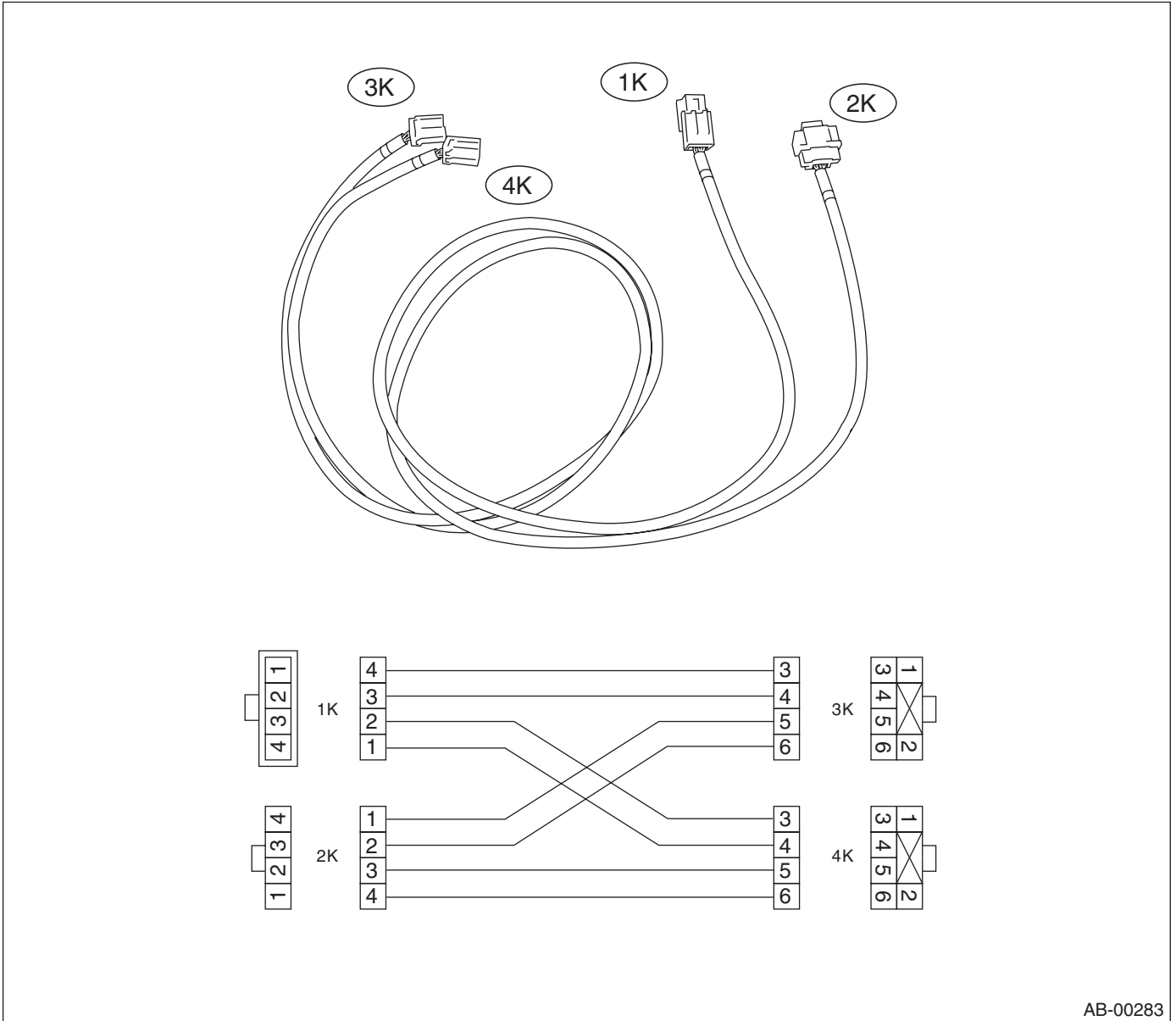
### 4. AIRBAG RESISTOR

The airbag resistor is used during diagnostics. The airbag resistor has the same resistance as the airbag module and thus provides safety when used instead of the airbag module. It also makes it possible to finish diagnostics in less time.



# GENERAL DESCRIPTION

## 5. TEST HARNESS K



AB-00283