

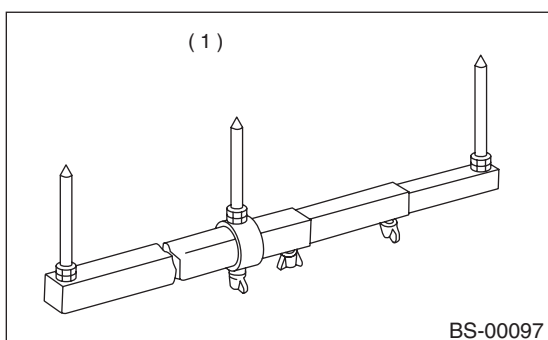
## 3. Datum Dimensions

### A: MEASUREMENT

Refer to LOCATION for details on measurement points. <Ref. to BS-3, LOCATION, Datum Points.>

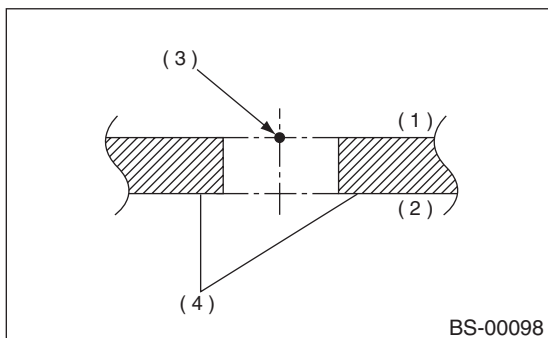
NOTE:

- Using a tram tracking gauge, measure all the dimensions.
- When using a tape measure, carefully measure dimensions without letting the tape measure sag or twist.
- Measure the linear dimensions between cores of holes.
- Suffixes “RH” and “LH” indicate right-hand and left-hand.



(1) Tram tracking gauge

- Measure at the center of the circle around the outside of the body panel.

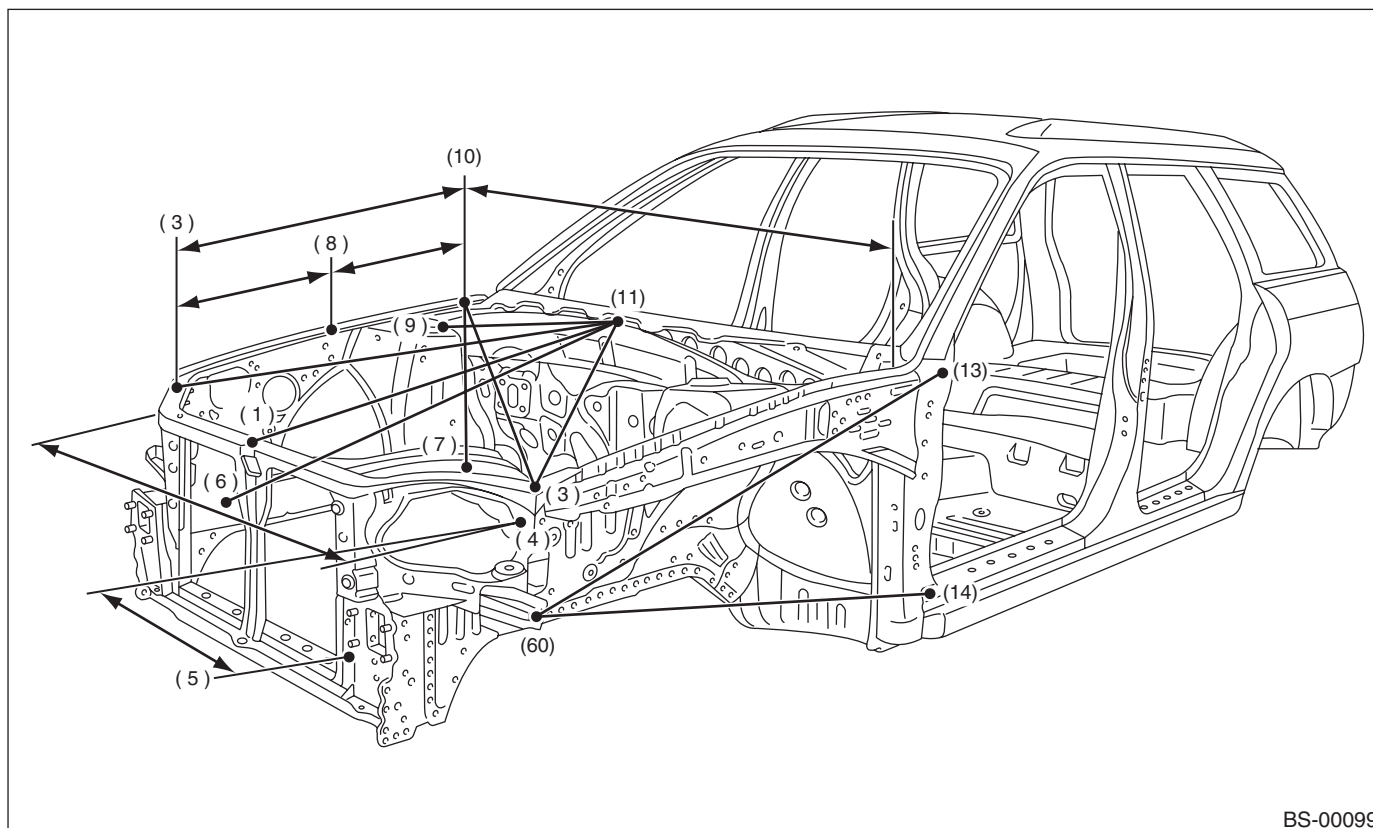


- (1) Outside
- (2) Inside
- (3) Datum point
- (4) Body panel

# DATUM DIMENSIONS

BODY STRUCTURE

## 1. FRONT STRUCTURE



BS-00099

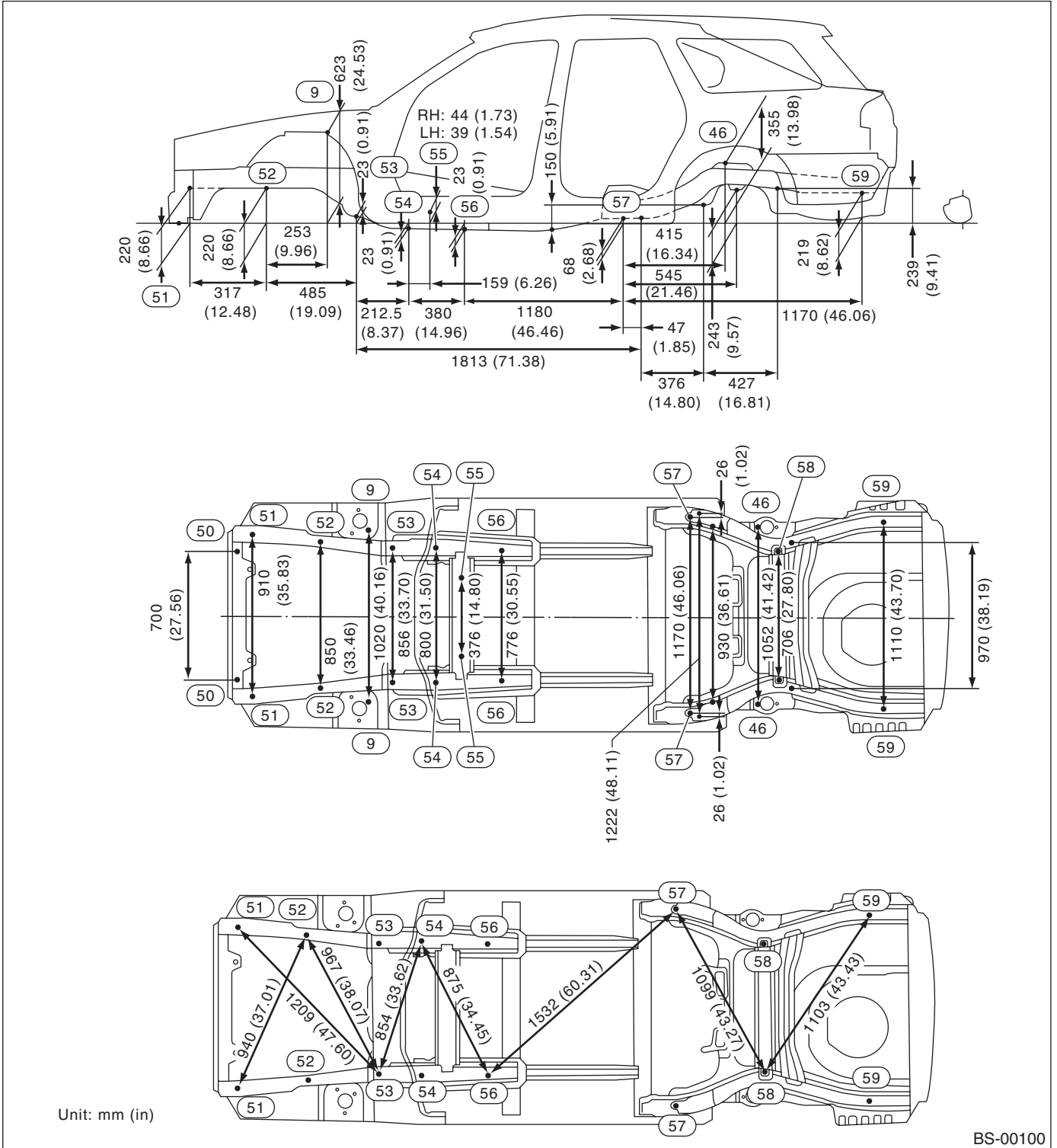
Point to point	Dimension	Point to point	Dimension
(11) to (1)	888 (34.96)	(4) RH to (4) LH	1,320 (51.97)
(11) to (9) RH	519 (20.43)	(5) RH to (4) LH	1,073 (42.24)
(11) to (9) LH	519 (20.43)	(5) LH to (4) RH	1,073 (42.24)
(11) to (6) RH	950 (37.40)	(60) RH to (13) RH	1,179 (46.42)
(11) to (6) LH	950 (37.40)	(60) LH to (13) LH	1,179 (46.42)
(11) to (3) RH	1,008 (39.68)	(60) RH to (14) RH	1,135 (44.68)
(11) to (3) LH	1,008 (39.68)	(60) LH to (14) LH	1,135 (44.68)
(10) RH to (3) RH	897 (35.31)	(10) RH to (3) LH	1,679 (66.10)
(10) RH to (8) RH	504 (19.84)	(10) LH to (3) RH	1,679 (66.10)
(10) LH to (8) LH	504 (19.84)	(8) RH to (8) LH	1,398 (55.04)
(9) RH to (9) LH	1,020 (40.16)	(8) RH to (10) LH	1,519 (59.80)
(6) RH to (6) LH	740 (29.13)	(8) LH to (10) RH	1,519 (59.80)
(6) RH to (10) LH	1,522 (59.92)	(3) RH to (8) LH	1,439 (56.65)
(6) LH to (10) RH	1,522 (59.92)	(3) LH to (8) RH	1,439 (56.65)
(8) RH to (3) RH	395 (15.55)	(7) RH to (7) LH	870 (34.25)
(8) LH to (3) LH	395 (15.55)	(7) RH to (6) LH	943 (37.13)
(10) RH to (10) LH	1,470 (57.87)	(7) LH to (6) RH	943 (37.13)
(3) RH to (3) LH	1,370 (53.94)	(7) RH to (10) LH	1,322 (52.05)
(5) RH to (5) LH	720 (28.35)	(7) LH to (10) RH	1,322 (52.05)

Unit: mm (in)

# DATUM DIMENSIONS

BODY STRUCTURE

## 2. CENTER STRUCTURE



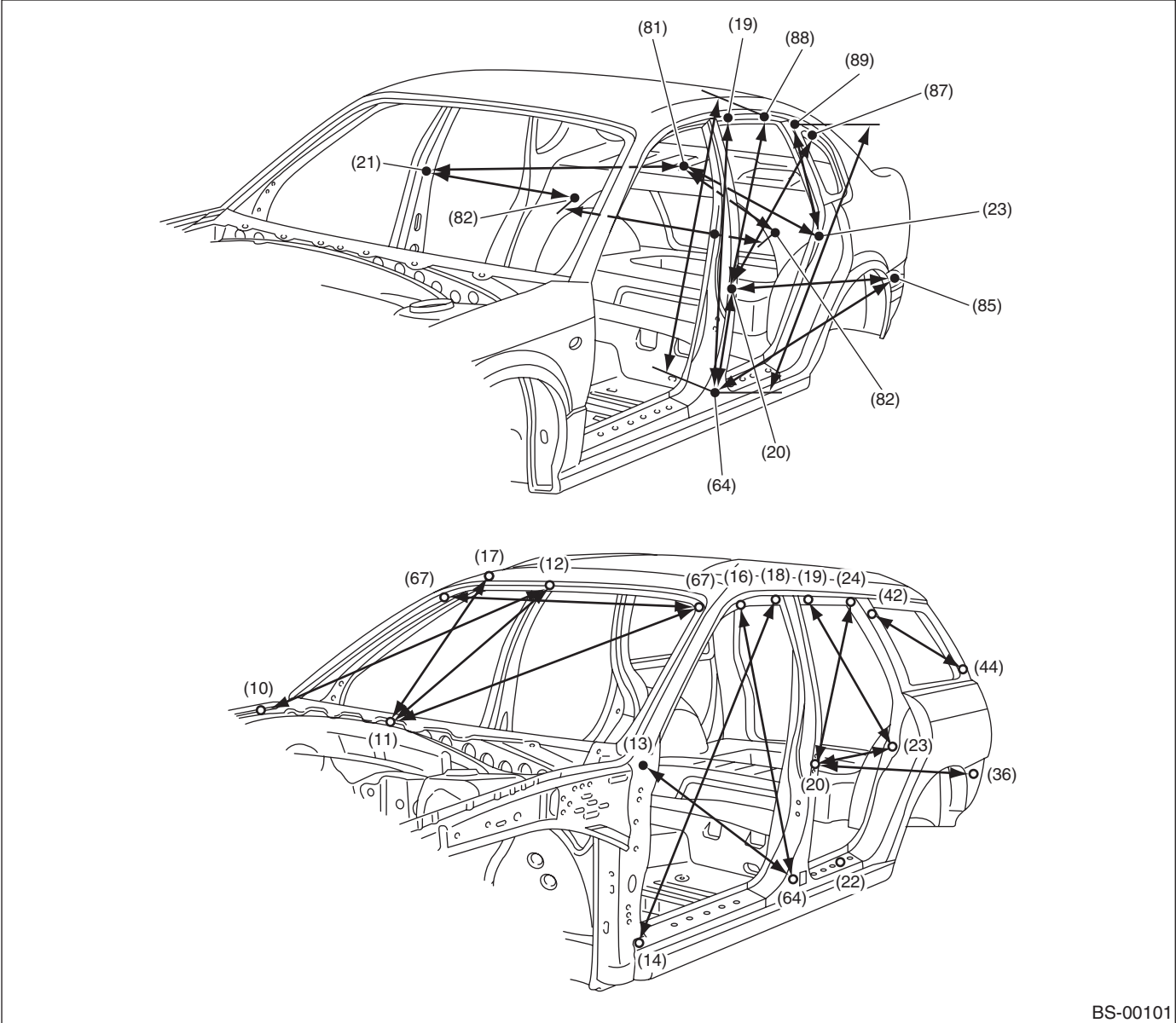
BS-00100

MEMO:

# DATUM DIMENSIONS

## BODY STRUCTURE

### 3. WINDSHIELD AND DOORS



BS-00101

# DATUM DIMENSIONS

BODY STRUCTURE

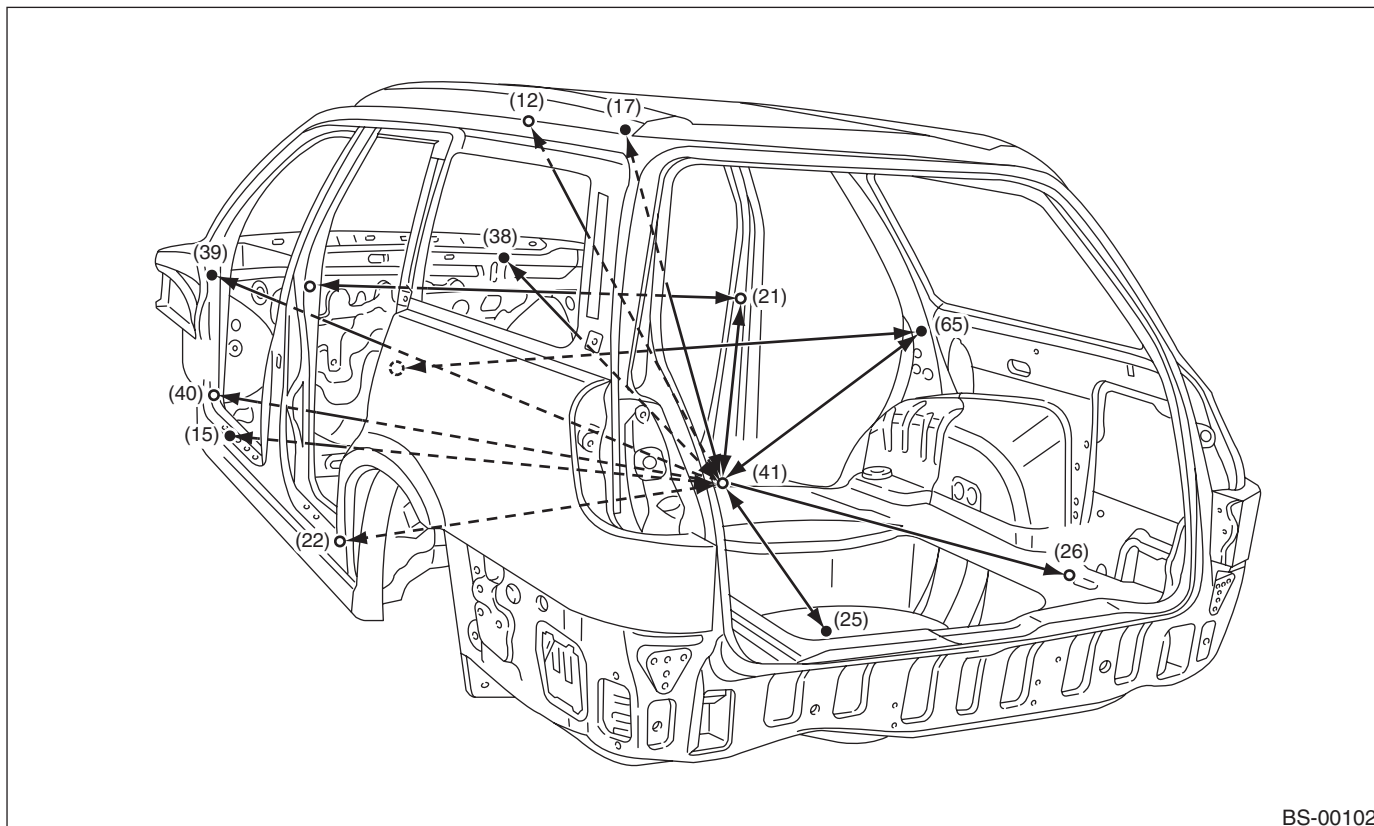
Point to point	Dimension	Point to point	Dimension
(14) RH to (18) RH	1,425 (56.10)	(12) to (10) RH	1,136 (44.72)
(14) LH to (18) LH	1,425 (56.10)	(12) to (10) LH	1,136 (44.72)
(13) RH to (64) RH	1,030 (40.55)	(11) to (17) RH	1,130 (44.49)
(13) LH to (64) LH	1,030 (40.55)	(11) to (17) LH	1,130 (44.49)
(16) RH to (64) RH	966 (38.03)	(81) to (82) RH	611 (24.06)
(16) LH to (64) LH	966 (38.03)	(81) to (82) LH	611 (24.06)
(20) RH to (23) RH	864 (34.02)	(81) to (21) RH	1,309 (51.54)
(20) LH to (23) LH	864 (34.02)	(81) to (21) LH	1,309 (51.54)
(20) RH to (24) RH	860 (33.86)	(81) to (23) RH	812 (31.97)
(20) LH to (24) LH	860 (33.86)	(81) to (23) LH	812 (31.97)
(19) RH to (23) RH	899 (35.39)	(82) LH to (21) LH	1,019 (40.12)
(19) LH to (23) LH	899 (35.39)	(82) RH to (21) LH	1,606 (63.23)
(20) RH to (36) RH	1,548 (60.94)	(82) RH to (82) LH	1,140 (44.88)
(20) LH to (36) LH	1,548 (60.94)	(85) LH to (20) LH	1,548 (60.94)
(42) RH to (44) RH	1,037 (40.83)	(85) LH to (64) LH	1,650 (64.96)
(42) LH to (44) LH	1,037 (40.83)	(19) LH to (64) LH	1,029 (40.51)
(11) to (12)	989 (38.94)	(20) LH to (87) LH	911 (35.87)
(67) RH to (67) LH	1,100 (43.31)	(20) LH to (88) LH	842 (33.15)
(11) to (67) RH	1,119 (44.06)	(20) LH to (64) LH	399 (15.71)
(11) to (67) LH	1,119 (44.06)	(23) LH to (89) LH	552 (21.73)
(12) to (67) RH	551 (21.69)	(88) LH to (64) LH	1,192 (46.93)
(12) to (67) LH	551 (21.69)	(89) LH to (64) LH	1,204 (47.40)

Unit: mm (in)

# DATUM DIMENSIONS

## BODY STRUCTURE

### 4. COMPARTMENT



BS-00102

Point to point	Dimension	Point to point	Dimension
(21) RH to (21) LH	1,351 (53.19)	(41) to (22) LH	738 (29.06)
(15) RH to (15) LH	1,455 (57.28)	(41) to (26) RH	1,459 (57.44)
(22) RH to (22) LH	1,455 (57.28)	(41) to (26) LH	1,459 (57.44)
(39) RH to (39) LH	1,385 (54.53)	(41) to (25)	1,290 (50.79)
(40) RH to (40) LH	1,392 (54.80)	(41) to (12)	1,228 (48.35)
(41) to (38)	1,639 (64.53)	(41) to (21) RH	940 (37.01)
(41) to (39) RH	1,642 (64.65)	(41) to (21) LH	940 (37.01)
(41) to (39) LH	1,642 (64.65)	(41) to (17) RH	1,261 (49.65)
(41) to (40) RH	1,531 (60.28)	(41) to (17) LH	1,261 (49.65)
(41) to (40) LH	1,531 (60.28)	(65) RH to (65) LH	1,307 (51.46)
(41) to (15) RH	1,342 (52.83)	(41) to (65) RH	969 (38.15)
(41) to (15) LH	1,342 (52.83)	(41) to (65) LH	969 (38.15)
(41) to (22) RH	738 (29.06)		

Unit: mm (in)

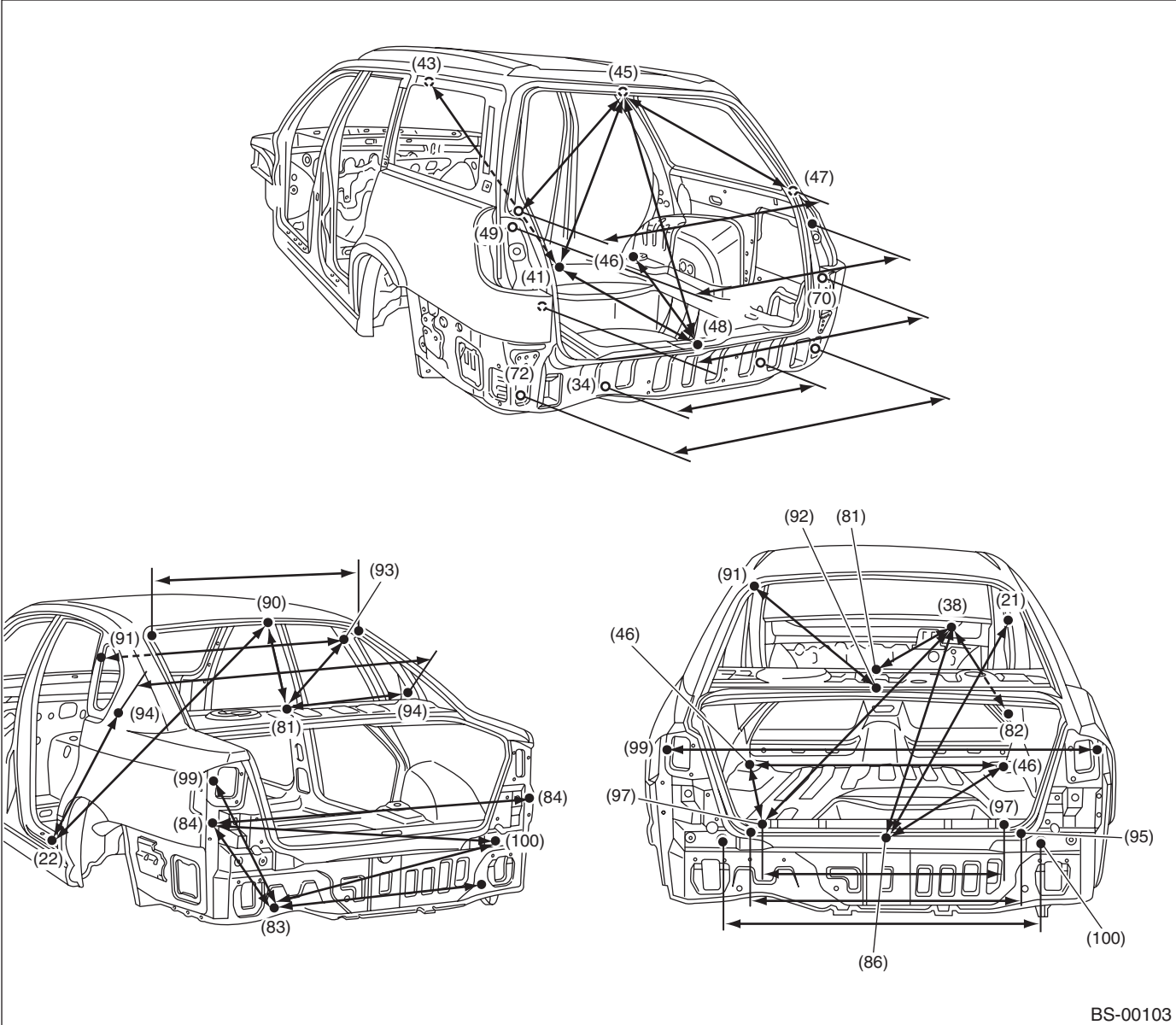
**MEMO:**



# DATUM DIMENSIONS

## BODY STRUCTURE

### 5. TRUNK LID AND REAR GATE



# DATUM DIMENSIONS

BODY STRUCTURE

Point to point	Dimension	Point to point	Dimension
(45) to (48)	974 (38.35)	(84) RH to (84) LH	1,410 (55.51)
(45) to (47) RH	797 (31.38)	(100) RH to (84) LH	1,226 (48.27)
(45) to (47) LH	797 (31.38)	(86) to (21) RH	2,073 (81.61)
(47) RH to (47) LH	1,289 (50.75)	(86) to (21) LH	2,086 (82.13)
(49) RH to (49) LH	1,313 (51.69)	(86) to (38)	3,143 (123.74)
(34) RH to (34) LH	700 (27.56)	(86) to (46) RH	1,121 (44.13)
(41) to (45)	1,482 (58.35)	(86) to (46) LH	1,140 (44.88)
(41) to (43) RH	1,206 (47.48)	(86) to (96)	558 (21.97)
(41) to (43) LH	1,199 (47.20)	(90) to (22) RH	1,319 (51.93)
(41) to (48)	1,663 (65.47)	(90) to (22) LH	1,319 (51.93)
(48) to (46) RH	1,191 (46.89)	(22) RH to (94) LH	1,710 (67.32)
(48) to (46) LH	1,191 (46.89)	(22) LH to (94) RH	1,710 (67.32)
(70) RH to (70) LH	1,215 (47.83)	(38) to (97) RH	3,100 (122.05)
(72) RH to (72) LH	1,320 (51.97)	(38) to (97) LH	3,227 (127.05)
(81) to (38)	2,351 (92.56)	(92) to (91) RH	776 (30.55)
(81) to (90)	444 (17.48)	(92) to (91) LH	776 (30.55)
(81) to (93) RH	719 (28.31)	(91) RH to (91) LH	976 (38.43)
(81) to (93) LH	719 (28.31)	(46) LH to (97) LH	1,008 (39.68)
(81) to (94) RH	632 (24.88)	(46) LH to (97) RH	1,374 (54.09)
(81) to (94) LH	632 (24.88)	(46) LH to (46) RH	1,052 (41.42)
(38) to (82) RH	2,178 (85.75)	(93) RH to (93) LH	1,099 (43.27)
(38) to (82) LH	2,419 (95.24)	(94) RH to (94) LH	1,257 (49.49)
(83) RH to (83) LH	930 (36.61)	(95) RH to (95) LH	1,115 (43.90)
(84) RH to (83) LH	1,216 (47.87)	(97) RH to (97) LH	830 (32.68)
(99) RH to (83) LH	1,246 (49.06)	(99) RH to (99) LH	1,370 (53.94)
(100) RH to (83) LH	991 (39.02)	(100) RH to (100) LH	1,020 (40.16)

Unit: mm (in)

**DATUM DIMENSIONS**

BODY STRUCTURE

---

**MEMO:**