

2. Horn System

A: SCHEMATIC

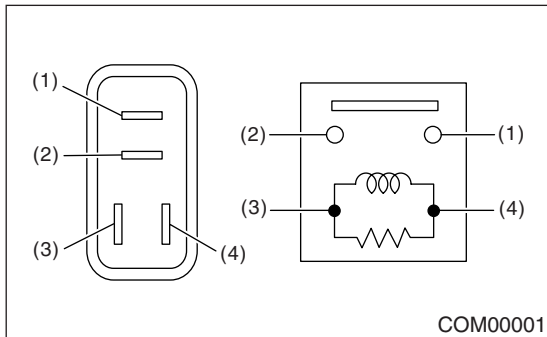
1. HORN

<Ref. to WI-115, SCHEMATIC, Horn System.>

B: INSPECTION

1. HORN RELAY

Measure horn relay resistance between terminals (indicated in table below) while connecting terminal No. 4 to battery positive terminal and terminal No. 3 to battery ground terminal.



Current	Terminal No.	Standard
Flow	1 and 2	Less than 1 Ω
No flow		More than 1 MΩ