

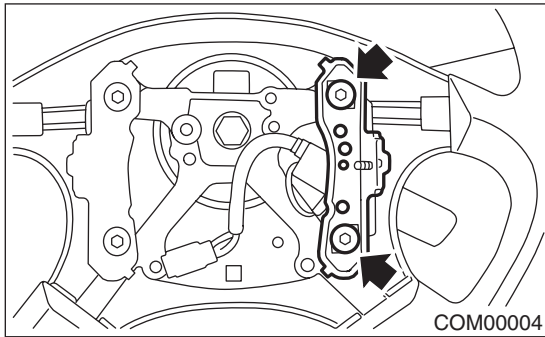
4. Horn Switch

A: REMOVAL

WARNING:

Before servicing, be sure to read the notes in the AB section for proper handling of the driver airbag module. <Ref. to AB-3, CAUTION, General Description.>

- 1) Disconnect negative cable from battery.
- 2) Remove the driver's airbag module. <Ref. to AB-13, Driver's Airbag Module.>
- 3) Remove horn switch from steering wheel.

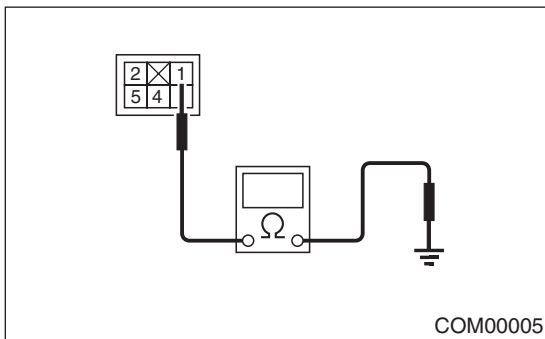


B: INSTALLATION

Install in the reverse order of removal.

C: INSPECTION

Measure horn switch resistance.



Switch position	Terminal No.	Standard
When horn switch is pushed.	1 and Body ground	Less than 1 Ω
When horn switch is not pushed.		More than 1 MΩ

HORN SWITCH

COMMUNICATION SYSTEM

MEMO: