

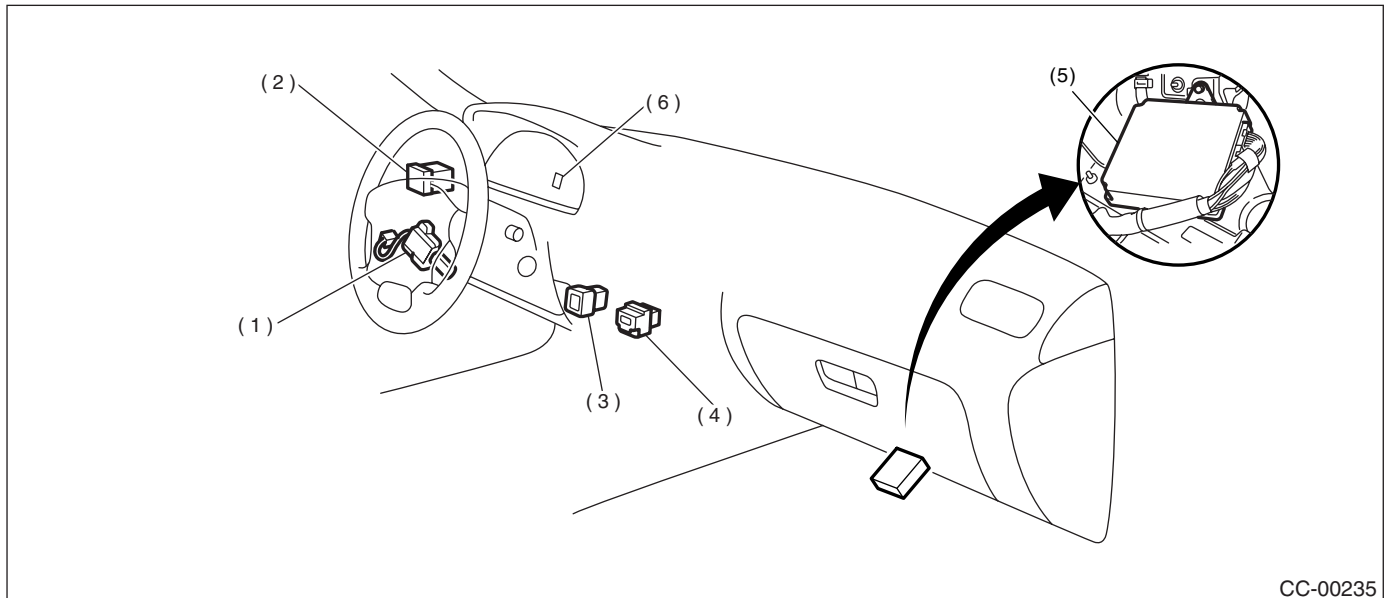
GENERAL DESCRIPTION

CRUISE CONTROL SYSTEM

1. General Description

A: COMPONENT

1. MODEL WITH ELECTRONIC CONTROL THROTTLE



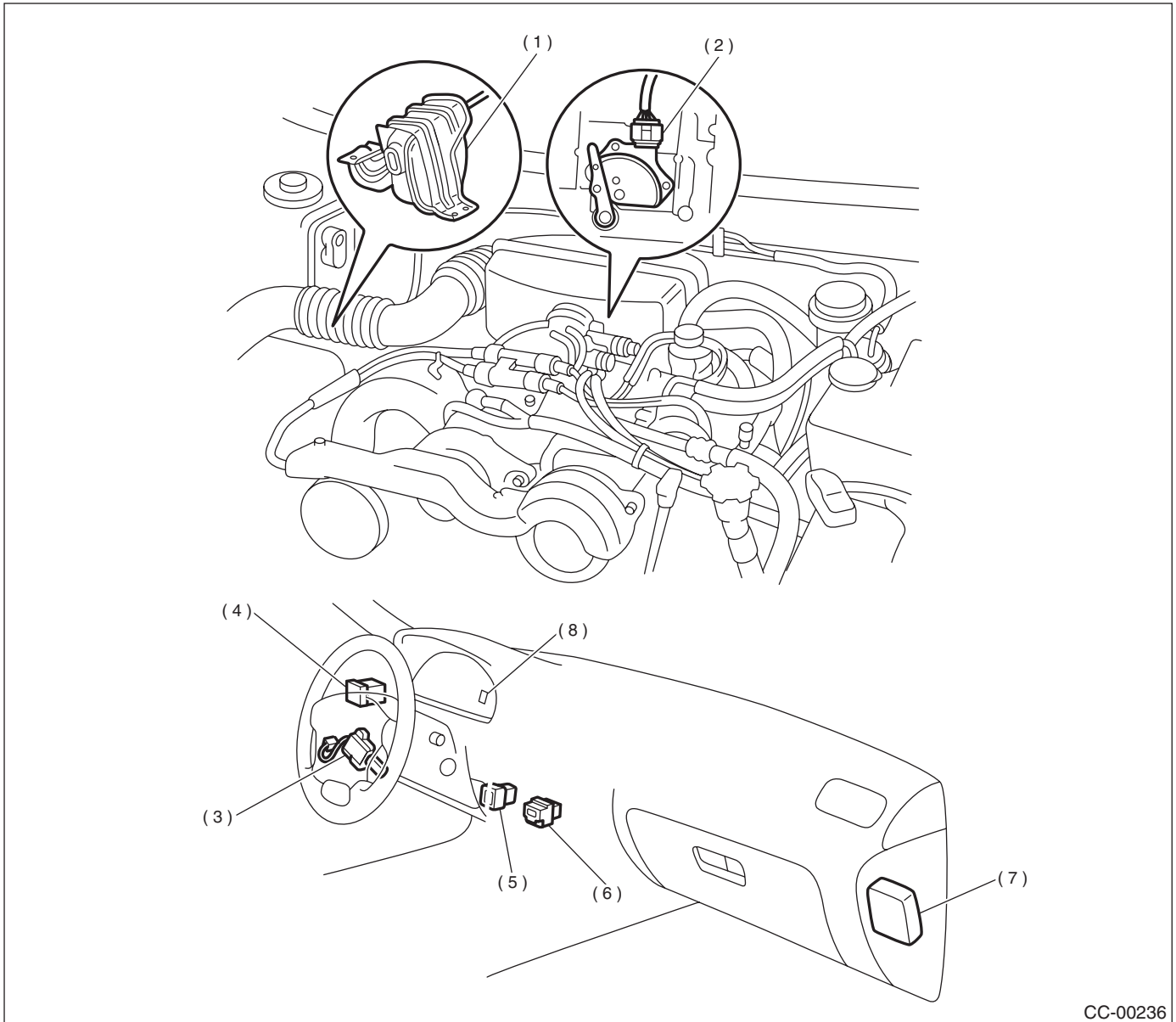
CC-00235

- (1) Cruise control command switch
- (2) Cruise control main switch (Built-in cruise indicator light)

- (3) Clutch switch (MT)
- (4) Stop and brake switch

- (5) Engine control module
- (6) Cruise set indicator light

2. MODEL WITHOUT ELECTRONIC CONTROL THROTTLE



- | | | |
|-----------------------------------|--|--------------------------------|
| (1) Actuator | (4) Cruise control main switch (Built-in cruise indicator light) | (6) Stop and brake switch |
| (2) Inhibitor switch (AT) | (5) Clutch switch (MT) | (7) Cruise control module |
| (3) Cruise control command switch | | (8) Cruise set indicator light |

GENERAL DESCRIPTION

CRUISE CONTROL SYSTEM

B: CAUTION

- Before disassembling or reassembling parts, always disconnect the battery ground cable. When repairing the radio, control module and other parts with memory functions, make note of the memory before disconnecting the battery ground cable. All memory will be erased.
- Reassemble parts in the reverse order of disassembly unless otherwise indicated.
- Adjust parts to specifications specified in this manual.
- Connect connectors and hoses securely during reassembly.
- After reassembly, ensure functional parts operate properly.

C: PREPARATION TOOL

TOOL NAME	REMARKS
Circuit tester	Used for measuring resistance and voltage.