

GENERAL DESCRIPTION

CRUISE CONTROL SYSTEM (DIAGNOSTICS)

2. General Description

A: CAUTION

1. SUPPLEMENTAL RESTRAINT SYSTEM “AIRBAG”

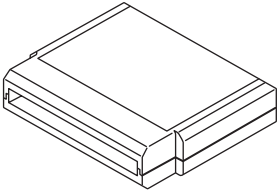

Airbag system wiring harness is routed near the cruise control module and cruise control command switch.

CAUTION:

- All airbag system wiring harness and connectors are colored yellow. Do not use electrical test equipment on these circuits.
- Be careful not to damage airbag system wiring harness when servicing the cruise control module and cruise control command switch.

B: PREPARATION TOOL

1. SPECIAL TOOLS

ILLUSTRATION	TOOL NUMBER	DESCRIPTION	REMARKS
 ST24082AA260	24082AA260	CARTRIDGE	Troubleshooting for electrical systems.
 ST22771AA030	22771AA030	SUBARU SELECT MONITOR KIT	Troubleshooting for electrical systems. • English: 22771AA030 (Without printer)

2. GENERAL TOOLS

TOOL NAME	REMARKS
Circuit Tester	Used for measuring resistance, voltage and ampere.

GENERAL DESCRIPTION

CRUISE CONTROL SYSTEM (DIAGNOSTICS)

C: INSPECTION

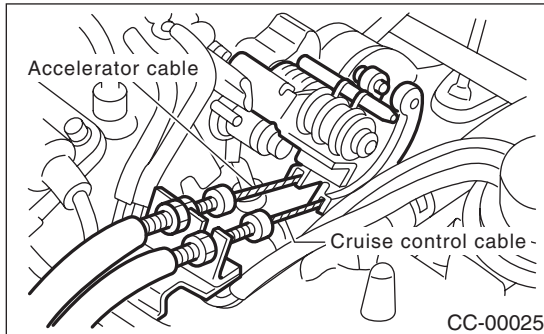
1. BATTERY

Measure battery voltage and specific gravity of electrolyte.

Standard voltage:
12 V, or more

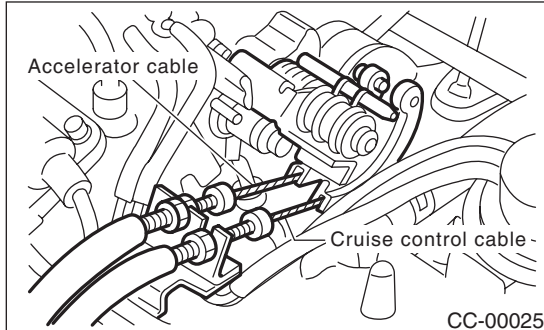
Specific gravity:
Above 1.260

2. CRUISE CONTROL CABLE



Check the cruise control cable installation.
If NG, install the cable securely.

3. ACCELERATOR CABLE

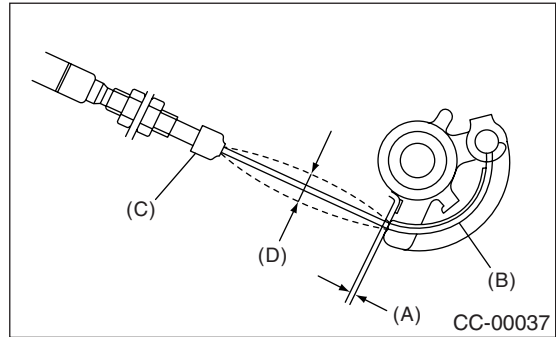


Check movement of the accelerator cable when the cruise control throttle is moved by hand.
If NG, check throttle cam.

4. THROTTLE CAM

Check that the throttle cam moves smoothly.
If NG, repair throttle cam.

5. CABLE FREE PLAY



Check that the clearance (A) between throttle cam (B) and lever or cable deflection (D) is within specifications.

Throttle cam-to-lever clearance:
0 — 1 mm (0 — 0.04 in)

Inner cable deflection:
1 — 8 mm (0.04 — 0.31 in)

If NG, adjust the clearance or the deflection with the adjust nut.

NOTE:

Check that the cap (C) is positioned in the groove.