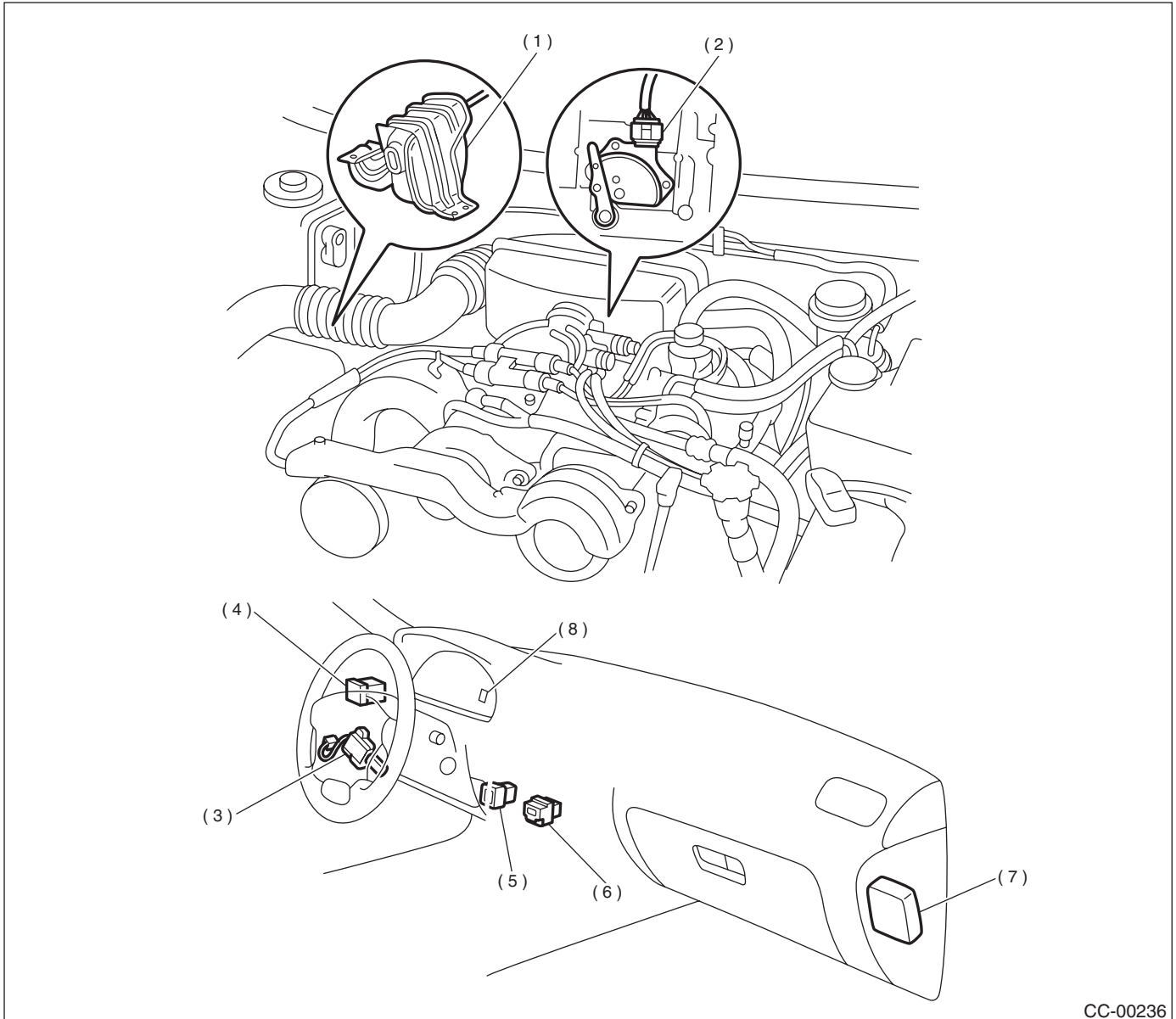


ELECTRICAL COMPONENTS LOCATION

CRUISE CONTROL SYSTEM (DIAGNOSTICS)

3. Electrical Components Location

A: LOCATION



CC-00236

- | | | |
|-----------------------------------|---|--------------------------------|
| (1) Actuator | (4) Cruise control main switch
(Built-in cruise indicator light) | (6) Stop and brake switch |
| (2) Inhibitor switch (AT) | (5) Clutch switch (MT) | (7) Cruise control module |
| (3) Cruise control command switch | | (8) Cruise set indicator light |

ELECTRICAL COMPONENTS LOCATION

CRUISE CONTROL SYSTEM (DIAGNOSTICS)

MEMO: