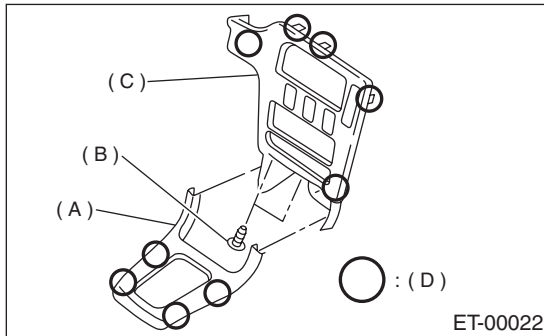


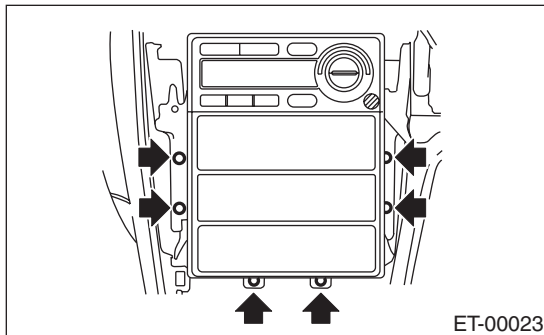
4. Radio

A: REMOVAL

- 1) Disconnect ground cable from battery.
- 2) Remove hook (D) and then remove front cover (A).
- 3) Remove two screws (B), then remove center panel (C) while disconnecting connector from front cover (A).



- 4) Remove fitting screws, and slightly pull radio out from center console.



- 5) Remove harness connectors and antenna feeder cord and then detach A/C control unit.

B: INSTALLATION

Install in the reverse order of removal.