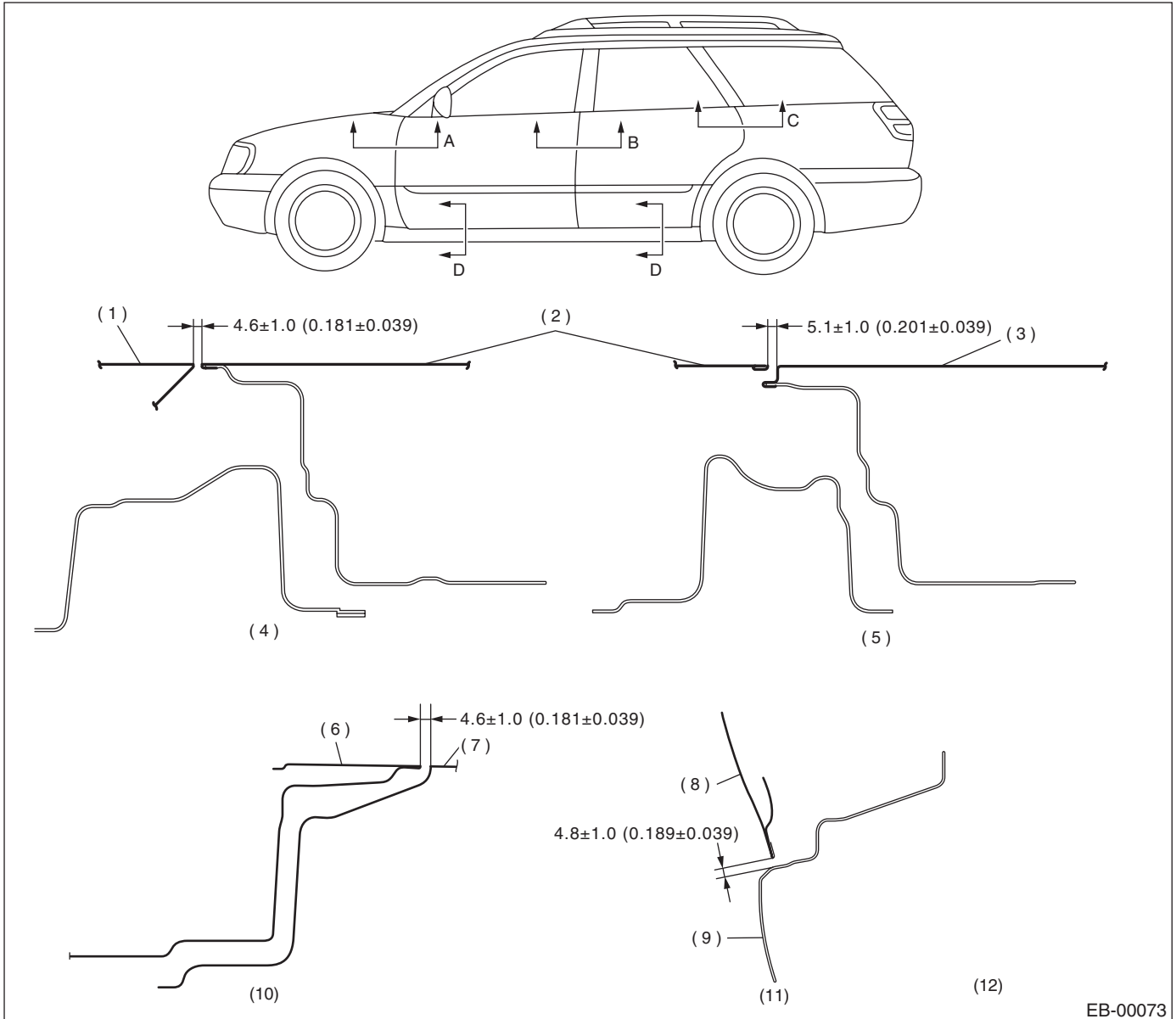


GENERAL DESCRIPTION

EXTERIOR BODY PANELS

1. General Description

A: SPECIFICATIONS

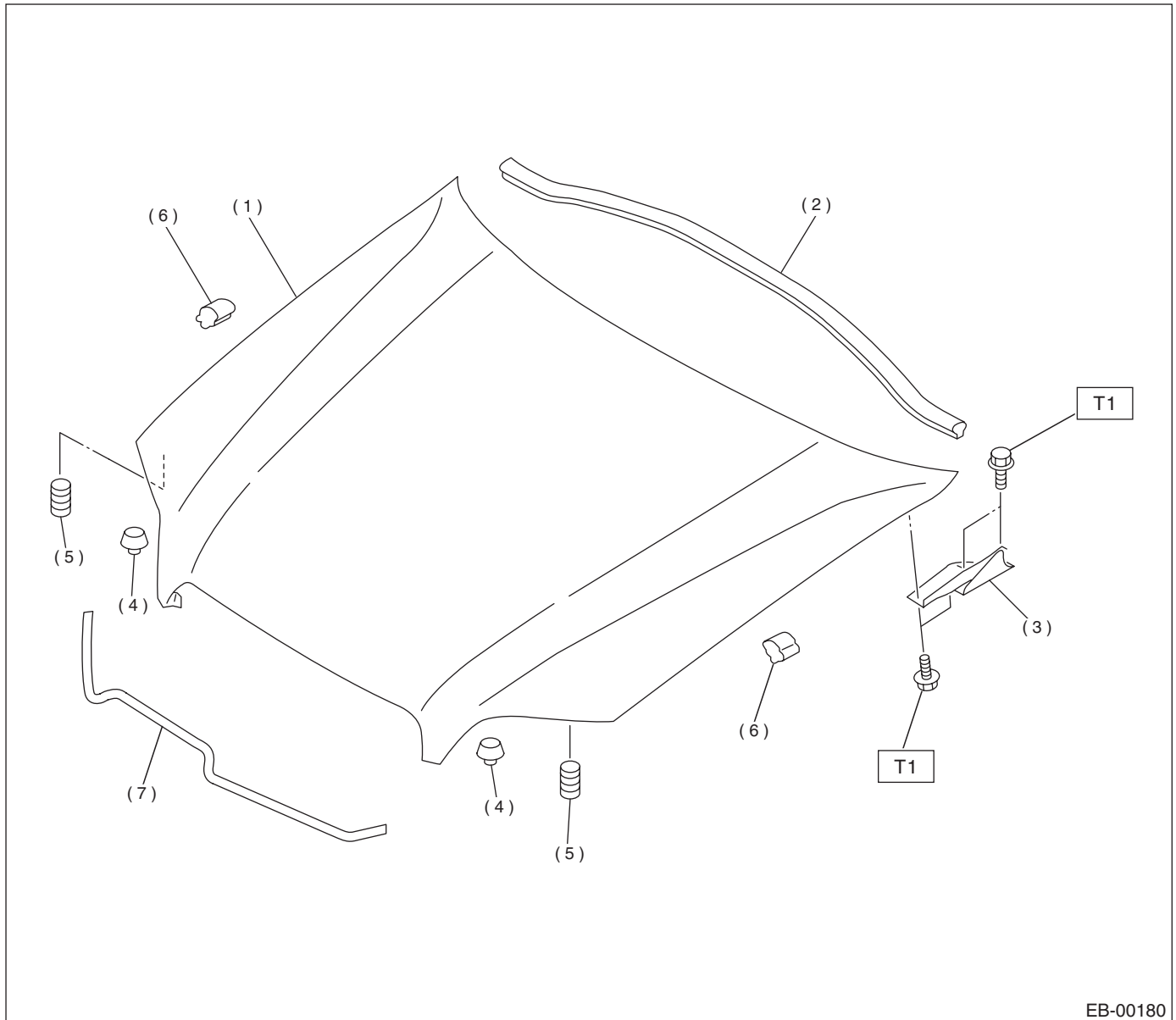


EB-00073

- | | | |
|----------------------|------------------------|--------------------|
| (1) Front fender | (5) Section B | (9) Side sill |
| (2) Front door outer | (6) Rear door outer | (10) Section C |
| (3) Rear door outer | (7) Rear quarter outer | (11) Section D |
| (4) Section A | (8) Door panel | (12) Unit: mm (in) |

B: COMPONENT

1. FRONT HOOD



EB-00180

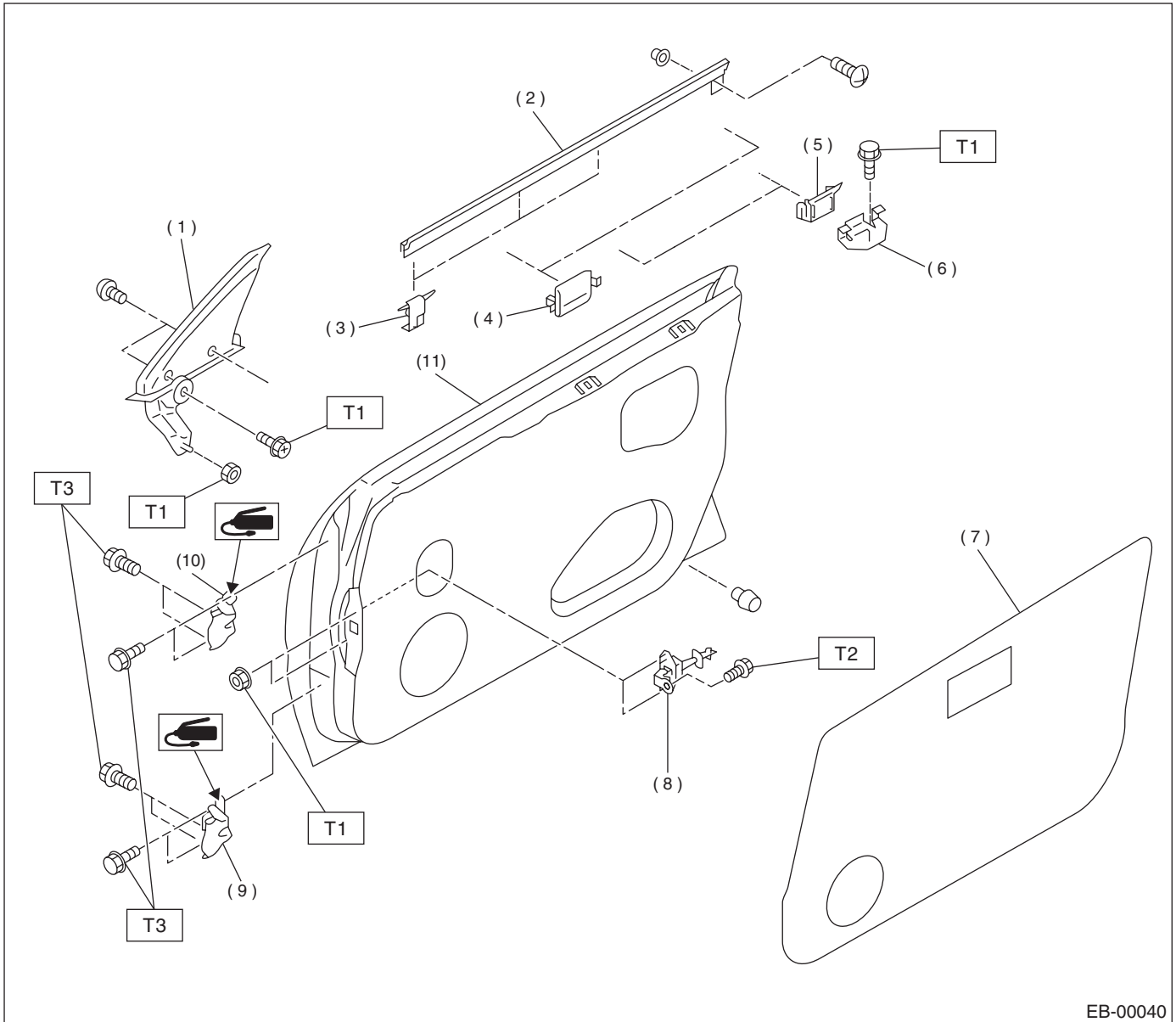
- | | |
|-----------------------|---------------|
| (1) Front hood | (5) Buffer A |
| (2) Seal (Front hood) | (6) Buffer B |
| (3) Hinge | (7) Seal ASSY |
| (4) Buffer C | |

Tightening torque: N·m (kgf·m, ft·lb)
T1: 24.5 (2.5, 18.1)

GENERAL DESCRIPTION

EXTERIOR BODY PANELS

2. FRONT DOOR PANEL



- | | |
|--------------------------------|-------------------|
| (1) Gusset | (7) Sealing cover |
| (2) Weatherstrip (Outer) | (8) Checker |
| (3) Clip (Weatherstrip, outer) | (9) Lower hinge |
| (4) Stabilizer (Lifter) | (10) Upper hinge |
| (5) Stabilizer (Outer) | (11) Door panel |
| (6) Stabilizer (Inner) | |

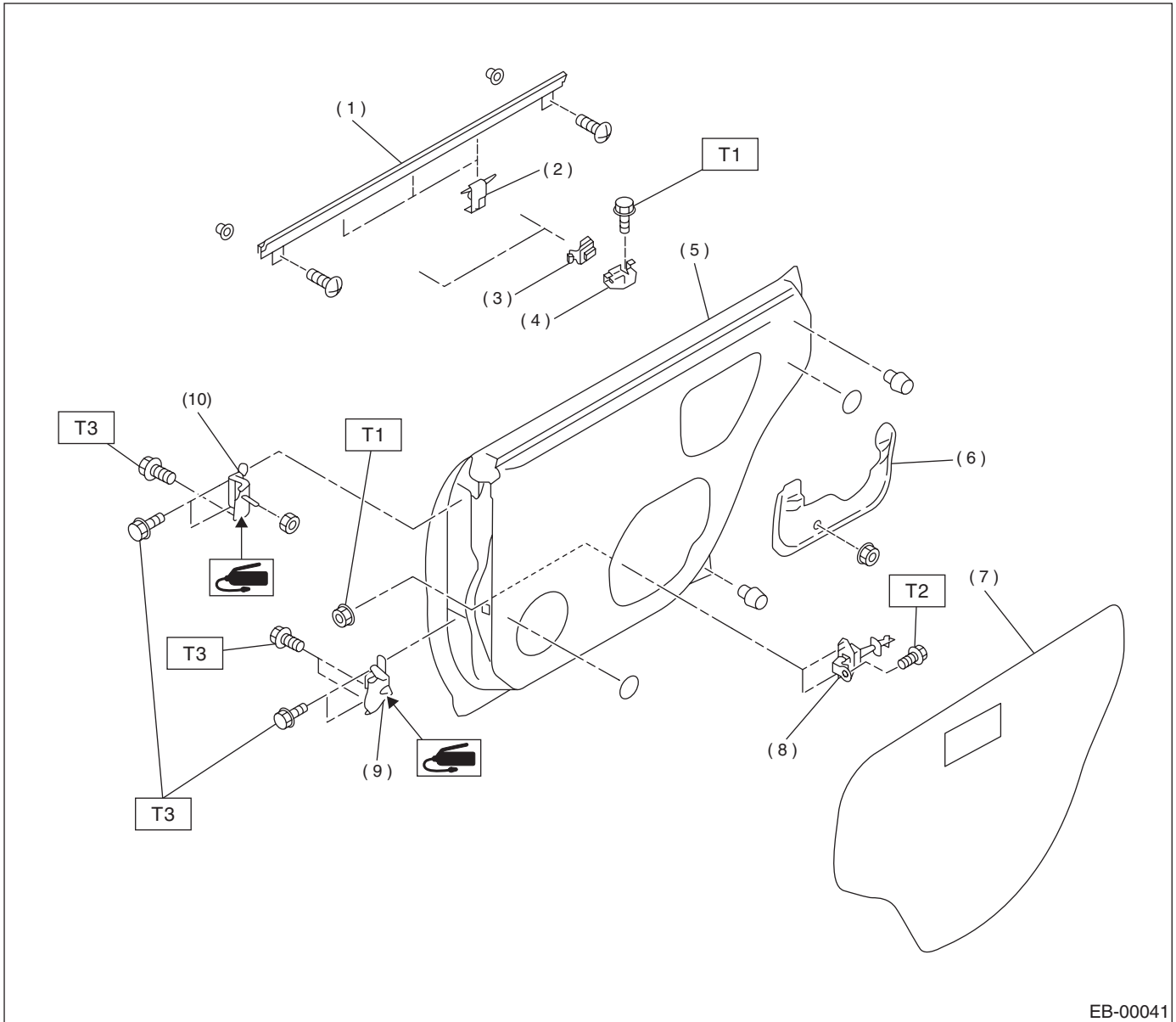
Tightening torque: N·m (kgf·m, ft·lb)

T1: 7.35 (0.75, 5.4)

T2: 18 (1.8, 13)

T3: 30 (3.1, 22.4)

3. REAR DOOR PANEL



EB-00041

- | | |
|--------------------------------|-------------------|
| (1) Weatherstrip (Outer) | (7) Sealing cover |
| (2) Clip (Weatherstrip, outer) | (8) Checker |
| (3) Stabilizer (Outer) | (9) Lower hinge |
| (4) Stabilizer (Inner) | (10) Upper hinge |
| (5) Door panel | |
| (6) Bracket | |

Tightening torque: N·m (kgf·m, ft·lb)

T1: 7.35 (0.75, 5.4)

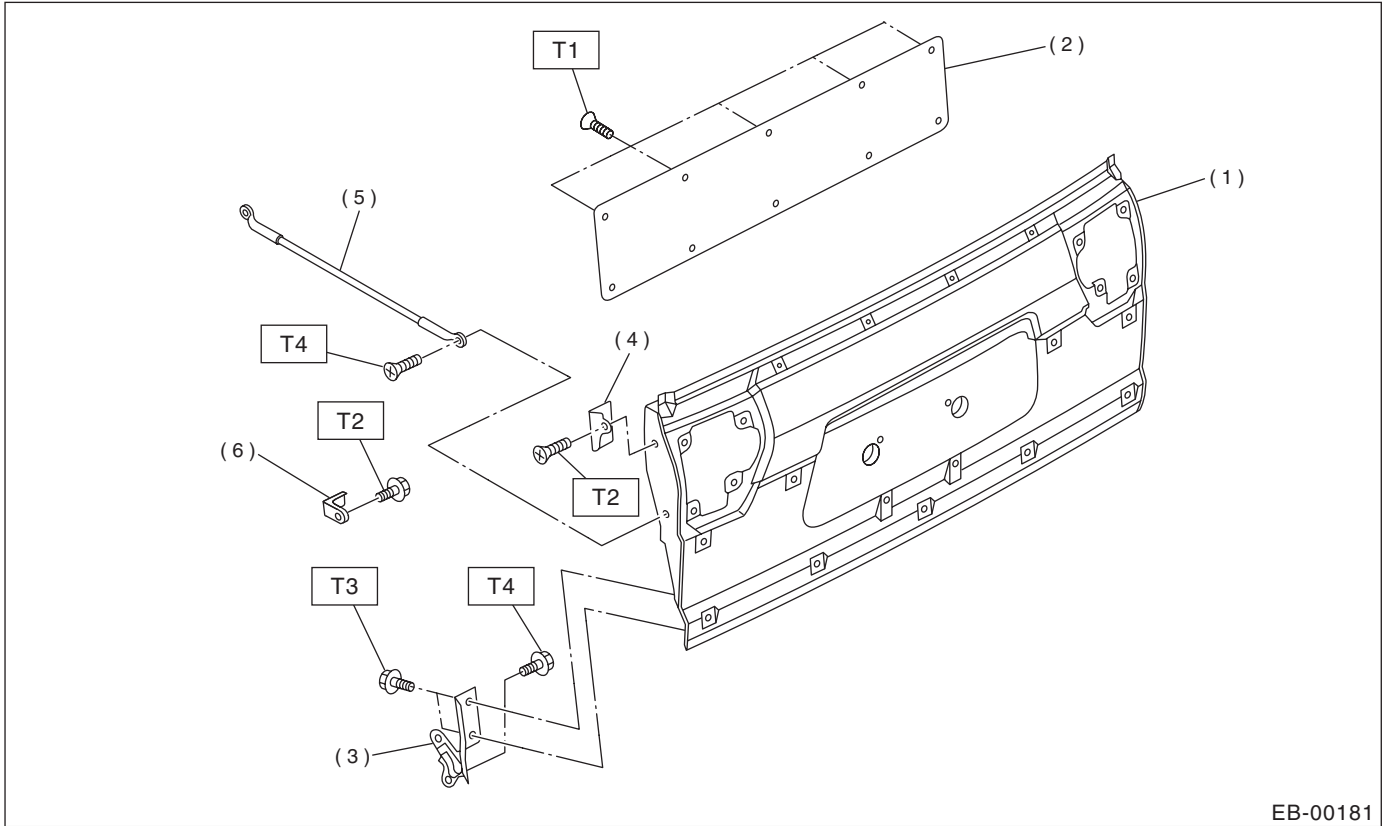
T2: 18 (1.8, 13)

T3: 30 (3.1, 22.4)

GENERAL DESCRIPTION

EXTERIOR BODY PANELS

4. TAIL GATE PANEL



EB-00181

- (1) Tail gate
- (2) Tail gate cover
- (3) Hinge
- (4) Protector
- (5) Tail gate cable
- (6) Buffer

Tightening torque: N-m (kgf-m, ft-lb)

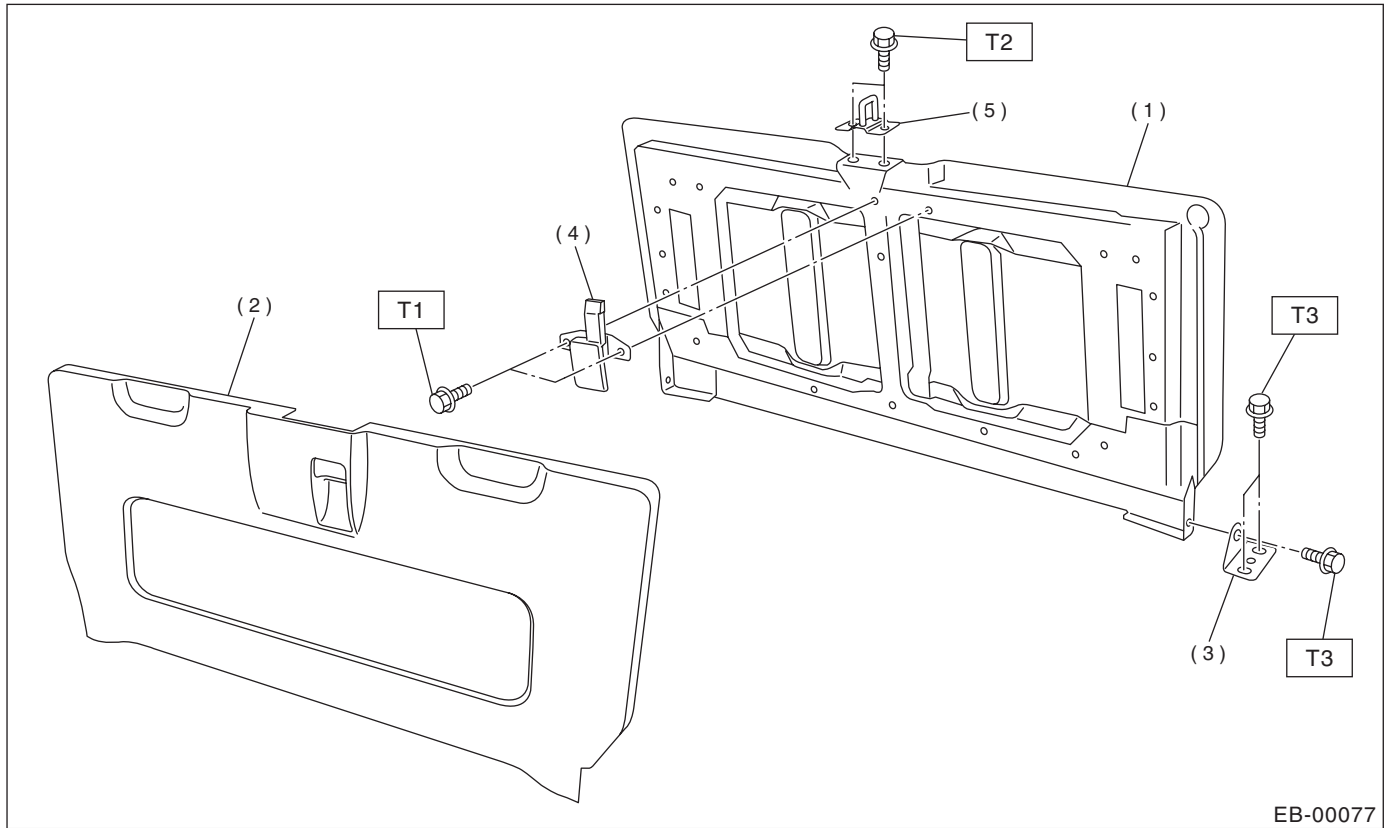
T1: 2 (0.2, 1.4)

T2: 7.5 (0.76, 5.5)

T3: 25 (2.5, 18.1)

T4: 30 (3.1, 22.4)

5. SWITCH BACK GATE



- | | |
|----------------------|-------------------|
| (1) Switch back gate | (4) Release lever |
| (2) Cover | (5) Striker |
| (3) Hinge | |

Tightening torque: N-m (kgf-m, ft-lb)

T1: 7.5 (0.76, 5.5)

T2: 18 (1.8, 13)

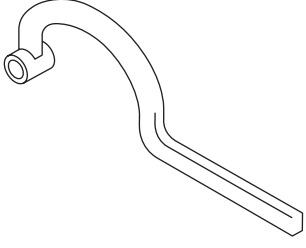
T3: 27.5 (2.80, 20.3)

GENERAL DESCRIPTION

EXTERIOR BODY PANELS

C: PREPARATION TOOL

1. SPECIAL TOOLS

ILLUSTRATION	TOOL NUMBER	DESCRIPTION	REMARKS
 ST-925610000	925610000	WRENCH	Used for removing and installing door hinge.

2. GENERAL TOOL

TOOL NAME	REMARKS
Support Jack	Used for supporting door panel.