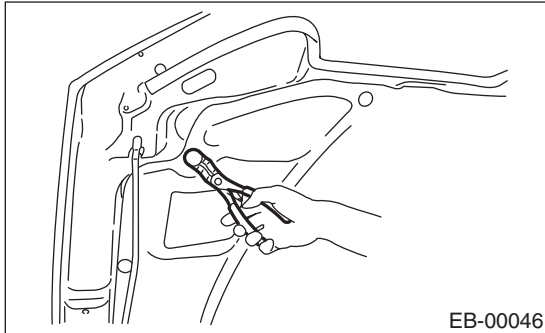


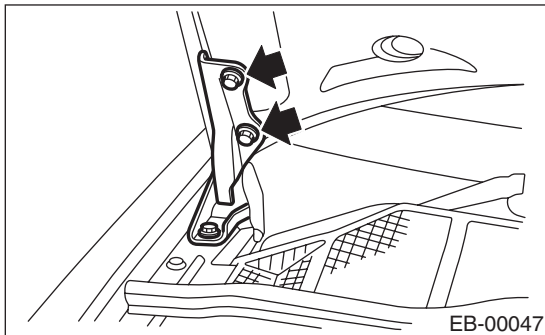
2. Front Hood

A: REMOVAL

- 1) Open front hood to remove washer nozzles.
- 2) Release clips to remove hood insulator.



- 3) Remove bolts to disconnect hood from hinges.



B: INSTALLATION

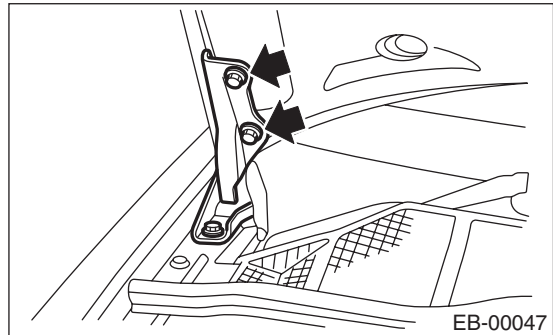
- 1) Install in the reverse order of removal.
- 2) Adjust clearance between hood and fender. Clearance must be equal at both sides.

Tightening torque:

24.5 N·m (2.5 kgf·m, 18.1 ft·lb)

C: ADJUSTMENT

- 1) Use hinge mounting holes to align front hood longitudinally and laterally.



- 2) Adjust height at front end of hood.
<Ref. to SL-40, ADJUSTMENT, Front Hood Lock Assembly.>
- 3) Rotate hood buffer to adjust lateral height.

