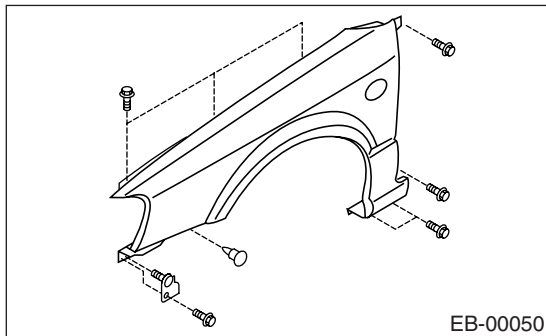


### 3. Fender Panel

#### A: REMOVAL

- 1) Disconnect ground cable from battery.
- 2) Remove side protectors and fender protectors.
- 3) Remove front bumper face. <Ref. to EI-18, REMOVAL, Front Bumper.>
- 4) Remove headlights. <Ref. to LI-11, REMOVAL, Headlight Assembly.>
- 5) Remove mud guard. <Ref. to EI-26, REMOVAL, Mud Guard.>
- 6) Remove bolts and clips to remove front fender.



#### B: INSTALLATION

- 1) Install in the reverse order of removal.
- 2) When fender panel is installed, clearance between fender panel and hood or front fender must be equal.

#### ***Tightening torque:***

***7.35 N·m (0.75 kgf-m, 5.4 ft-lb)***