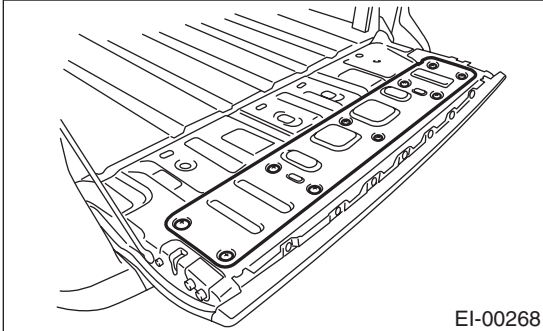


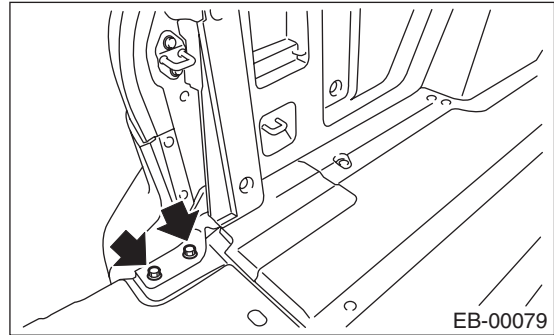
8. Tail Gate Panel

A: REMOVAL

- 1) Remove tail gate tray. <Ref. to EI-56, REMOVAL, Tail Gate Tray.>
- 2) Remove tail gate cover.



- 9) Remove bolts and detach tail gate.



B: INSTALLATION

Install in the reverse order of removal.

Tightening torque:

25 N·m (2.6 kgf-m, 18 ft-lb)

- 3) Remove rear finisher right. <Ref. to LI-20, REMOVAL, Rear Finisher Light Assembly.>
- 4) Remove tail gate garnish. <Ref. to EI-55, REMOVAL, Tail Gate Garnish.>
- 5) Remove tail gate latch. <Ref. to SL-56, REMOVAL, Tail Gate Latch Assembly.>
- 6) Remove tail gate outer handle. <Ref. to SL-55, REMOVAL, Tail Gate Outer Handle.>
- 7) Remove wire harness.
- 8) Remove tail gate cable.

