

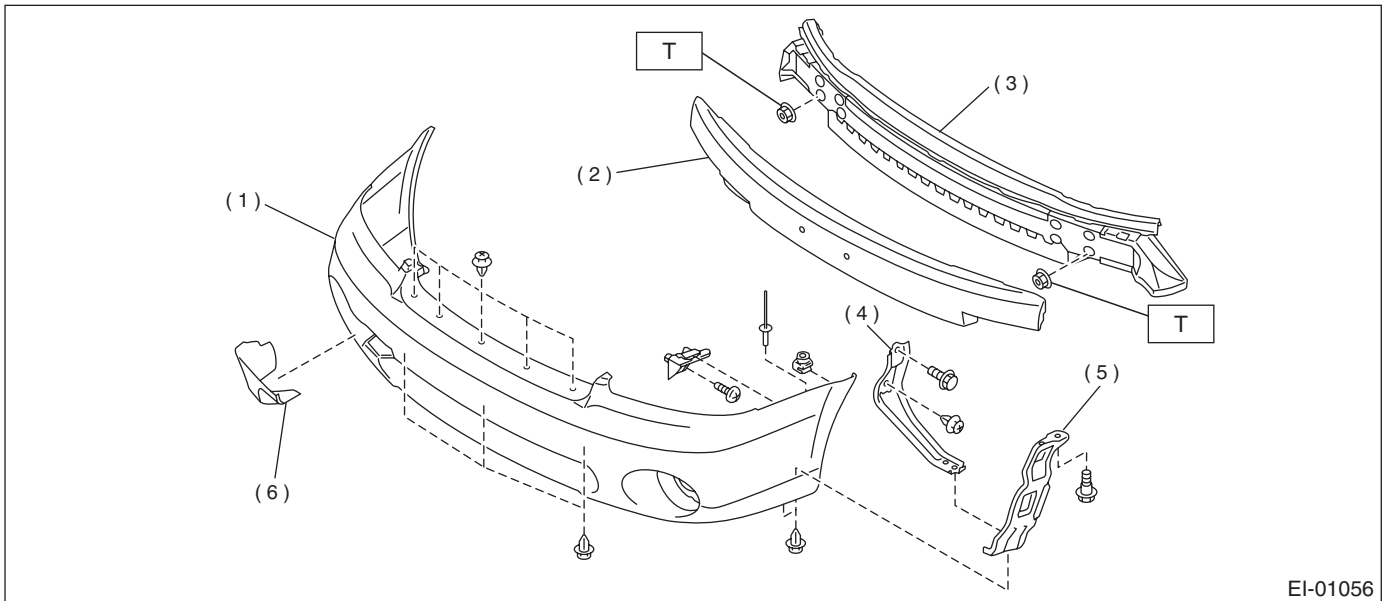
GENERAL DESCRIPTION

EXTERIOR/INTERIOR TRIM

1. General Description

A: COMPONENT

1. FRONT BUMPER



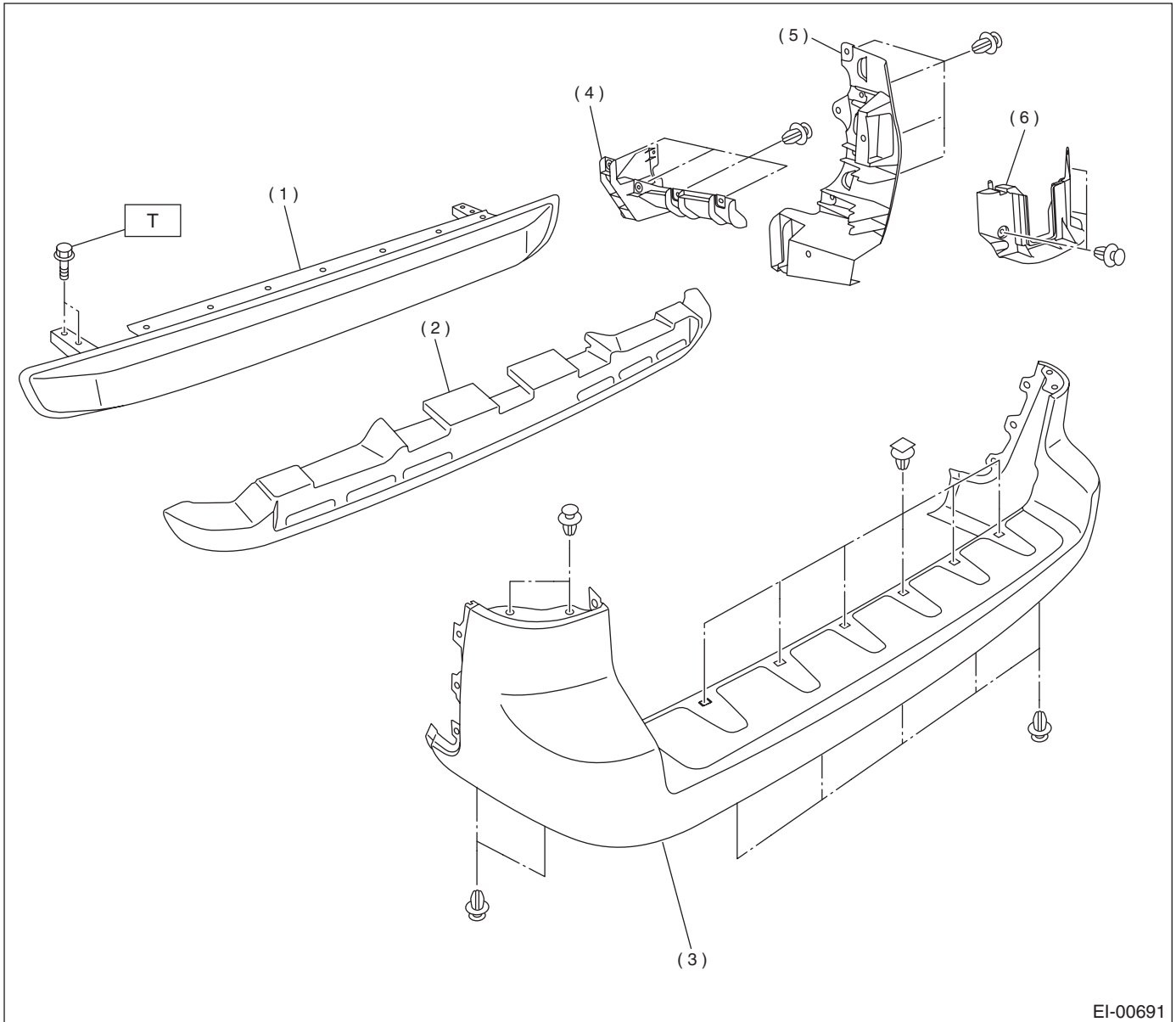
EI-01056

- | | |
|----------------------------|---------------------------|
| (1) Bumper face | (5) Side bracket |
| (2) Bumper energy absorber | (6) Cover (Tie down hook) |
| (3) Bumper beam | (7) Cover |
| (4) Side stay | |

Tightening torque: N-m (kgf-m, ft-lb)

T: 33 (3.4, 25)

2. REAR BUMPER



EI-00691

- | | |
|----------------------------|----------------------|
| (1) Bumper beam | (4) Side lower cover |
| (2) Bumper energy absorber | (5) Side bracket |
| (3) Bumper face | (6) Lower cover |

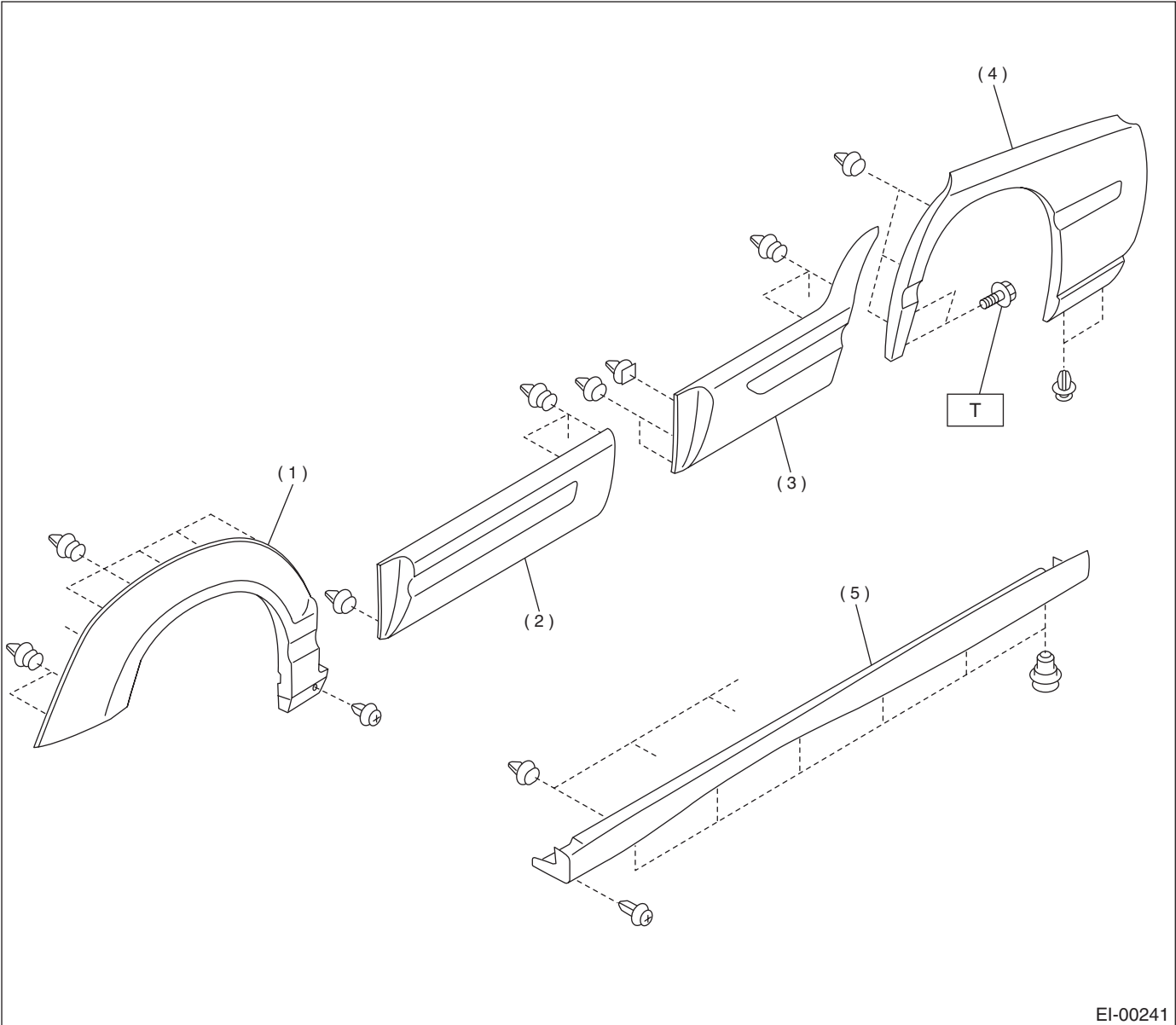
Tightening torque: N·m (kgf·m, ft·lb)

T: 95 (9.7, 70)

GENERAL DESCRIPTION

EXTERIOR/INTERIOR TRIM

3. SIDE PROTECTOR



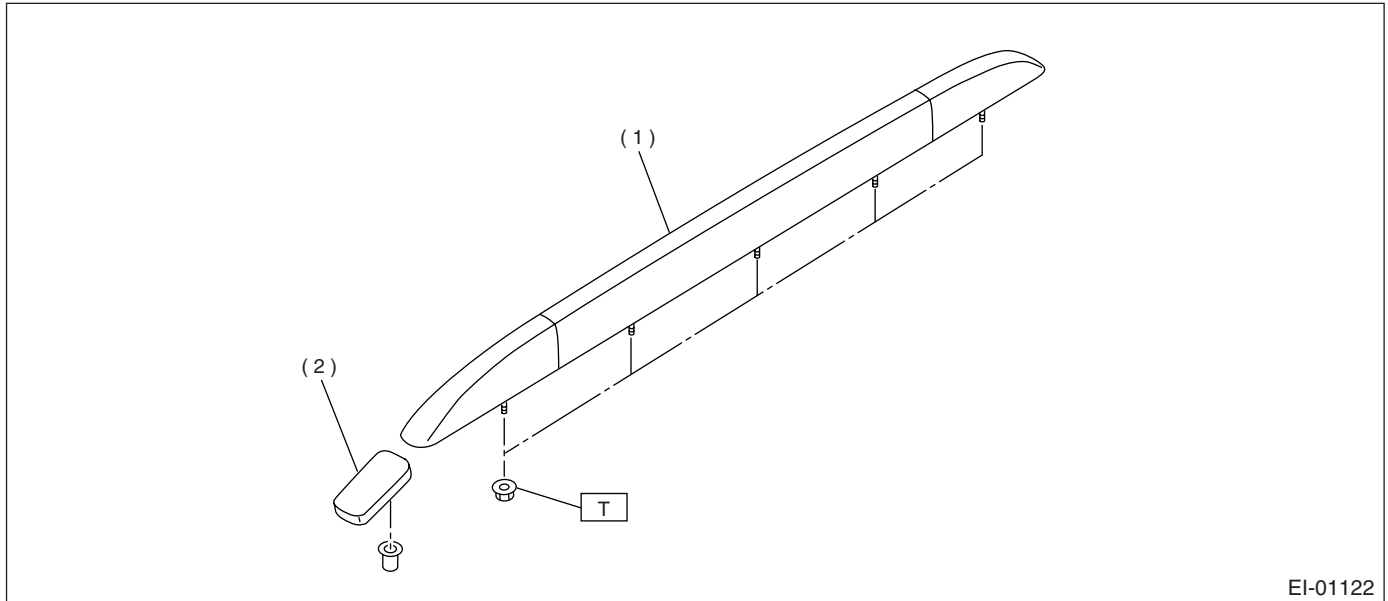
EI-00241

- (1) Side garnish (Front fender)
- (2) Side garnish (Front door)

- (3) Side garnish (Rear door)
- (4) Side garnish (Rear quarter)

- (5) Side garnish (Side sill)

4. ROOF RAIL



EI-01122

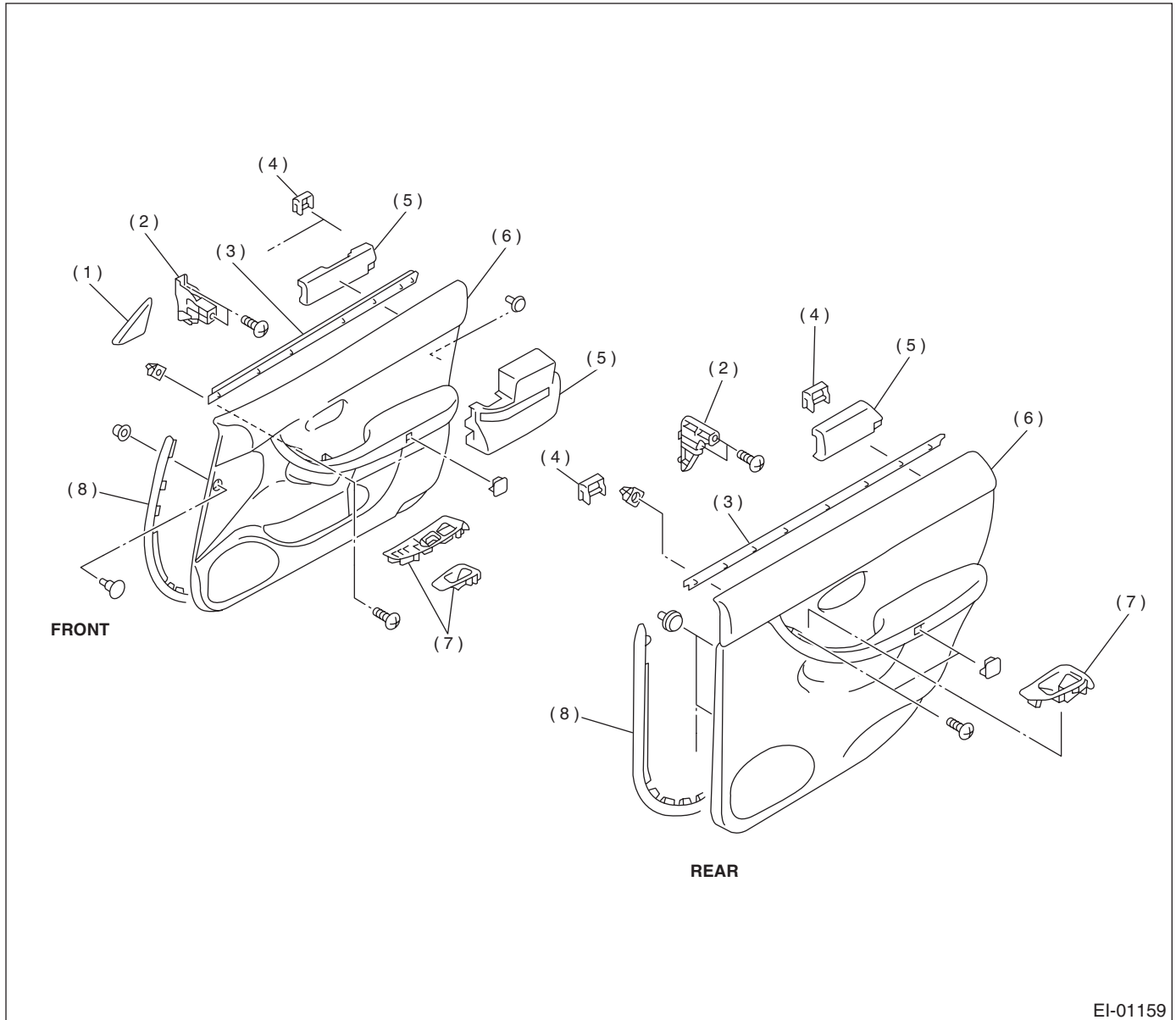
- (1) Roof rail
- (2) Roof molding

Tightening torque: N·m (kgf·m, ft·lb)
T: 7.5 (0.76, 5.53)

GENERAL DESCRIPTION

EXTERIOR/INTERIOR TRIM

5. DOOR TRIM

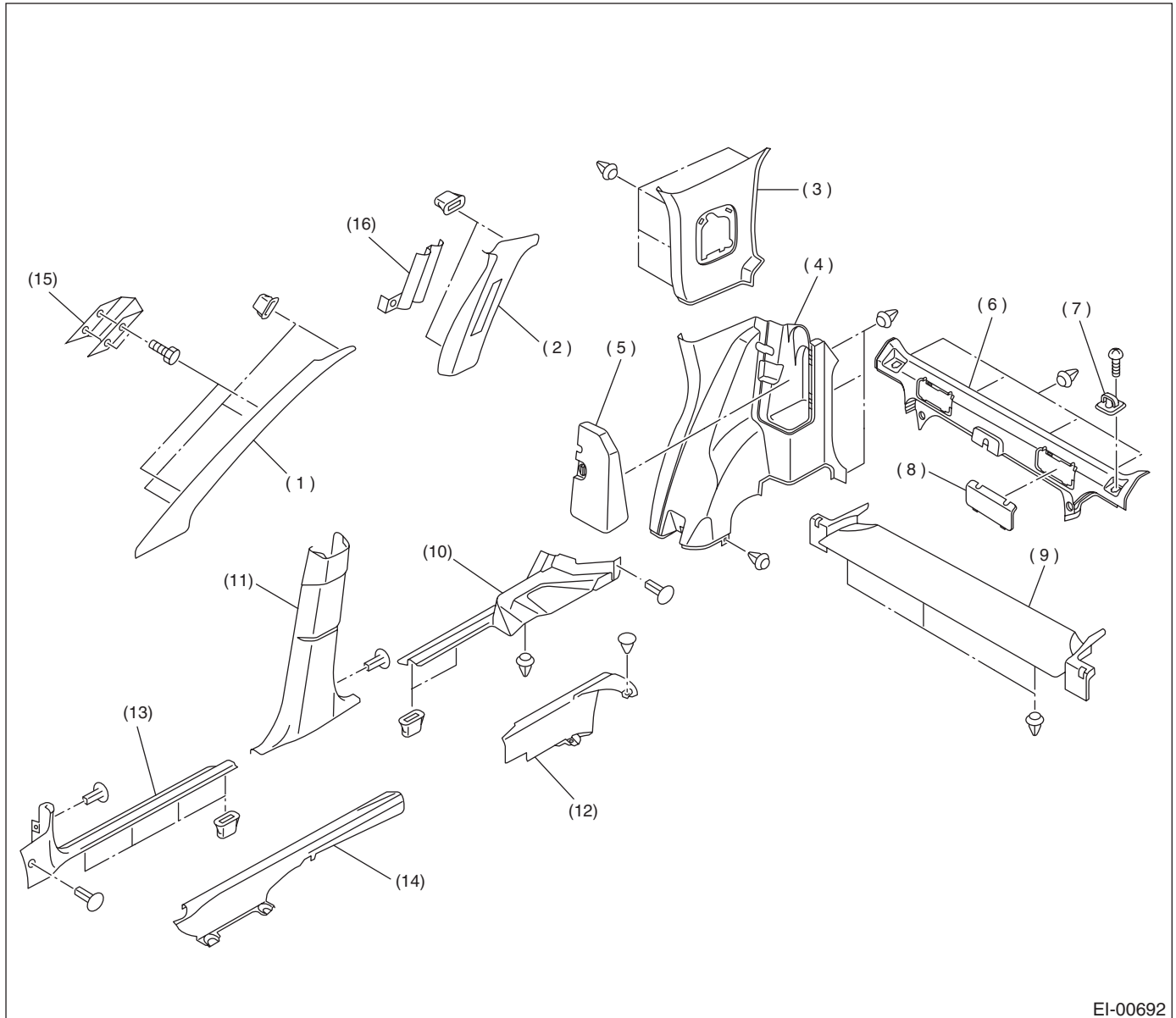


- (1) Gusset cover
- (2) Bracket
- (3) Weatherstrip upper

- (4) Clip
- (5) Pad
- (6) Trim panel

- (7) Power window switch cover
- (8) Weatherstrip lower

6. INNER TRIM



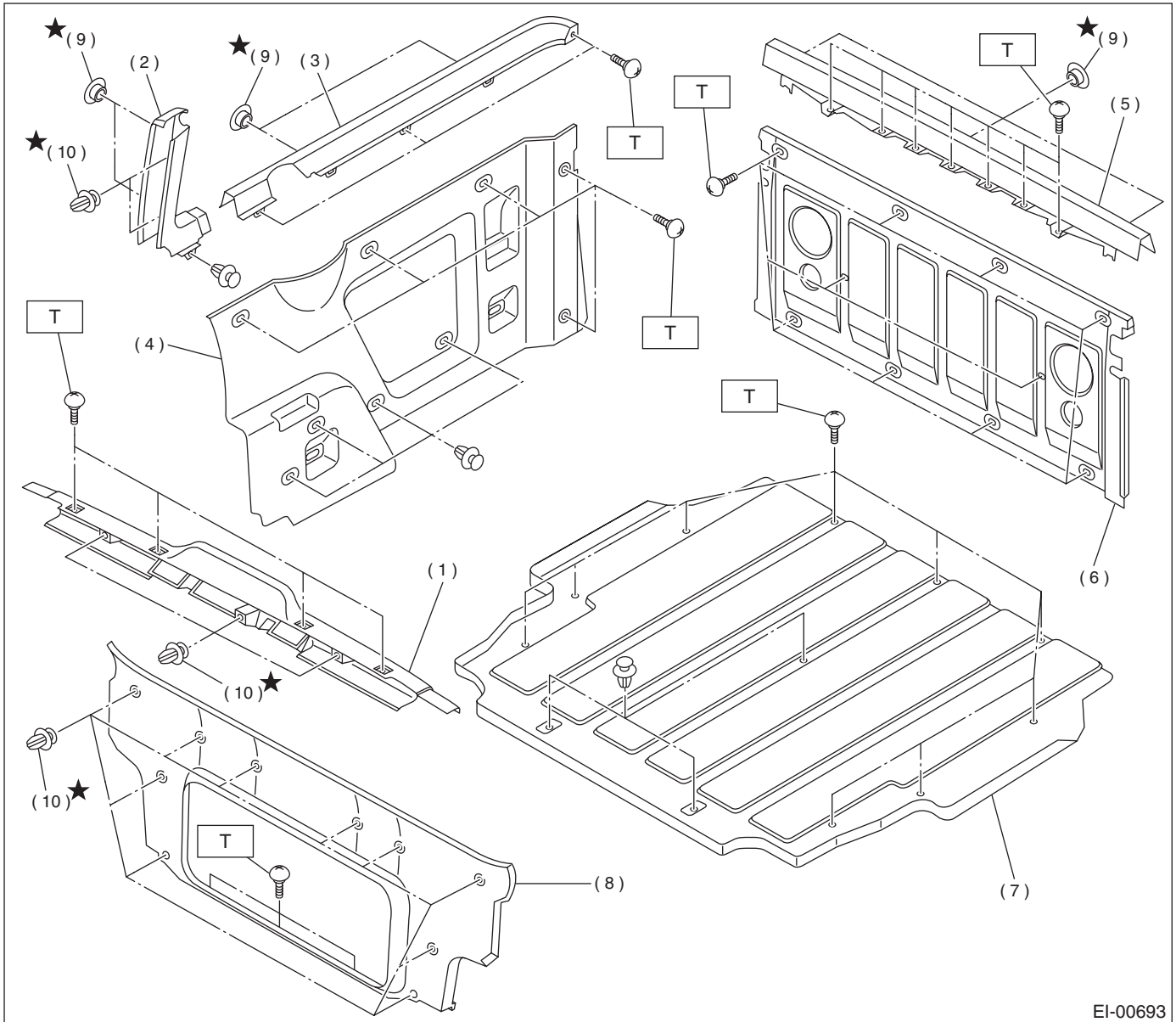
EI-00692

- | | | |
|------------------------------|---------------------------------|----------------------------------|
| (1) Front pillar upper trim | (7) Hook | (13) Front pillar lower trim |
| (2) Center pillar upper trim | (8) Cover | (14) Side sill front lower cover |
| (3) Rear pillar upper trim | (9) Floor trim panel | (15) Pad stopper A pillar |
| (4) Rear pillar lower trim | (10) Side sill rear upper cover | (16) Pad B pillar upper |
| (5) Lid | (11) Center pillar lower trim | |
| (6) Rear bulk head trim | (12) Side sill rear lower cover | |

GENERAL DESCRIPTION

EXTERIOR/INTERIOR TRIM

7. CARGO BED TRIM



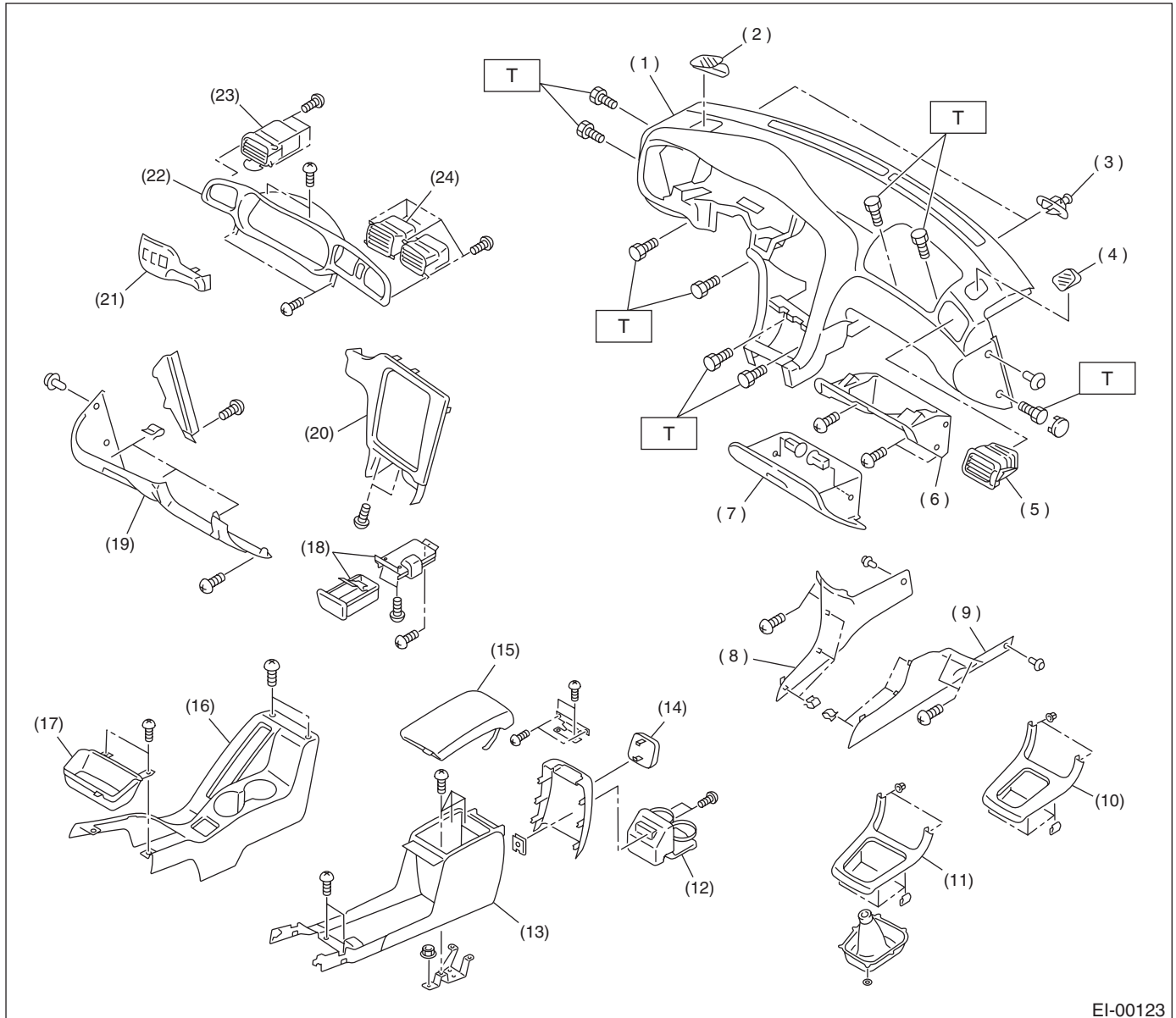
EI-00693

- | | |
|--------------------------------|--------------------------|
| (1) Cargo bed upper molding | (6) Tail gate tray |
| (2) Cargo bed C pillar molding | (7) Cargo bed floor tray |
| (3) Cargo bed side molding | (8) Back panel tray |
| (4) Cargo bed side tray | (9) Clip |
| (5) Tail gate molding | (10) Clip |

Tightening torque: N·m (kgf·m, ft·lb)

T: 7.5 (0.76, 5.53)

8. INSTRUMENT PANEL



EI-00123

- | | | |
|---------------------------|-----------------------|----------------------|
| (1) Pad & frame | (11) Front cover (MT) | (21) Switch panel |
| (2) Grille side (D) | (12) Rear cup holder | (22) Meter visor |
| (3) Hook | (13) Console box | (23) Grille vent (D) |
| (4) Grille side (P) | (14) Cap | (24) Grille center |
| (5) Grille vent (P) | (15) Console lid | |
| (6) Glove box panel | (16) Console cover | |
| (7) Glove box lid | (17) Tray | |
| (8) Center panel side (D) | (18) Ash tray | |
| (9) Center panel side (P) | (19) Lower cover | |
| (10) Front cover (AT) | (20) Center panel | |

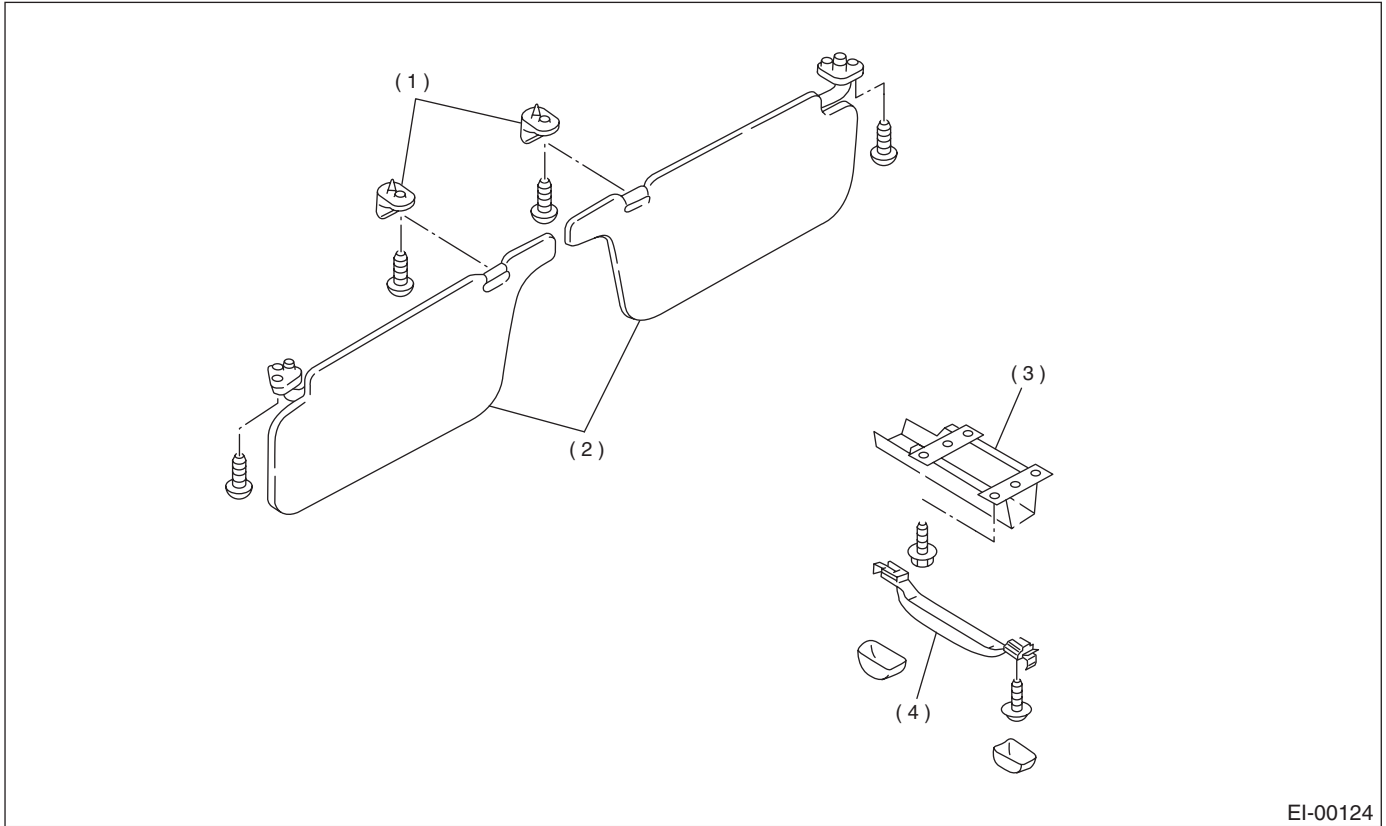
Tightening torque: N·m (kgf·m, ft·lb)

T: 7 (0.7, 5.1)

GENERAL DESCRIPTION

EXTERIOR/INTERIOR TRIM

9. INNER ACCESSORIES

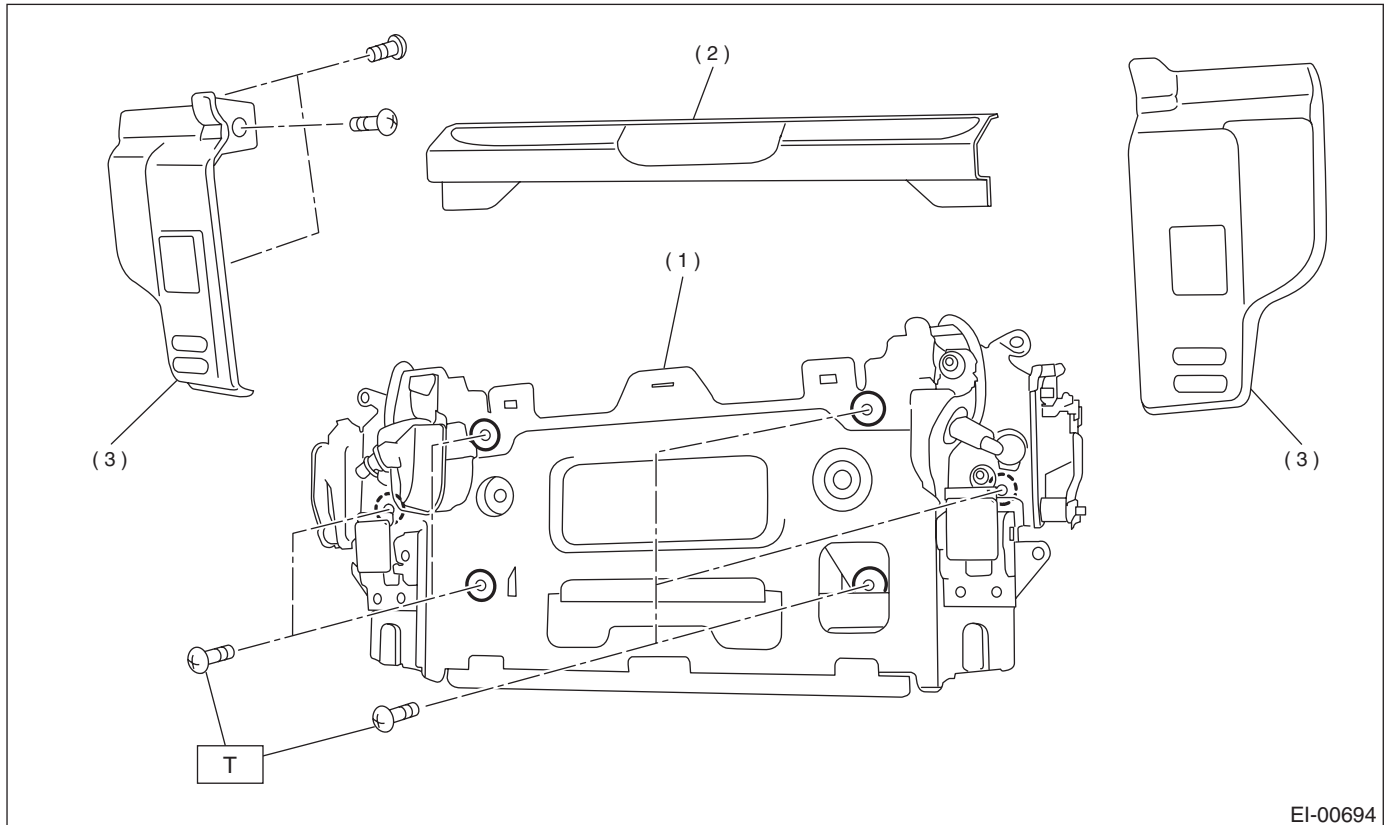


EI-00124

- (1) Hook
- (2) Sun visor

- (3) Pad side rail
- (4) Assist grip

10.LICENSE PLATE BRACKET



- (1) License plate bracket
- (2) Upper cover

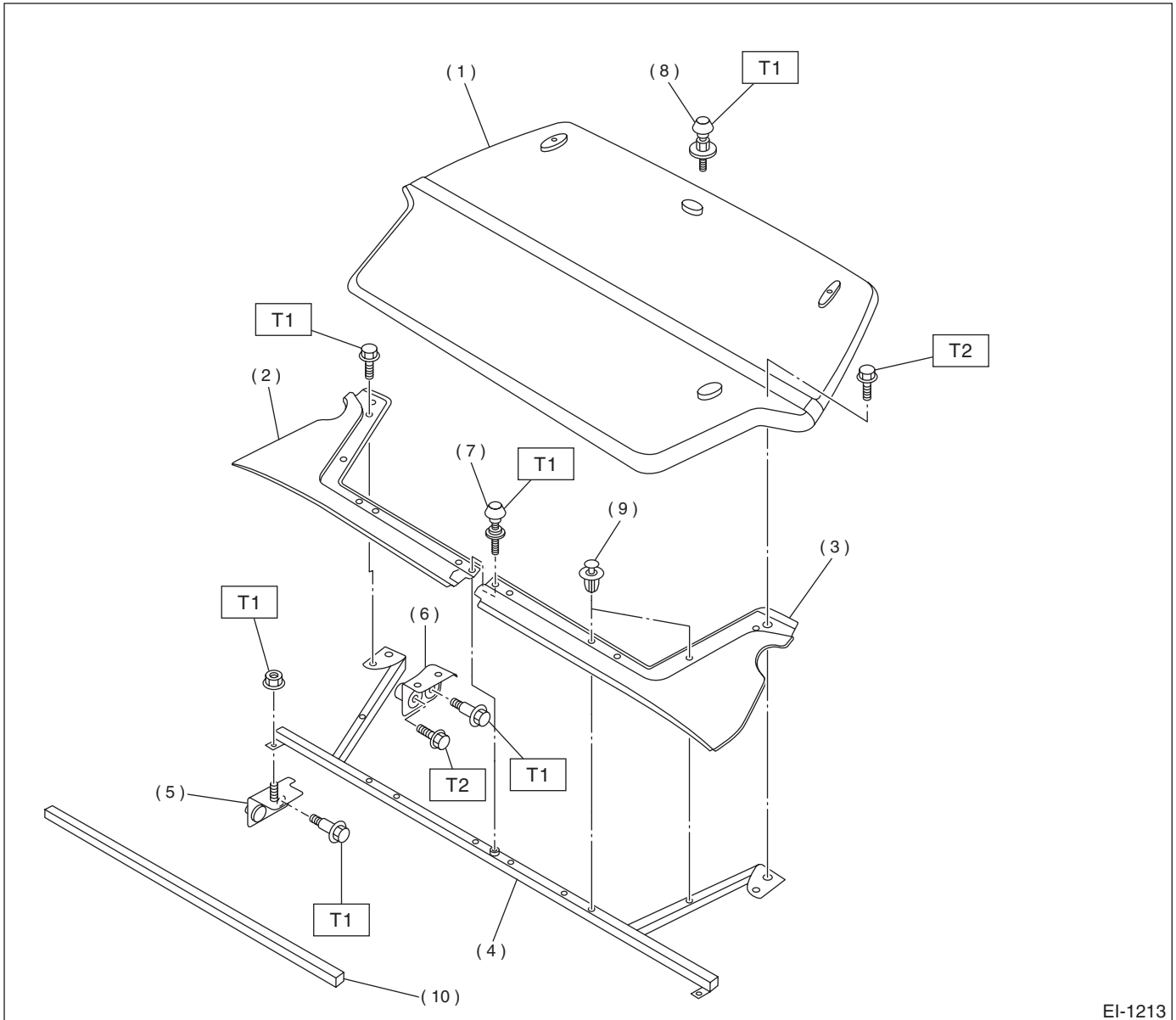
- (3) Side cover

Tightening torque: N-m (kgf-m, ft-lb)
T: 7.5 (0.76, 5.53)

GENERAL DESCRIPTION

EXTERIOR/INTERIOR TRIM

11.HARD BED COVER



EI-1213

- | | |
|--------------------|-------------------|
| (1) Hard bed cover | (6) Rear bracket |
| (2) Front cover RH | (7) Front striker |
| (3) Front cover LH | (8) Rear striker |
| (4) Crossbar | (9) Clip |
| (5) Front bracket | (10) Seal |

Tightening torque: N·m (kgf·m, ft·lb)

T1: 7.5 (0.76, 5.53)

T2: 70 (7.1, 52)

GENERAL DESCRIPTION

EXTERIOR/INTERIOR TRIM

B: PREPARATION TOOL

TOOL NAME	REMARKS
Clip remover	Used for removal of trim.
Adhesive remover	Used for removal of side protector.
Primer	Used for installation of side protector.
Infrared lamp	Used for disassembly/assembly of side protector.
Tow-sided tape	Used for installation of side protector.
TORX® T30	Used for disassembly/assembly of crossbar, removal/installation of cargo bed.
TORX® T25	Used for removal/installation of cargo bed.