

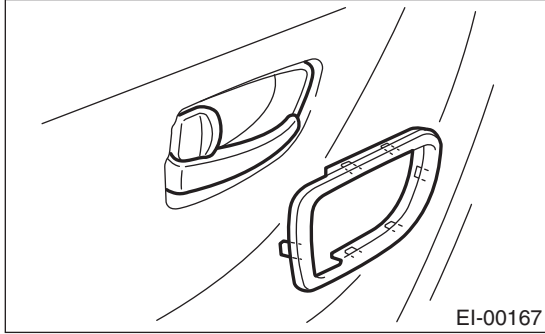
12. Front Door Trim

A: REMOVAL

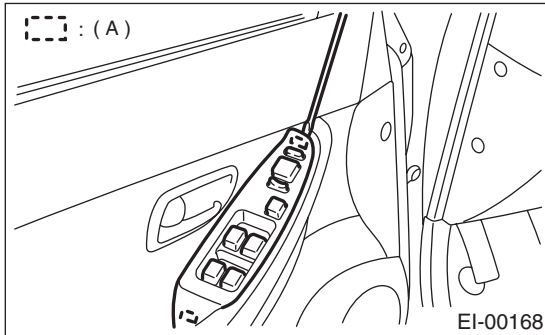
CAUTION:

Do not apply excessive force to clip. Otherwise the clip may be broken.

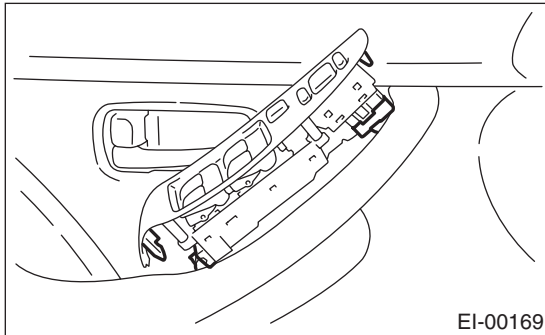
1) Pull up inner remote cover toward you to remove upper hook. Pull down it to remove lower claw. Remove inner remote cover.



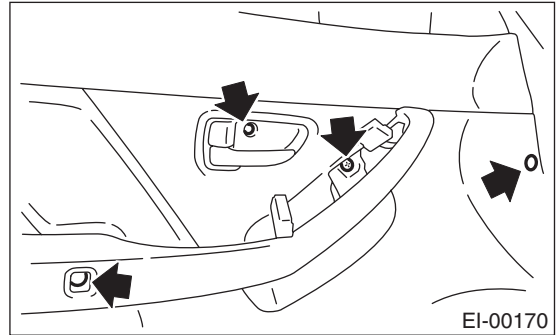
2) Remove two hook (A) of switch panel to remove power window main switch.



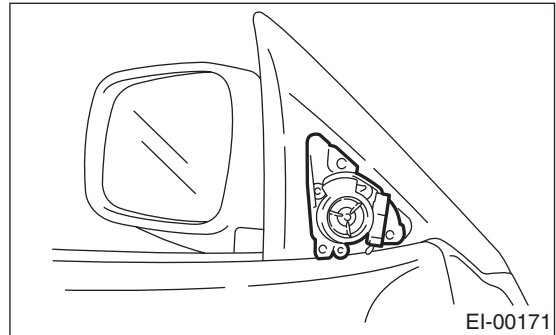
3) Disconnect electrical connectors from power window main switch and mirror switch.



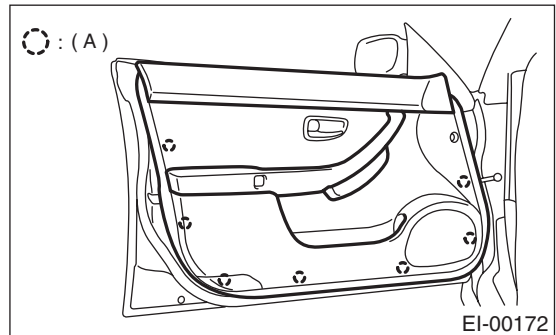
4) Remove three screws and clips.



5) Remove gusset cover. Disconnect electrical connectors to remove speaker.



6) Remove seven clips (A) of trim panel using clip remover to remove trim panel.



B: INSTALLATION

Install in the reverse order of removal.