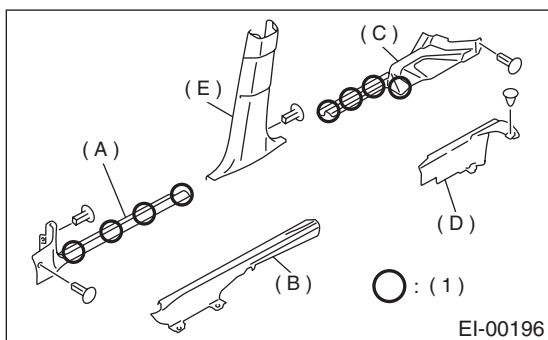


19. Lower Inner Trim

A: REMOVAL

- 1) Remove front pillar lower trim (A).
- 2) Remove side sill front lower cover (B).
- 3) Remove rear seat cushion <Ref. to SE-14, REMOVAL, Rear Seat.>, then remove side sill rear upper cover (C).
- 4) Remove side sill rear lower cover (D).
- 5) Remove center pillar lower trim (E).



(1) Hook pawl

B: INSTALLATION

Install in the reverse order of removal.

CAUTION:

Be sure to securely hook pawls of inner trim panel to body flange.