

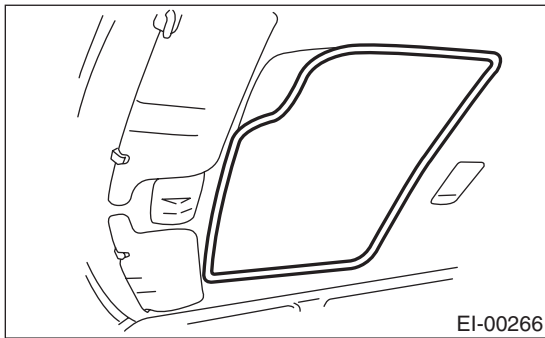
21. Roof Trim

A: REMOVAL

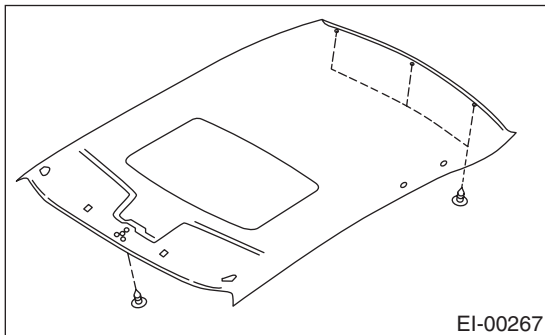
CAUTION:

When removing clip, use great care not to damage the roof trim.

- 1) Disconnect ground cable from battery.
- 2) Remove sunroof switch. <Ref. to SR-10, REMOVAL, Sunroof Switch.>
- 3) Remove room light. <Ref. to LI-27, REMOVAL, Room Light.>
- 4) Remove sun visor and hook. <Ref. to EI-43, REMOVAL, Sun Visor.>
- 5) Remove assist grip.
- 6) Remove sunroof garnish.



- 7) Remove rear pillar upper trim. <Ref. to EI-52, REMOVAL, Rear Pillar Trim.>
- 8) Remove clip and roof trim.



B: INSTALLATION

Install in the reverse order of removal.