

22.Floor Mat

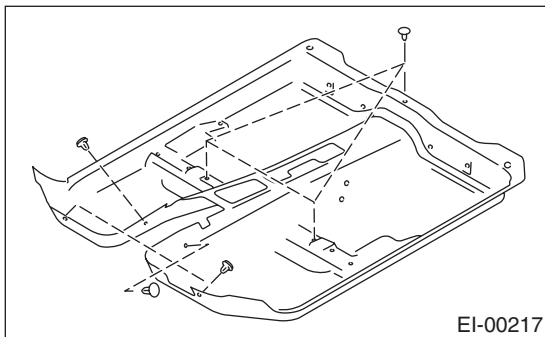
A: REMOVAL

- 1) Remove front seats. <Ref. to SE-6, REMOVAL, Front Seat.>
- 2) Remove rear seat cushion. <Ref. to SE-14, REMOVAL, Rear Seat.>
- 3) Remove console box. <Ref. to EI-36, Console Box.>
- 4) Remove front pillar lower trim, side sill rear upper cover and center pillar lower trim. <Ref. to EI-42, REMOVAL, Lower Inner Trim.>
- 5) Remove clips from floor mat.

NOTE:

When pulling out edge, do not pull mat alone; pull mat together with edge. Ply off two steel clips on side sill front cover and one on side sill rear cover using screwdriver.

- 6) Remove mat hook.
- 7) Remove mat from toe board area.
- 8) Remove mat from rear heater duct.
- 9) Roll mat, and then take it out of opened rear door.



B: INSTALLATION

Install in the reverse order of removal.

NOTE:

- Secure mat firmly with hook and Velcro tape.
- Insert mat edge firmly into the groove of side sill cover.