

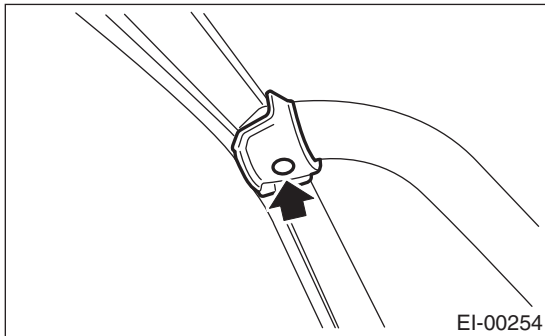
CARGO BED C PILLAR MOLDING

EXTERIOR/INTERIOR TRIM

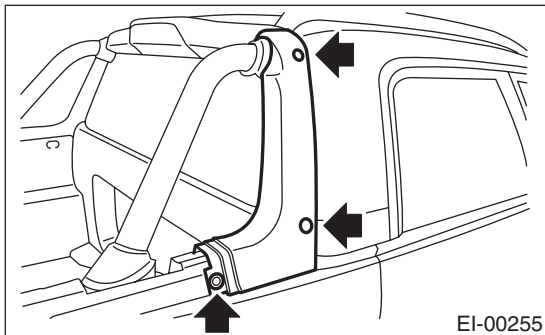
25. Cargo Bed C Pillar Molding

A: REMOVAL

- 1) Remove cargo bed side tray. <Ref. to EI-46, REMOVAL, Cargo Bed Side Tray.>
- 2) Remove cargo bed side molding. <Ref. to EI-47, REMOVAL, Cargo Bed Side Molding.>
- 3) Remove clip and luggage pipe upper cover.



- 4) Remove clip and cargo bed C pillar molding.

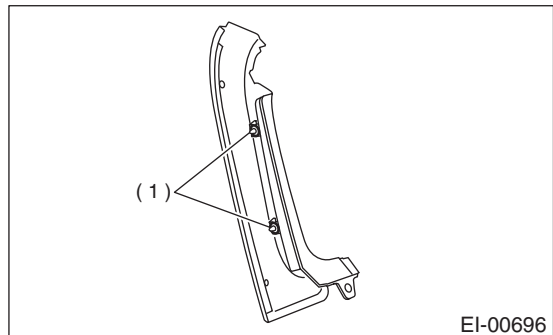


NOTE:

Do not reuse the removed clips; use new ones.

B: INSTALLATION

- 1) Replace all clips on the reverse of cargo bed C pillar molding with new ones.



(1) Clip

- 2) Install in the reverse order of removal.

Tightening torque:

Cargo bed side molding;

7.5 N·m (0.76 kgf-m, 5.53 ft-lb)

Cargo bed side tray;

7.5 N·m (0.76 kgf-m, 5.53 ft-lb)