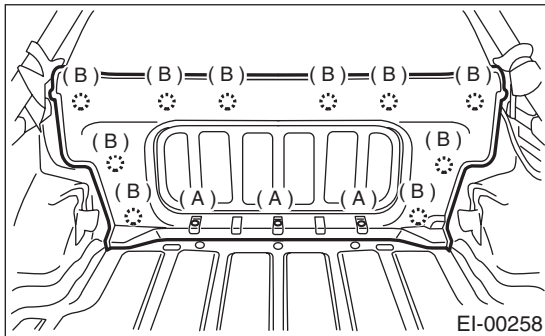


## 27. Back Panel Tray

### A: REMOVAL

- 1) Remove cargo bed side tray. <Ref. to EI-46, REMOVAL, Cargo Bed Side Tray.>
- 2) Remove cargo bed side molding. <Ref. to EI-47, REMOVAL, Cargo Bed Side Molding.>
- 3) Remove cargo bed C pillar molding. <Ref. to EI-48, REMOVAL, Cargo Bed C Pillar Molding.>
- 4) Remove screw and back panel tray.



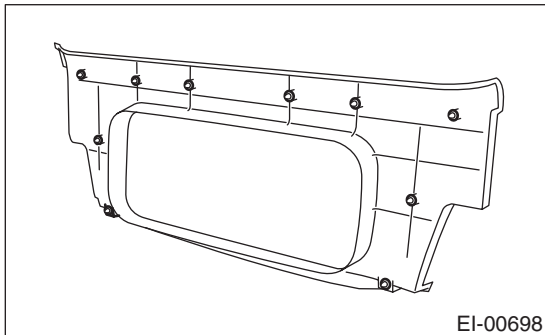
- (A) Screw
- (B) Clip

### NOTE:

Do not reuse the removed clips; use new ones.

### B: INSTALLATION

- 1) Replace all clips on the reverse of back panel tray with new ones.



- 2) Install in the reverse order of removal.

### Tightening torque:

- Cargo bed side molding;**  
**7.5 N-m (0.76 kgf-m, 5.53 ft-lb)**
- Cargo bed side tray;**  
**7.5 N-m (0.76 kgf-m, 5.53 ft-lb)**