

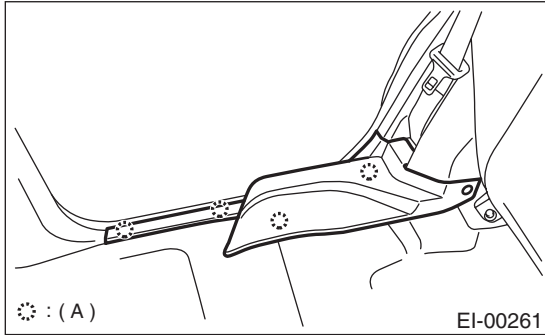
REAR PILLAR TRIM

EXTERIOR/INTERIOR TRIM

29. Rear Pillar Trim

A: REMOVAL

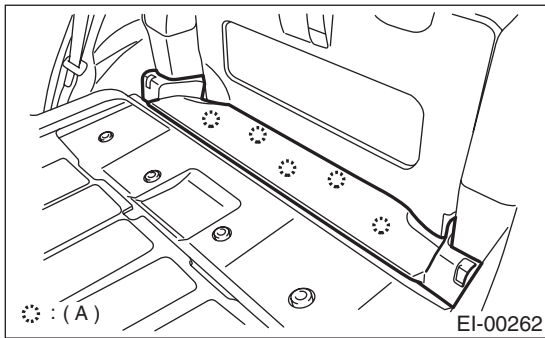
1) Remove side sill rear upper cover.



(A) Clip

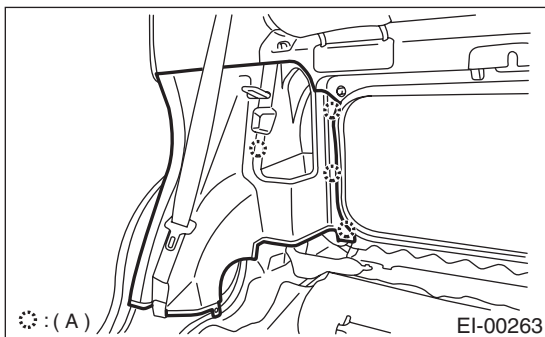
2) Fold rear seat backrest.

3) Remove floor trim panel.



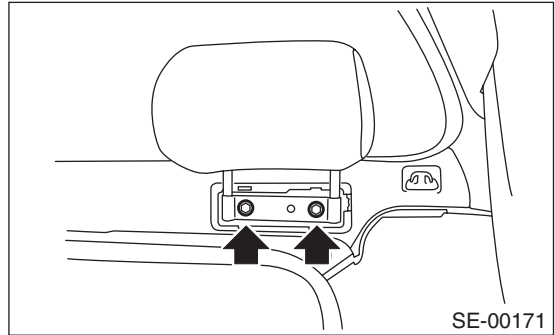
(A) Clip

4) Remove rear pillar lower trim.

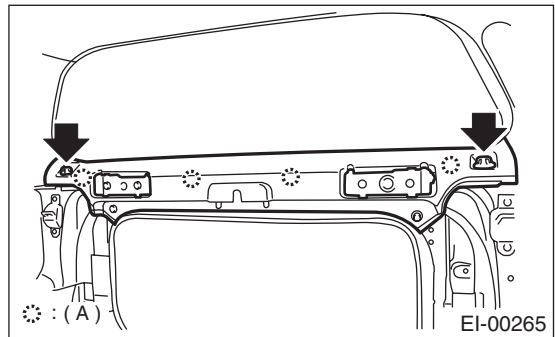


(A) Clip

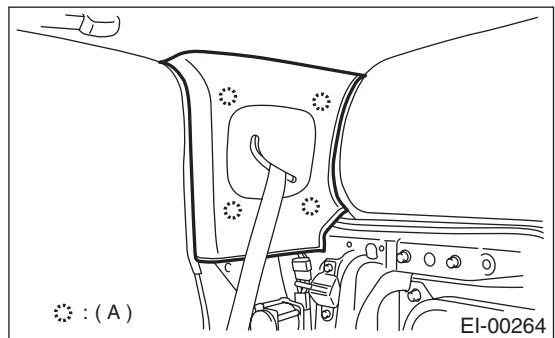
5) Remove rear seat pillow.



6) Remove cargo net hook and remove rear bulkhead trim.



7) Remove rear pillar upper trim.



(A) Clip

B: INSTALLATION

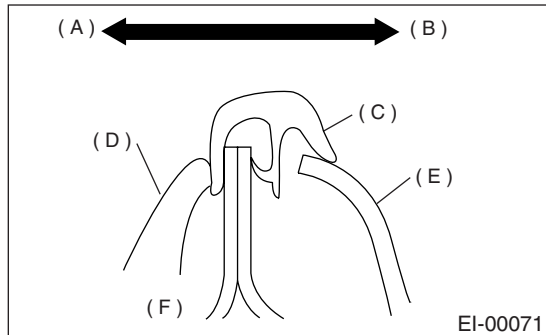
Install in the reverse order of removal.

CAUTION:

Make sure that trim panel claw is aligned with body flange.

NOTE:

When installing upper trim, make sure to install molding as shown in the figure.



- (A) Outside
- (B) Inside
- (C) Molding
- (D) Weatherstrip
- (E) Trim
- (F) Body panel