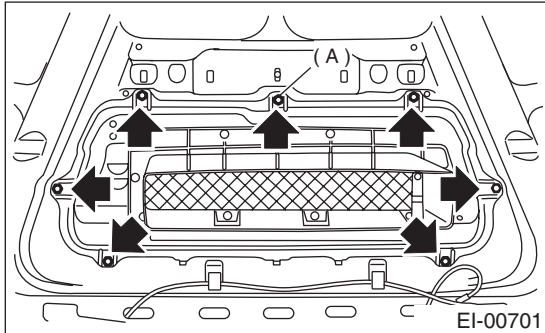


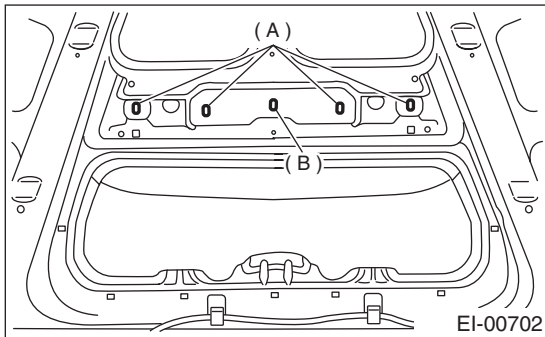
3. Hood Grille

A: REMOVAL

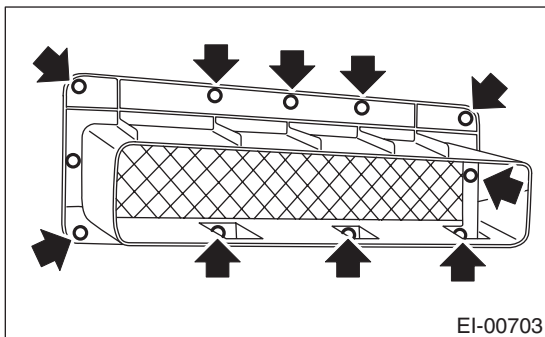
- 1) Remove hood insulator.
- 2) Remove six bolts and clip (A) to remove hood duct.



- 3) Loosen the nut (B), remove four clips (A), and then remove hood grille.



- 4) Remove eleven clips to remove air duct.

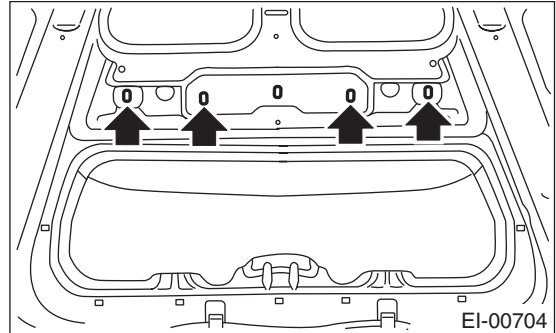


B: INSTALLATION

- 1) Engage four clips of hood grille to front hood panel.

CAUTION:

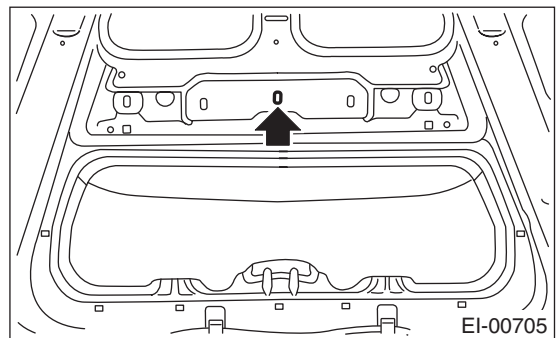
Make sure that the anchor portion of each clip is firmly engaged.



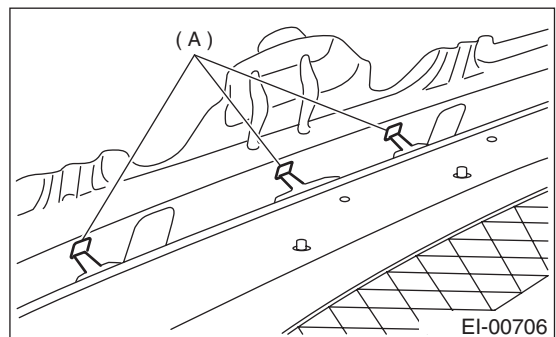
- 2) Install a nut.

Tightening torque:

4.5 N-m (0.46 kgf-m, 3.32 ft-lb)



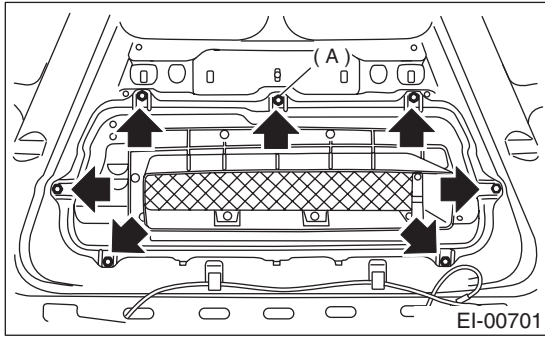
- 3) Catch three hooks (A) of hood duct to hood holes.



HOOD GRILLE

EXTERIOR/INTERIOR TRIM

4) Install hood duct with clip (A) and six bolts.



5) Install the hood insulator with new clips.

C: INSPECTION

Make sure that clips are firmly engaged.

Make sure that there is no abnormal gap at whole periphery of hood grille.

Make sure that there is no damage on hood grille.