

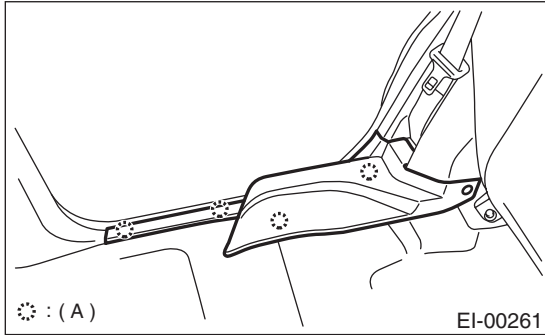
# REAR BULKHEAD TRIM

EXTERIOR/INTERIOR TRIM

## 30.Rear Bulkhead Trim

### A: REMOVAL

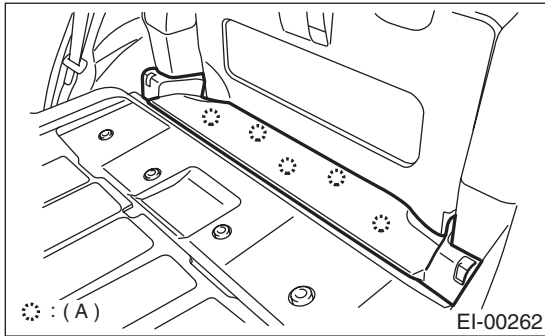
1) Remove side sill rear upper cover.



(A) Clip

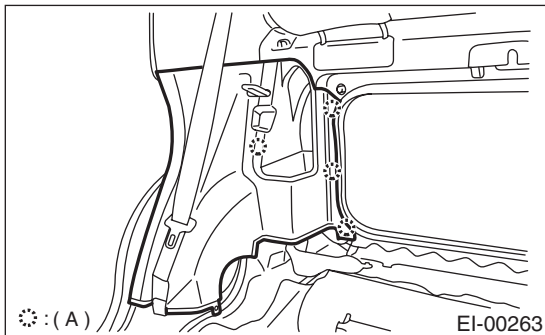
2) Fold rear seat backrest.

3) Remove floor trim panel.



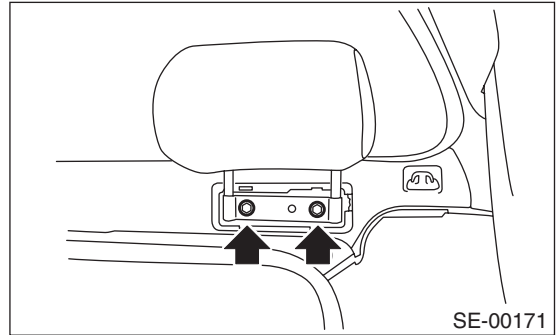
(A) Clip

4) Remove rear pillar lower trim.

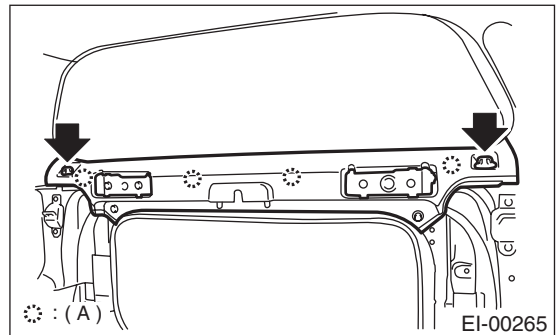


(A) Clip

5) Remove rear seat pillar.



6) Remove cargo net hook and rear bulkhead trim.



(A) Clip

### B: INSTALLATION

Install in the reverse order of removal.

#### CAUTION:

Make sure that trim panel claw is securely installed on body panel.