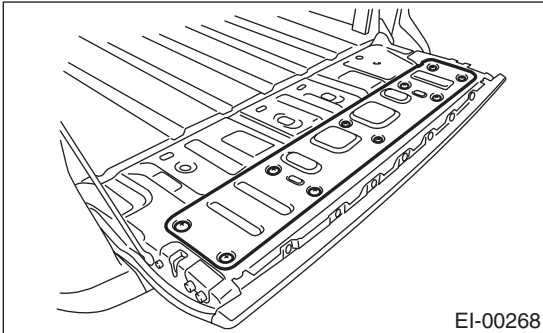


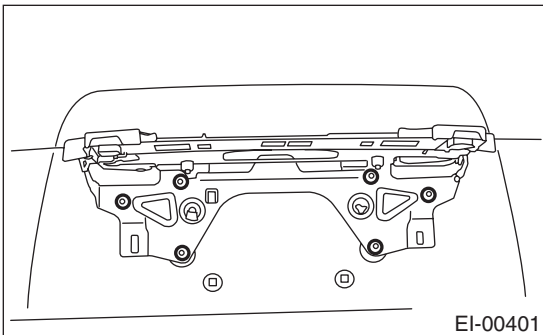
31. Tail Gate Garnish

A: REMOVAL

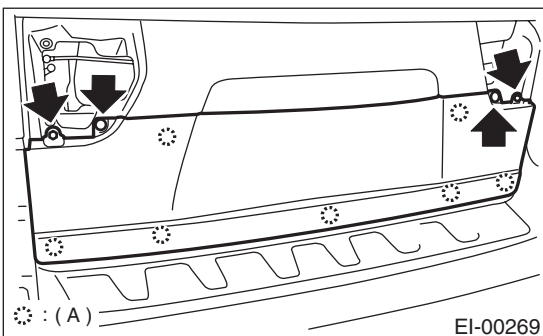
- 1) Remove tail gate tray. <Ref. to EI-56, REMOVAL, Tail Gate Tray.>
- 2) Remove tail gate cover.



- 3) Remove rear finisher light. <Ref. to LI-20, REMOVAL, Rear Finisher Light Assembly.>
- 4) Remove license plate bracket using TORX® bit T25.



- 5) Remove clip and bolt and detach tail gate garnish.



(A) Clip

B: INSTALLATION

Install in the reverse order of removal.