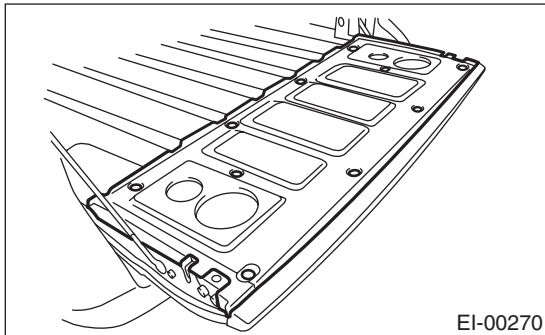


## 32.Tail Gate Tray

### A: REMOVAL

- 1) Open tail gate.
- 2) Remove bolt using TORX® bit T25.



### B: INSTALLATION

Install in the reverse order of removal.

#### *Tightening torque:*

***7.5 N·m (0.76 kgf-m, 5.53 ft-lb)***