

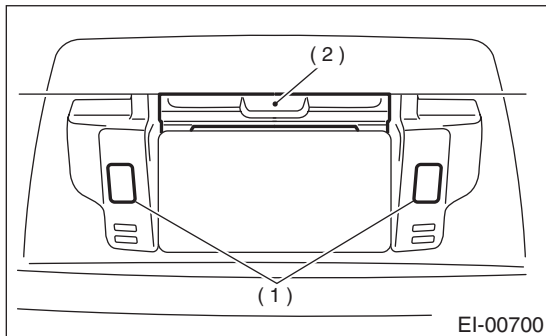
LICENSE PLATE BRACKET

EXTERIOR/INTERIOR TRIM

34. License Plate Bracket

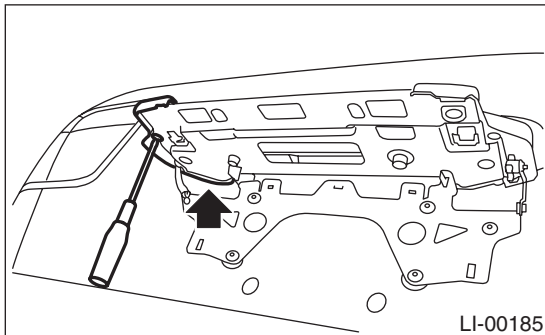
A: REMOVAL

1) Push release button to release the lock. Remove upper cover.

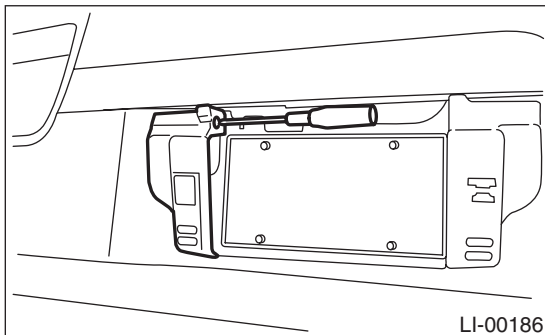


- (1) Release button
- (2) Upper cover

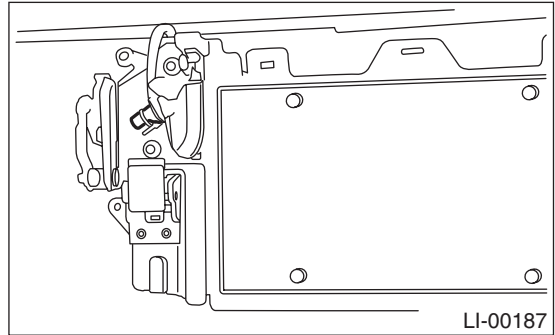
2) Lift up license plate bracket and remove bolts on the reverse



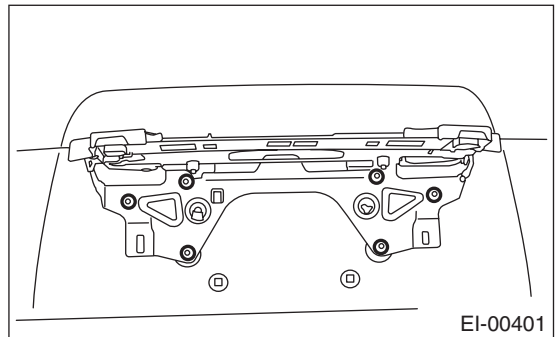
3) Return license plate bracket to its original position and remove bolts.



4) Remove side cover by turning socket.



5) Lift up license plate bracket. Remove bolts using TORX® bit T25.



B: INSTALLATION

Install in the reverse order of removal.

Tightening torque:

7.5 N·m (0.76 kgf·m, 5.53 ft·lb)