

REAR BUMPER

EXTERIOR/INTERIOR TRIM

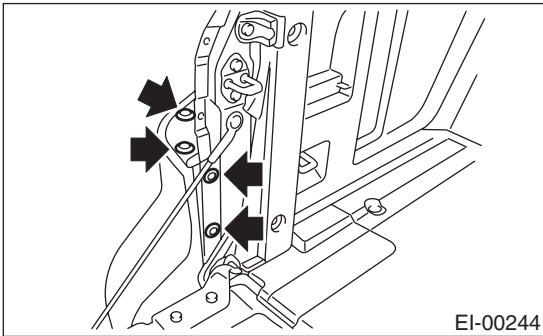
6. Rear Bumper

A: REMOVAL

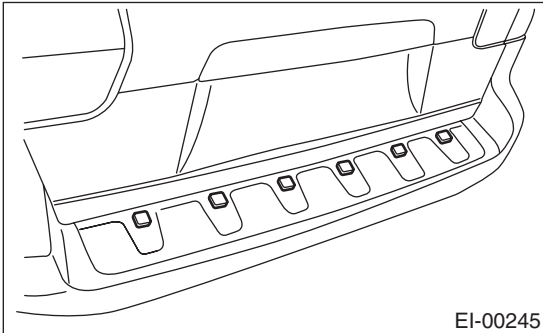
CAUTION:

- Handle bumper carefully to avoid damage to bumper face.
- Do not damage body during removal or installation of bumper.
- To avoid damage to bumper, lay removed bumper on sheet spread on the floor. Do not lay it directly on the floor.

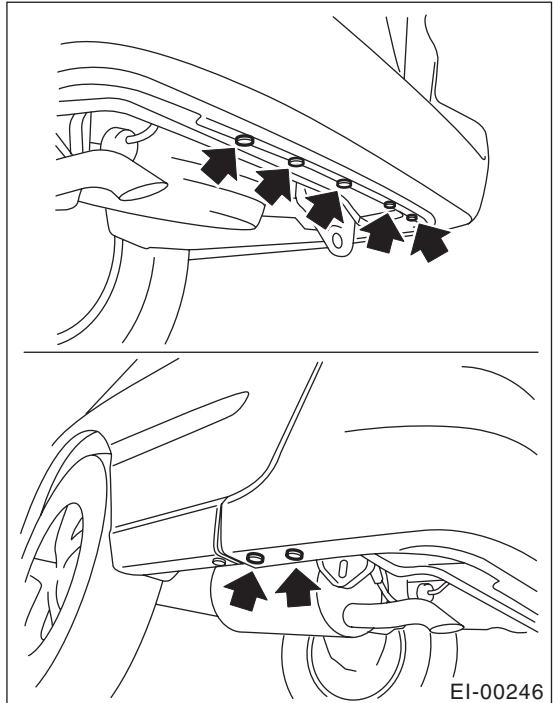
- 1) Remove rear combination light. <Ref. to LI-19, REMOVAL, Rear Combination Light Assembly.>
- 2) Remove clip.



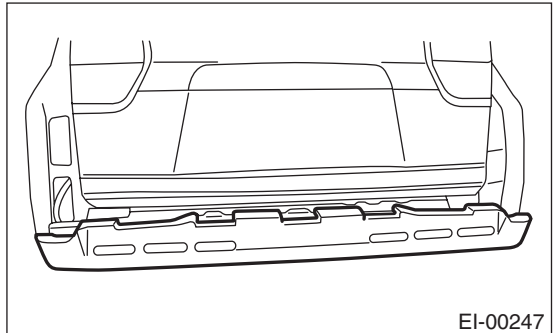
- 3) Remove clip.



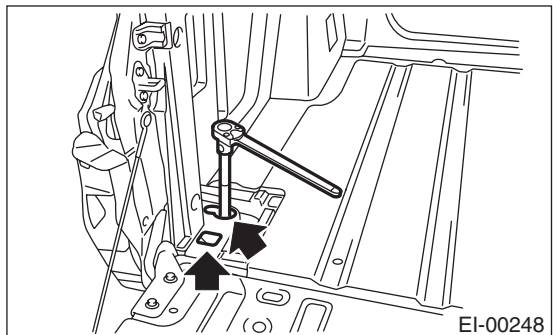
- 4) Remove clip.



- 5) Remove bumper face.
- 6) Remove Bumper energy absorber.



- 7) Remove bolt and bumper beam.

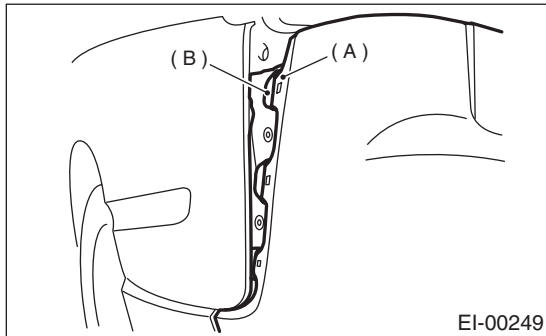


B: INSTALLATION

CAUTION:

- Handle bumper carefully to avoid damage to bumper face.
- Do not damage body during removal or installation of bumper.

- 1) Install in the reverse order of removal.
- 2) Securely fix bumper edge portion (A) to side bracket (B).



Tightening torque:

Bumper beam; 95 N·m (9.7 kgf-m, 70 ft-lb)

C: REPAIR

Refer to front bumper repair. <Ref. to EI-18, REMOVAL, Front Bumper.>