

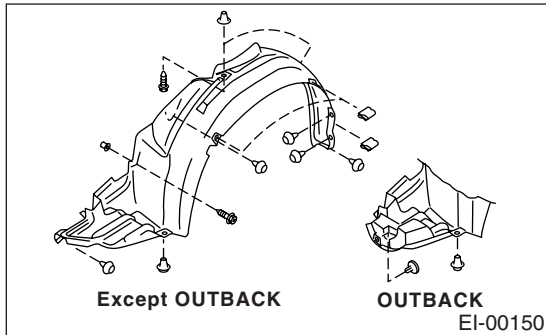
MUD GUARD

EXTERIOR/INTERIOR TRIM

7. Mud Guard

A: REMOVAL

- 1) Jack-up the vehicle.
- 2) Remove screws and clips to remove mud guard.



B: INSTALLATION

Insert hook into body, and tighten it with screw and clip.