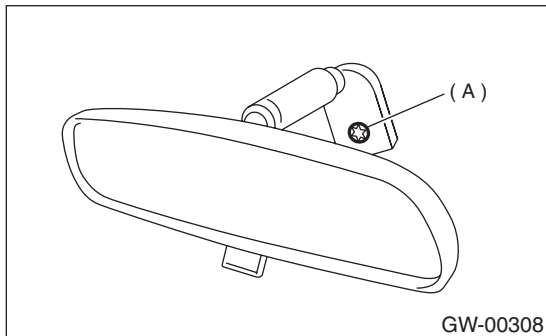


13.Inner Rearview Mirror

A: REMOVAL

Loosen TORX screw (A) and remove the inner rearview mirror.



(1) TORX screw

CAUTION:

Be careful not to damage the mirror surface.

B: INSTALLATION

Install in the reverse order of removal.

C: INSPECTION

Do not let mirror be damaged.