

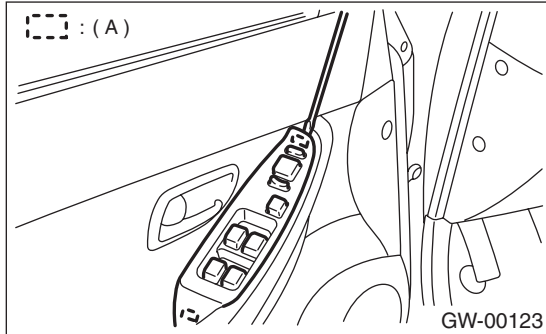
REMOTE CONTROL MIRROR SWITCH

GLASS/WINDOWS/MIRRORS

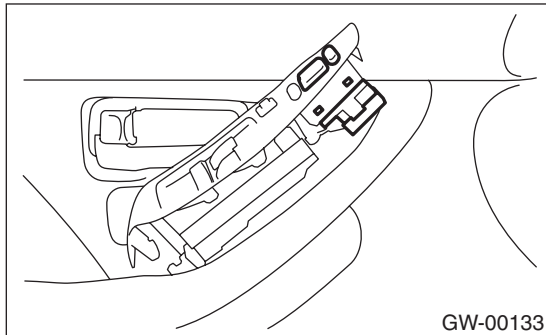
19. Remote Control Mirror Switch

A: REMOVAL

1) Remove power window main switch panel.



2) Remove four hook (A) to remove remote control mirror switch.

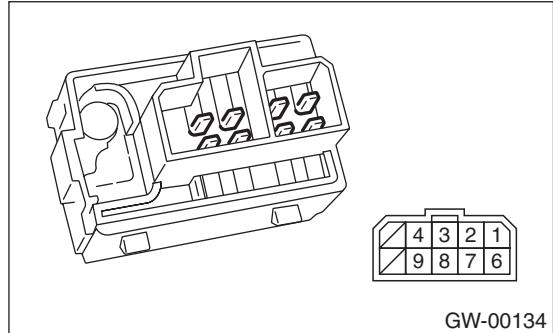


B: INSTALLATION

Install in the reverse order of removal.

C: INSPECTION

Move remote control mirror switch to each position and check continuity between terminals.



Change over switch left position:

Switch position	Terminal No.	Standard
OFF	—	More than 1 MΩ
UP	7 and 4, 2 and 1	Less than 1 Ω
DOWN	7 and 2, 4 and 1	Less than 1 Ω
LEFT	9 and 4, 2 and 1	Less than 1 Ω
RIGHT	9 and 2, 4 and 1	Less than 1 Ω

Change over switch right position:

Switch position	Terminal No.	Standard
OFF	—	More than 1 MΩ
UP	6 and 4, 2 and 1	Less than 1 Ω
DOWN	6 and 2, 4 and 1	Less than 1 Ω
LEFT	8 and 4, 2 and 1	Less than 1 Ω
RIGHT	8 and 2, 4 and 1	Less than 1 Ω

If defective, replace the switch.