

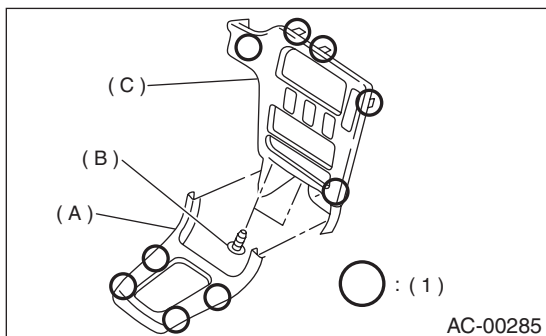
CONTROL UNIT

HVAC SYSTEM (HEATER, VENTILATOR AND A/C)

11. Control Unit

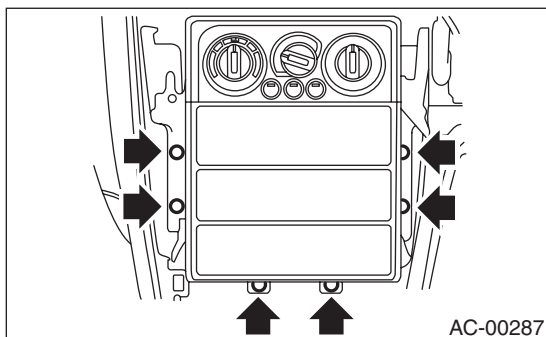
A: REMOVAL

- 1) Disconnect ground cable from battery.
- 2) Remove front cover (A).
- 3) Loosen 2 screws (B) to remove center panel (C).



(1) Hook pawl

- 4) Set temperature control switch to "FULL HOT", and disconnect temperature control cable from heater unit.
- 5) Loosen screws to pull control unit slightly out of center console.



- 6) Disconnect connector from antenna cable to remove control unit.

B: INSTALLATION

- 1) Install in the reverse order of removal.
- 2) Before installation, set temperature control switch to "FULL HOT".