

6. Fuel Gauge

A: REMOVAL

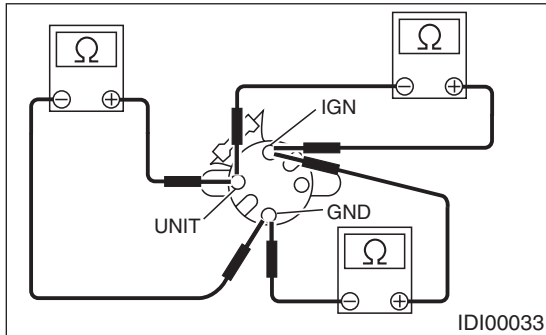
Disassemble combination meter, and then remove speedometer and fuel gauge assembly. <Ref. to IDI-13, DISASSEMBLY, Combination Meter Assembly.>

B: INSTALLATION

Install in the reverse order of removal.

C: INSPECTION

Measure fuel gauge resistance.



Terminal	Resistance
Terminals IGN and GND	$170 \pm 10 \Omega$
Terminals IGN and UNIT	$35 \pm 10 \Omega$
Terminals UNIT and GND	$136 \pm 10 \Omega$

If NG, replace speedometer and fuel gauge assembly.

If OK, replace combination meter printed circuit.