

# WATER TEMPERATURE GAUGE

INSTRUMENTATION/DRIVER INFO

## 7. Water Temperature Gauge

### A: REMOVAL

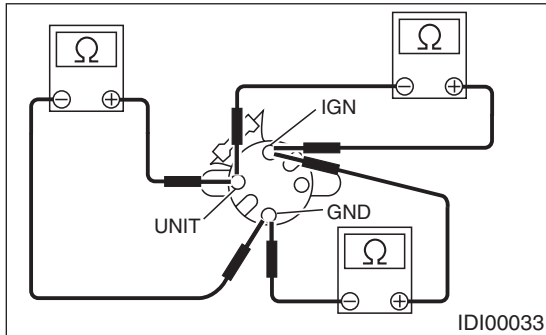
Disassemble combination meter, and then remove tachometer and water temperature gauge assembly. <Ref. to IDI-13, DISASSEMBLY, Combination Meter Assembly.>

### B: INSTALLATION

Install in the reverse order of removal.

### C: INSPECTION

Measure water temperature gauge resistance.



Terminal	Resistance
Terminals IGN and GND	$208 \pm 10 \Omega$
Terminals IGN and UNIT	$56 \pm 10 \Omega$
Terminals UNIT and GND	$264 \pm 10 \Omega$

If NG, replace tachometer and water temperature gauge assembly.

If OK, replace combination meter printed circuit.