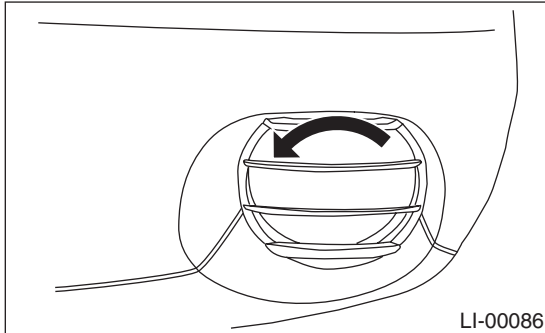


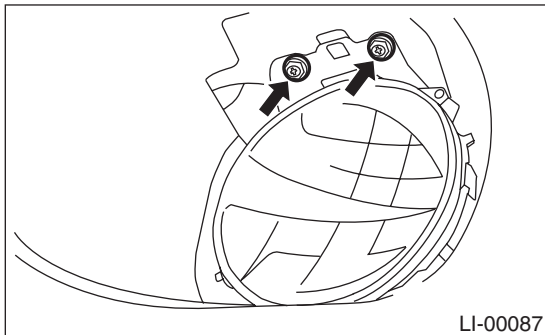
## 13. Front Fog Light Assembly

### A: REMOVAL

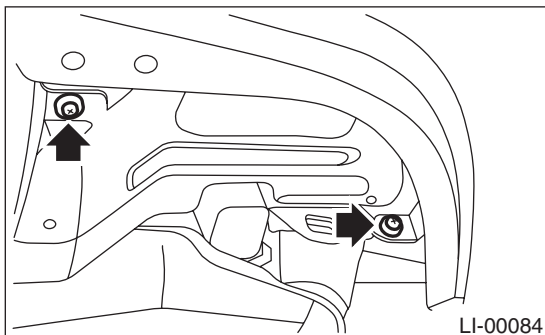
- 1) Disconnect ground cable from battery.
- 2) Turn stone guard counterclockwise, and then remove it.



- 3) Remove mounting bolts.

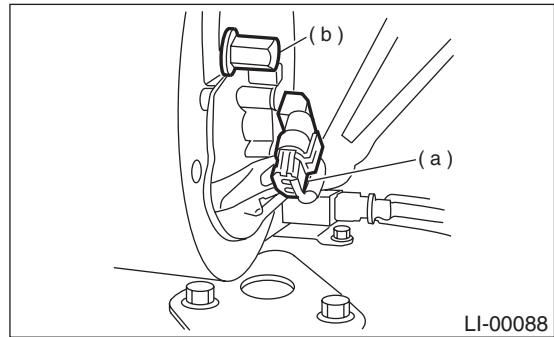


- 4) Remove two clips and lower the mudguard.



- 5) Disconnect harness connector (a).

- 6) Remove nut (b) then detach fog light assembly.



### B: INSTALLATION

Install in the reverse order of removal.