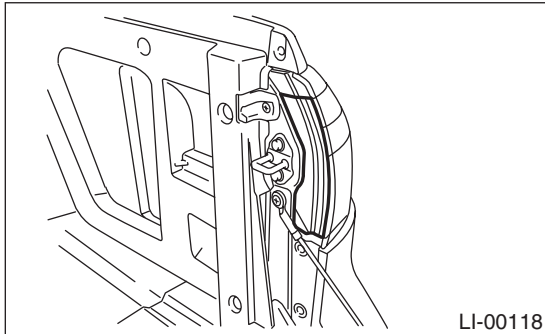


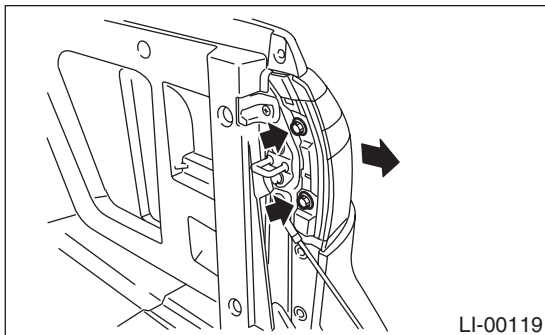
15. Rear Combination Light Assembly

A: REMOVAL

- 1) Disconnect ground cable from battery.
- 2) Open tail gate.
- 3) Remove bolt cover.



- 4) Remove bolt and detach rear combination light assembly by pulling to the rear.



B: INSTALLATION

Install in the reverse order of removal.