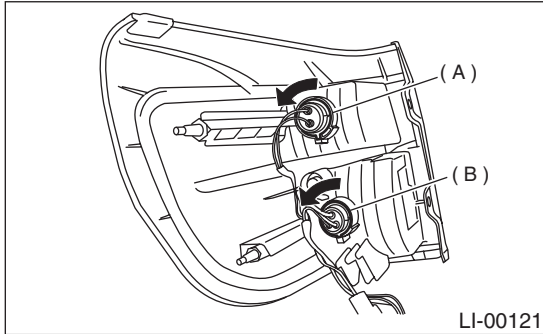


17. Brake/Tail Light Bulb

A: REMOVAL

1. COMBINATION LIGHT

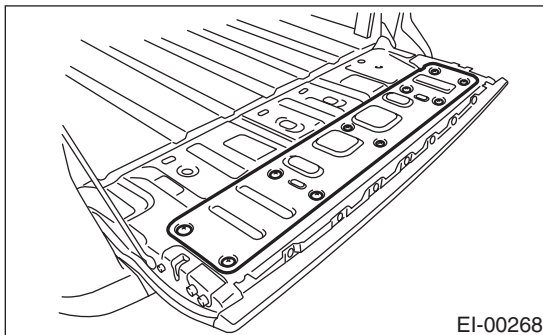
- 1) Remove combination light assembly. <Ref. to LI-19, REMOVAL, Rear Combination Light Assembly.>
- 2) Rotate the socket and remove the bulb.



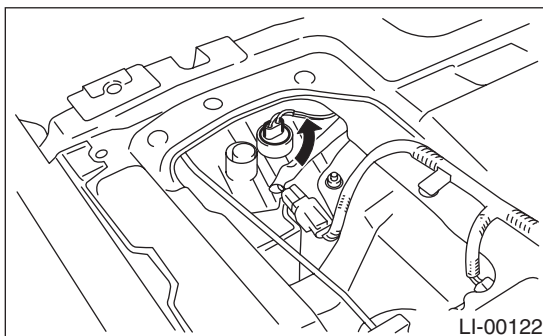
- (A) Back-up light bulb
(B) Brake/ Tail/ Rear turn signal light bulb

2. FINISHER LIGHT

- 1) Remove tail gate tray. <Ref. to EI-56, REMOVAL, Tail Gate Tray.>
- 2) Remove tail gate cover.



- 3) Rotate the socket and remove the bulb.



B: INSTALLATION

Install in the reverse order of removal.

C: INSPECTION

- 1) Visually check the bulb for blow out.

- 2) Check the bulb specification. <Ref. to LI-2, SPECIFICATIONS, General Description.>
- 3) If the requirement is not satisfied, replace it with a new one.