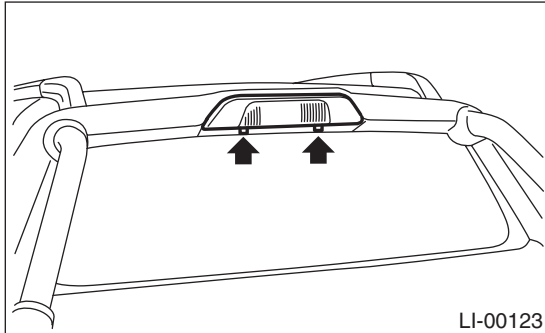


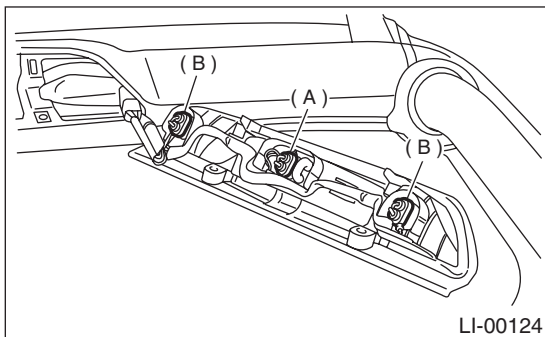
## 21.High-mounted Stop Light

### A: REMOVAL

- 1) Disconnect ground cable from battery.
- 2) Remove bolts, then detach high-mounted stop light assembly.



- 3) Turn the socket and remove the bulb.



- (A) High-mounted stop lamp  
(B) Cargo light bulb

### B: INSTALLATION

Install in the reverse order of removal.

### C: INSPECTION

- 1) Visually check the bulb for blow out.
- 2) Check the bulb specification. <Ref. to LI-2, SPECIFICATIONS, General Description.>
- 3) If the requirement is not satisfied, replace it with a new one.